

ProMax® SPECIALTY ELECTRIC

PROMAX® SPECIALTY ELECTRIC FEATURES

TABLE TOP ELECTRIC WATER HEATERS

Models feature convenient flat surface at 36" height, providing extra "counterspace" wherever installed. All plumbing and electrical connections are made through back of water heater. 27-gallon and 40-gallon capacities are equipped with cross-link PEX cross-link polymer dip tubes.

COMPACT ELECTRIC WATER HEATERS

Compact design, side-mounted plumbing and electrical connections (optional top connections). Designed for installation under a counter, in a crawl space or in other tight spaces. Tank capacities range from 6 through 20 gallons and offer single heating element.

POINT-OF-USE ELECTRIC WATER HEATER

Designed for low-demand, point-of-use applications, such as office lavatories or buildings with remote restrooms. 2 1/2-gallon tank capacity is standard, equipped with single heating element and includes a 110/120V cord set with 3-prong plug. Includes wall-mounting brackets for easy installation.

**ALL PROMAX® SPECIALTY ELECTRIC WATER HEATERS
EQUIPPED WITH FACTORY-INSTALLED TEMPERATURE &
PRESSURE (T&P) RELIEF VALVE, AND FOAM INSULATION TO
PROTECT AGAINST HEAT LOSS**

**CODE COMPLIANCE: MEETS OR EXCEEDS FEDERAL MINIMUM ENERGY
STANDARDS ACCORDING TO THE LATEST EDITION OF THE NATIONAL APPLIANCE
ENERGY CONSERVATION ACT (NAECA). ALSO COMPLIES WITH ASHRAE 90.1-2004
AND CURRENT EDITIONS OF ICC CODES AND HUD STANDARDS**

**CERTIFIED TO UL 174 FOR HOUSEHOLD ELECTRIC
WATER HEATERS**

6-YEAR LIMITED TANK AND PARTS WARRANTY

For complete information, consult written warranty or A. O. Smith Water Products Company.

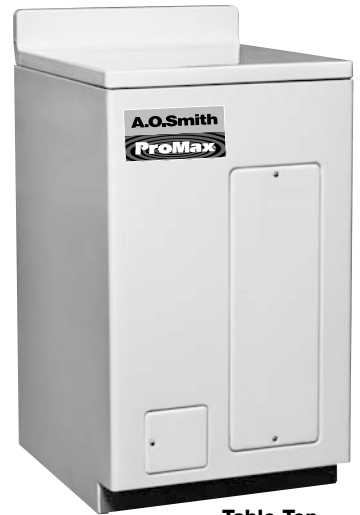


Table Top



Compact



Point-Of-Use



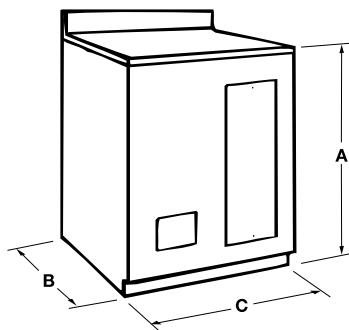
ProMax[®]

SPECIALTY ELECTRIC

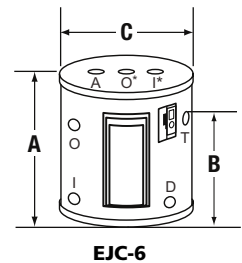
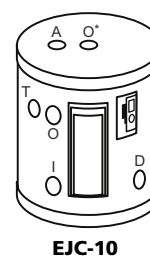
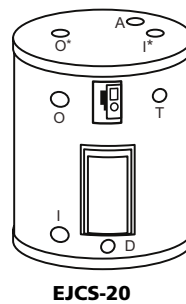
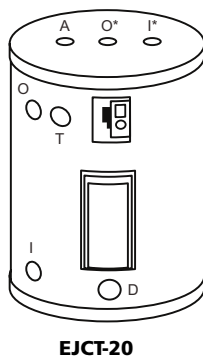
MODEL NUMBER	FIRST HOUR RATING GALLONS	ENERGY FACTOR	GALLON CAPACITY	ELEMENT WATTAGE		RECOVERY 90°F RISE	R VALUE	DIMENSIONS IN INCHES			APPROX. SHIPPING WEIGHT (LBS.)
				STANDARD 240V	MAXIMUM 240V			A	B	C	
TABLE TOP MODELS											
ESTT-30	42	.89	27	4500	6000	21	12	36	25	21	141
ESTT-40	52	.88	40	4500	6000	21	12	36	25	24	174
COMPACT MODELS				STANDARD 120V	MAXIMUM 240V						
EJC-6	N/A	N/A	6	1650	3000	8	8	15-1/4	10-3/4†	14-1/8	31
EJC-10	N/A	N/A	10	1650	4500	8	8	18-1/4	12-1/4†	16	45
EJCS-20	N/A	N/A	19	2500	4500	11	8	25	18-1/2†	18	65
EJCT-20	N/A	N/A	19.9	2500	4500	11	8	31-1/2	25-3/4†	16	62
LOWBOY SIDE-CONNECT MODELS				STANDARD 240V	MAXIMUM 240V						
ECJ-30	37	.93	29	4500	6000	21	16	30	24†	22	100
ECJN-40	43	.92	38	4500	6000	21	12	31-1/4	24-5/8†	23	131
POINT-OF-USE MODEL											
EJC-2	N/A	N/A	2.5	1500@120V		7	8	13-3/4	11	13-3/4	18

† "B" dimension is floor to T&P Valve and floor to hot water outlet.
 Dimension from floor to cold water inlet on all lowboy side-connect models is 3-1/2".
 Point-of-Use models have 1/2" inlet and outlet connections.

TABLE TOP
30 & 40-gallon Models



COMPACT MODELS



I	Inlet	D	Drain	I*	Plugged Inlet
O	Outlet	T	T&P	O*	Plugged Outlet

POINT-OF-USE

