

MODEL NUMBER:



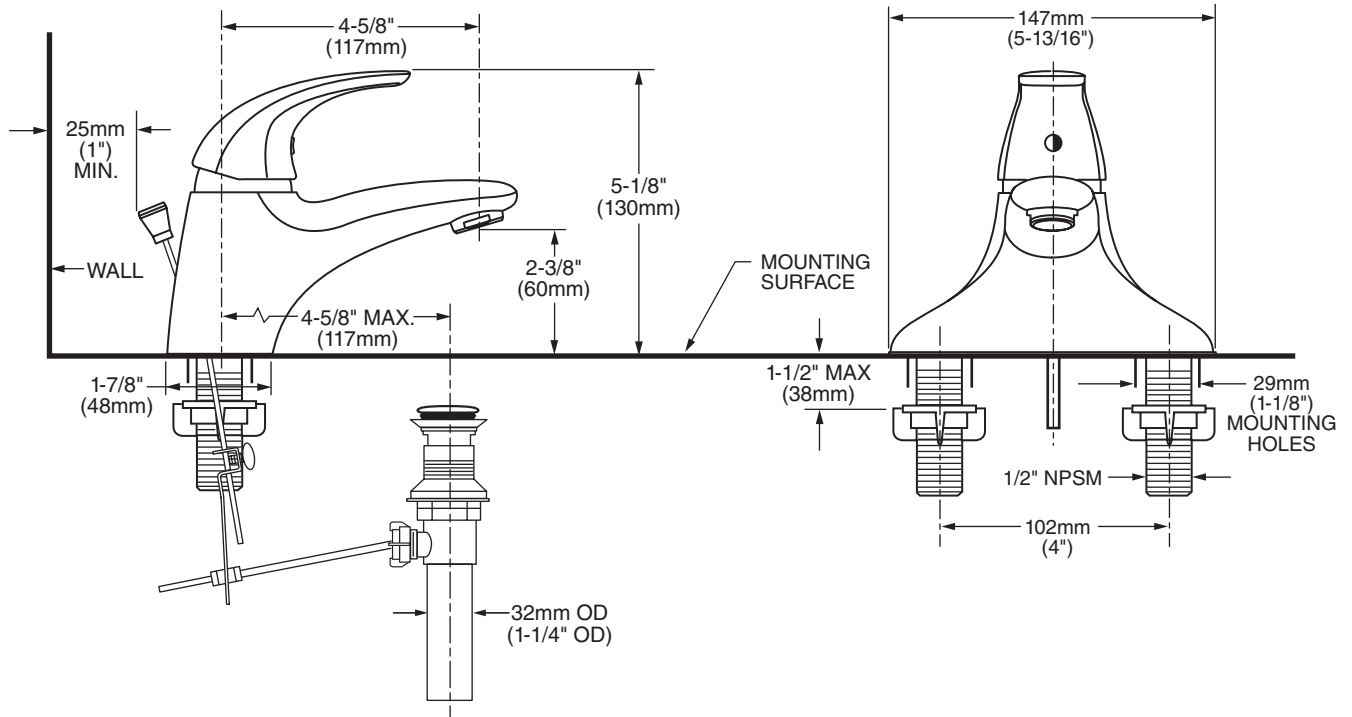
6114.110.002 Monterrey Single Control Centerset
Cast brass body. Metal pop-up drain. 1.5 gpm pressure compensating aerator.



6114.111.002 Monterrey Single Control Centerset
Cast brass body. Less pop-up drain, rod & hole. 1.5 gpm pressure compensating aerator.

6114.115.002 Monterrey Single Control Centerset
Cast brass body. Metal pop-up drain. 0.5 gpm vandal-resistant, pressure compensating non-aerated spray.

6114.116.002 Monterrey Single Control Centerset
Cast brass body. Less pop-up drain, rod & hole. 0.5 gpm vandal-resistant, pressure compensating non-aerated spray.



GENERAL DESCRIPTION:

Cast brass centerset body with metal handle. 1/2" male threaded brass inlet shanks with quick spin nuts. Washerless ceramic disc valve cartridge with integral hot limit safety stop. Metal pop-up drain with 1-1/4" (32mm) tailpiece. Choice of flow outlet. Fitting mounts on 4" centers.

PRODUCT FEATURES:

Pressure Compensating Outlet: Provides a constant water flow throughout the pressure range.

Durable Cast Brass Body: Perfect for high-use commercial installations

Ceramic Disc Valve Cartridge: Assures a lifetime of drip-free, maintenance-free performance.

Adjustable Hot Limit Safety Stop: Limits the amount of hot water allowed to mix with cold. Reduces the risk of accidental scalding.

Lead Free: Faucet contains ≤ 0.25% total lead content by weighted average.

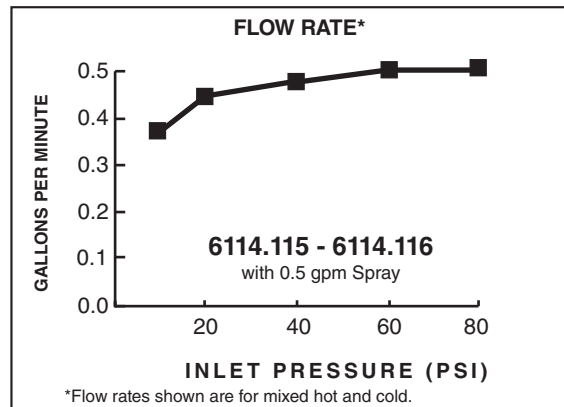
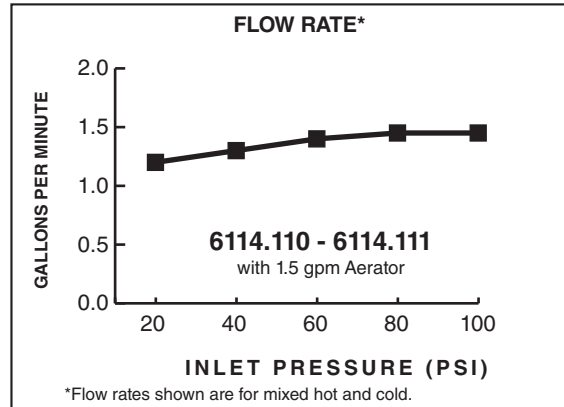
SUGGESTED SPECIFICATION:

Single control centerset lavatory fitting shall feature a cast brass body with metal handle. Shall feature 1/2" male threaded brass inlet shanks with quick spin nuts. Shall also feature washerless ceramic disc valve cartridge with integral hot limit safety stop. Faucet shall be American Standard Model # 6114.11 __.002.


CODES AND STANDARDS

These products meet or exceed the following codes and standards:

- ANSI A117.1
- ASME A112.18.1
- CSA B 125
- NSF 61/Section 9, Annex G



Product Number	Description	Finish Options
		Polished Chrome
6114.110	Monterrey Single Control Centerset. Metal Lever Handle. Metal pop-up drain. 1.5 gpm/5.7L/min. maximum flow rate.	002
6114.111	Monterrey Single Control Centerset. Metal Lever Handle. Less pop-up drain. 1.5 gpm/5.7L/min. maximum flow rate.	
6114.115	Monterrey Single Control Centerset. Metal Lever Handle. Metal pop-up drain. 0.5 gpm/1.9L/min. maximum flow rate.	
6114.116	Monterrey Single Control Centerset. Metal Lever Handle. Less pop-up drain. 0.5 gpm/1.9L/min. maximum flow rate.	

 Meets the American Disabilities Act Guidelines and **ANSI A117.1** Requirements for the physically challenged.