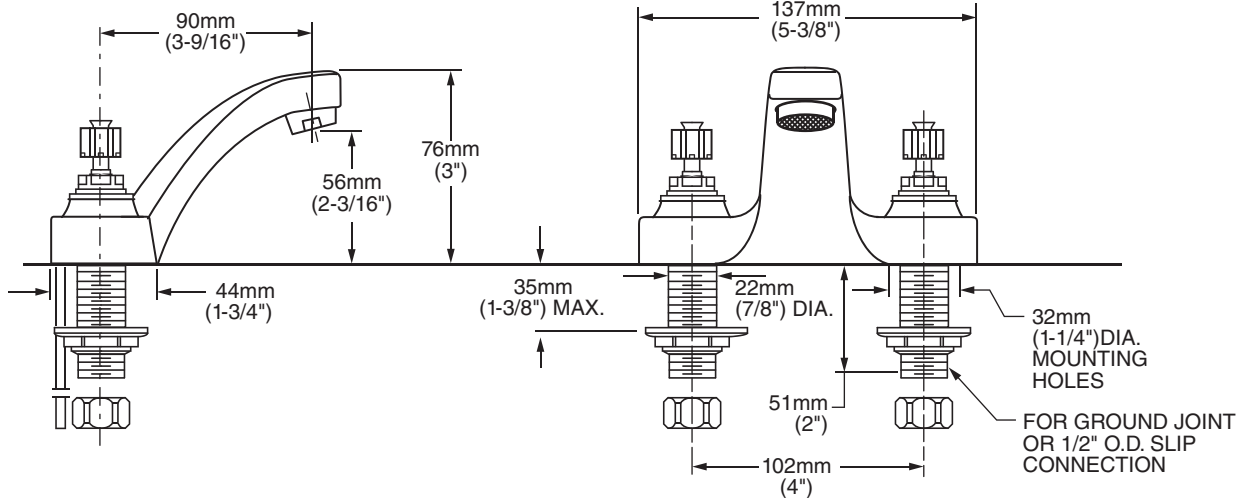


Shown without handles.
 Faucet comes complete with factory installed handles.

MODEL NUMBER:

- 5400.142H Centerset Lavatory Faucet**
 1.5 gpm pressure compensating aerator.
 Metal lever handles. Less drain.
- 5400.172H Centerset Lavatory Faucet**
 1.5 gpm pressure compensating aerator.
 Brass wrist blade handles. Less drain.



GENERAL DESCRIPTION:

Durable cast brass construction. Amarilis 1/4 turn washerless ceramic disc valve cartridges. One-half inch male inlet shanks with brass coupling nuts and shank nuts. 1.5 gpm/5.7L/min. maximum flow rate.

PRODUCT FEATURES:

Pressure Compensating Aerator: Provides a constant water flow of 1.5 gpm throughout the pressure range.

Solid Brass Construction: Durable - Excellent in high use applications. Ideal for prolonged contact with water.

Ceramic Disc Valve Cartridges: Assures a lifetime of drip-free performance.

Lead Free: Faucet contains $\leq 0.25\%$ total lead content by weighted average.

Factory Installed Handles: Simplifies installation.

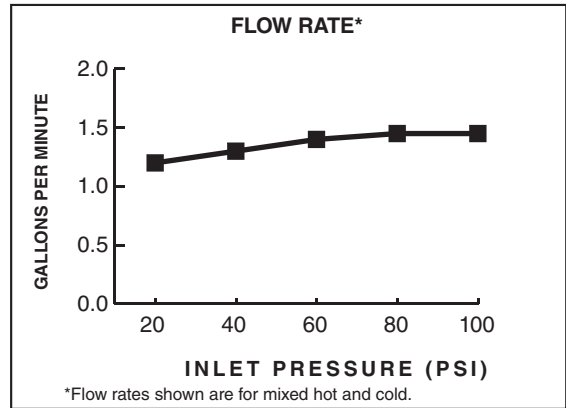
SUGGESTED SPECIFICATION:





4" centerset lavatory faucet shall be cast brass construction with all brass shank nuts and coupling nuts. Shall feature water-conserving 1.5 gpm/5.7L/min. pressure compensating aerator. Shall also feature 1/4 turn washerless ceramic disc valve cartridges. Fitting shall be American Standard Model # 5400.____.002.

CODES AND STANDARDS

These products meet or exceed the following codes and standards:

- ASME A112.18.1
- CSA B 125
- NSF 61/Section 9
- NSF 372



	Product Number	Description	Finish
			Polished Chrome
			002
 	5400.142H	Centerset lavatory faucet. 1.5 gpm/5.7L/min pressure compensating aerator. Metal Lever Handles. Less drain.	
 	5400.172H	Centerset lavatory faucet. 1.5 gpm/5.7L/min pressure compensating aerator. Brass Wrist Blade Handles. Less drain.	

 **MEETS THE AMERICANS WITH DISABILITIES ACT GUIDELINES AND ANSI A117.1 REQUIREMENTS FOR ACCESSIBLE AND USABLE BUILDING FACILITIES-CHECK LOCAL CODES**

Other Aerators Available:

Part Suffix	Description
LV22	2.2 gpm (8.3 Lpm) Vandal-Resistant Non-Aerated Laminar Flow Outlet
V22	2.2 gpm (8.3 Lpm) Vandal-Resistant Aerator
A15LV	Anti-Microbial 1.5 gpm (5.7 Lpm) Vandal-Resistant Non-Aerated Laminar Flow Outlet
LV15	1.5 gpm (5.7 Lpm) PCA Vandal-Resistant Non-Aerated Laminar Flow Outlet
V15	.5 gpm (5.7 Lpm) PCA Vandal-Resistant Aerator
LV10	1.0 gpm (3.8 Lpm) PCA Vandal-Resistant Non-Aerated Laminar Flow Outlet
V10	1.0 gpm (3.8 Lpm) PCA Vandal-Resistant Aerator
V05	0.5 gpm (1.9 Lpm) PCA Vandal-Resistant Non-Aerated Spray
V035**	0.35 gpm (1.3 Lpm) PCA Vandal-Resistant Non-Aerated Spray

*PCA - Pressure Compensating

**Meets Cal Green Code