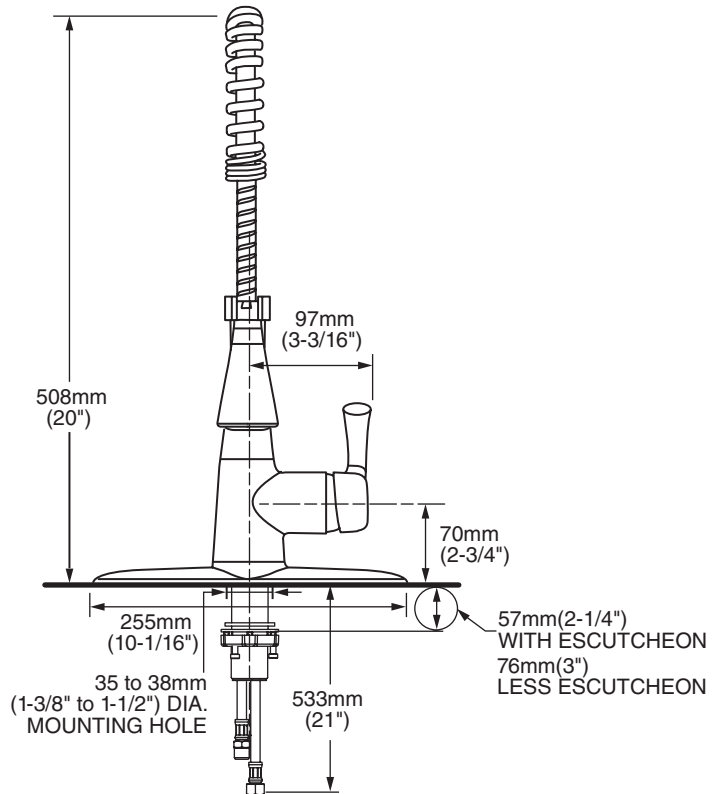


MODEL NUMBER:

- 4433.350 Semi-Professional Kitchen Faucet
- 4433.350.F15 Semi-Professional Kitchen Faucet



GENERAL DESCRIPTION:

Metal handle, escutcheon plate and swivel spout (150° rotation). Adjustable spray pattern with toggle button activation. Metal reinforced hose with Stainless Steel protector coil. Washerless 40mm ceramic disc valve cartridge. Braided flexible Stainless Steel supply hoses with 3/8" compression connections. Metal mounting shank with brass fixation ring. Complete with two integral check valves. 2.2 gpm/8.3 L/min. maximum flow rate, 1.5 gpm/5.7 L/min, maximum flow rate for F15 models. Fitting can be mounted with or without escutcheon plate (escutcheon size 10-1/16"L x 2-1/2"W).

PRODUCT FEATURES:

Ceramic Disc Valve Cartridge: Assures smooth, precise valve control and a lifetime of drip-free, maintenance-free performance.

Memory Position Valving: Allows user to turn valve on and off at preferred temperature setting without readjusting handle position each time.

Lead Free: Faucet contains ≤ 0.25% total lead content by weighted average.

Integral Check Valves: Prevents back flow.

Toggle Spray Function: Switches water flow from a stream to a spray and includes pause feature.

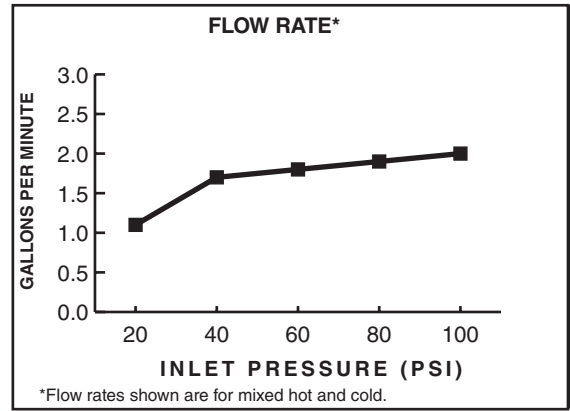
SUGGESTED SPECIFICATION:

Single control semi-professional kitchen faucet shall feature a metal swivel spout with two check valves, metal escutcheon plate and handle. Shall also feature washerless ceramic disc valve cartridge and flexible Stainless Steel supply hoses. Faucet shall be American Standard Model # 4433.350._____.

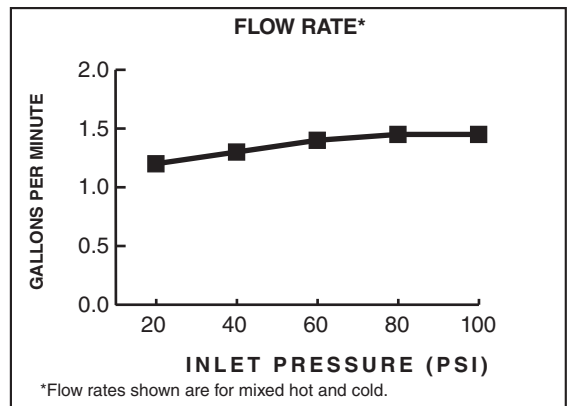
CODES AND STANDARDS

These products meet or exceed the following codes and standards:

- ANSI A117.1
- ASME A112.18.1
- NSF 61/Section 9 & Annex G
- CSA B125




2.2 gpm/8.3 L/min. FLOW RATE



1.5 gpm/5.7 L/min. FLOW RATE

Product Number	Description	Finish Options	
		Polished Chrome	PVD Stainless Steel
4433.350	Semi-Professional Kitchen Faucet - 2.2 gpm/8.3 L/min. maximum flow rate	002	075
4433.350.F15	Semi-Professional Kitchen Faucet - 1.5 gpm/5.7 L/min. maximum flow rate		

 Meets the American Disabilities Act Guidelines and **ANSI A117.1** Requirements for the physically challenged.