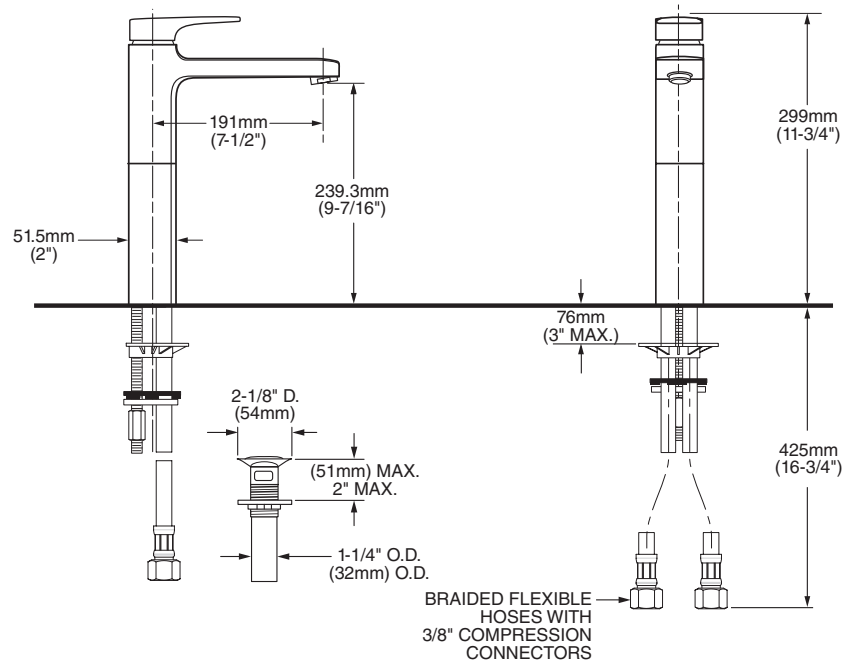




**MODEL NUMBER:**

- ❑ **2506.152 Single Control Vessel**  
Grid Drain.
- ❑ **2506.151 Single Control Vessel**  
Less Drain



**GENERAL DESCRIPTION:**

Cast brass body. Multiport washerless ceramic disc valve cartridge provides steady water flow even in low pressure situations. Hot limit safety stop. Braided flexible supply hoses with 3/8" compression connectors. 1.5 gpm/5.7L/min. maximum flow rate.

**PRODUCT FEATURES:**

**Brass Construction:** Durable. Easy to clean. Ideal for prolonged contact with water.

**Multiport Ceramic Disc Valve Cartridge:** Assures a lifetime of smooth handle operation, drip-free performance and steady water flow.

**Adjustable Hot Limit Safety Stop:** Limits the amount of hot water allowed to mix with cold. Reduces the risk of accidental scalding.

**Lead Free:** Faucet contains ≤ 0.25% total lead content by weighted average.

**Finish:** Available in Polished Chrome.

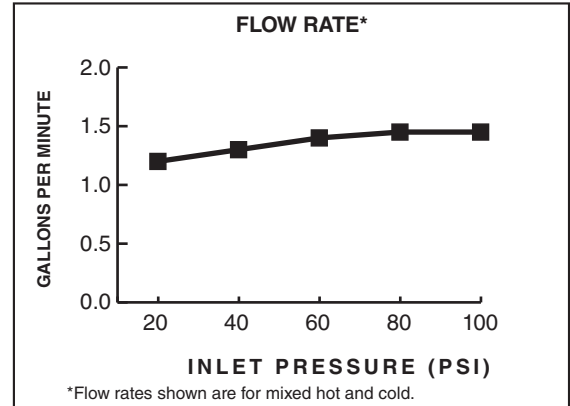
**SUGGESTED SPECIFICATION:**

Single control lavatory faucet shall feature a cast brass body and metal lever handle. Fitting shall be equipped with flexible supplies with 3/8" compression connectors. Shall also feature multiport washerless ceramic disc valve cartridge with hot limit safety stop. Fitting shall be American Standard Model # 2506.15\_002.


**CODES AND STANDARDS**

These products meet or exceed the following codes and standards:

- ANSI A117.1**
- ASME A112.18.1**
- CSA B 125**
- NSF 61/Section 9 and Annex G**



Product Number	Description	Finish Options
		Polished Chrome
		002
2506.152	Single Control Lavatory faucet with grid drain.	
2506.151	Single Control Lavatory faucet less drain.	

 Meets the American Disabilities Act Guidelines and **ANSI A117.1** Requirements for the physically challenged.