

# RSV16 RETRO-FIT CARTRIDGE

## Acorn Controls SV16 Valve Cartridge



### APPLICATION:

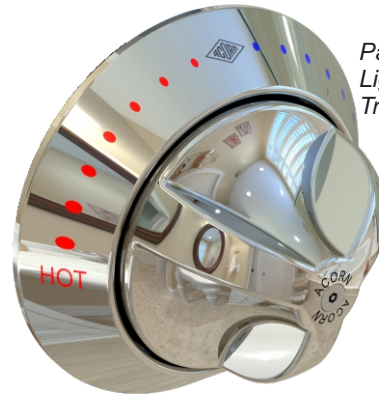
The Acorn Controls SV16 valve cartridge replaces existing Powers e700, P900 and PB410 series shower valve without removing valve body.

### FEATURES:

- Cartridge is compliant to ASSE 1016 standards when used with the Powers e700, P900 and PB410 series valve bodies.
- Commercial quality thermal actuator provides repeatable, reliable performance.
- A non-rising stem reduces a gap between the handle and faceplate, common with all other thermostatic shower valves as the temperature setting increases. This insures the benefit of our patented Ligature Resistant trim even when full open. With Lever Trim it reduces a possible pinching of the bather's fingers while closing the valve.
- Ceramic shut-off components for long term drip-free reliability and easy shut off.
- Your choice of patented Tri-Lever Ligature Resistant or Single Lever trim. Both are all-metal and provide ADA Compliance throughout the full operating range

### MUST SPECIFY TRIM KIT:

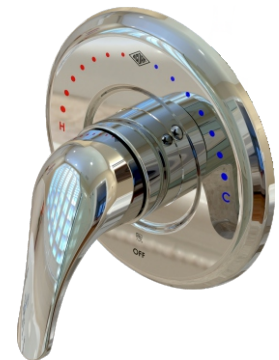
- RSV16 Shower Valve w/ ADA Compliant, Ligature and Vandal Resistant Tri-Lever Handle
- RSV16-LVR Shower Valve w/ Lever Handle



*Patented ADA Compliant  
Ligature And Vandal Resistant  
Tri-Lever Handle*

RSV16 Trim Kit

- Patented D697,591
- © Acorn Engineering Co.



RSV16-LVR Trim Kit

#### NOTE:

Prior to ordering retrofit components, please confirm that the rough-in-depth of the Powers valve meets Acorn's rough-in depth requirements. Please refer to the next page.

Acorn Controls assumes no responsibility for use of void or superseded data. © Copyright Acorn Controls, City of Industry, CA, Division of Acorn Engineering Company, a member of Morris Group International. Please visit [www.acorneng.com](http://www.acorneng.com) or most current specifications.

Submittal # **RSV16**  
Revised: 08/18/15

#### Certifications and Compliances:



C ASSE 1016  
CSA B125.16



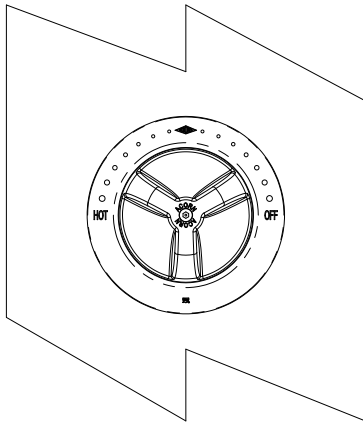
Est. 1954  
**ACORN ENGINEERING COMPANY**  
Manufacturer of Engineered Products

Member of Morris Group International™

ACORN ENGINEERING  
COMPANY  
P.O. BOX 3527  
City of Industry, CA  
91744, U.S.A.  
Phone 800-488-8999  
626-336-4561  
Fax 626-961-2200  
[www.acorneng.com](http://www.acorneng.com)

FOR BEST RESULTS VALVE INLET DEPTH OR EXPOSED  
STEM SHOULD BE BETWEEN DIMENSIONS BELOW

**RSV16**



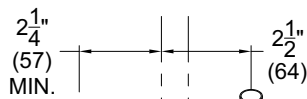
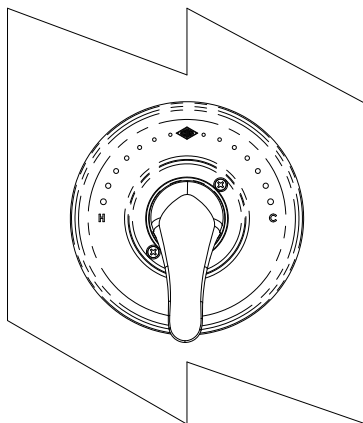
FINISHED WALL



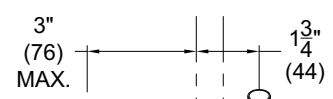
FINISHED WALL

FOR BEST RESULTS VALVE INLET DEPTH OR EXPOSED  
STEM SHOULD BE BETWEEN DIMENSIONS BELOW

**RSV16-LVR**



FINISHED WALL



FINISHED WALL

# **RSV16** Revise: 08/18/15

*Acorn Controls warrants that its products are free from defects in material or workmanship under normal use and service for a period of one year from date of shipment. Acorn's liability under this warranty shall be discharged solely by replacement or repair of defective material, provided Acorn is notified in writing within one year from date of shipment, F.O.B. City of Industry, California.*

SELECTION SUMMARY  
 & APPROVAL FOR  
 MANUFACTURING

Model Number & Options \_\_\_\_\_ Quantity \_\_\_\_\_

Company \_\_\_\_\_

Contact \_\_\_\_\_ Title \_\_\_\_\_

Signature (Approval for Manufacturing) \_\_\_\_\_ Date \_\_\_\_\_



Est. 1954  
**ACORN ENGINEERING COMPANY**  
Manufacturer of Engineered Products

**800-488-8999**  
 or 626-336-4561  
[www.acorneng.com](http://www.acorneng.com)