



Shower-Ware® 450BADAWH Series

Apex Type 5, Surface-Mounted Showers - ADA Compliant - Wide Housing



458BADAWH-RH-W-LFS

Fixture May Show Some Available Options

- Patented D697,591
- © Acorn Engineering Co.

Please visit www.acorneng.com for most current specifications.

Apex Type 5, Surface-Mounted Showers - ADA Compliant - Wide Housing

Shower includes an ADA compliant control valve with a Patented Ligature Resistant ADA Tri-Lever Handle (Standard with T/P valve only), lever handle or pushbutton, a fixed upper shower head, a diverter valve with a Patented Ligature Resistant ADA Compliant Tri-Lever (Standard with T/P Valve only), lever handle, a quick disconnect hand shower with on/off pushbutton, vacuum breaker and flow control, valve supply flexible hose connectors, a recessed soap dish, a two-wall stainless steel grab bar, a 1103 series padded vinyl folding seat and a curtain with headrail for a 36" opening. Unit conforms with ANSI, UFAS and ADA requirements for accessibility. Compliance is subject to the interpretation and requirements of the local code authority.

Shower Housing is 18 gage, type 304 stainless steel with satin finish. Top and Bottom of housing have 30 degree slope.

Reach. All controls, soap dish, etc., must be 38" to 48" from the finished floor to be within reach of a seated bather with limited arm movement.

Shower Heads. A shower head on a five foot hose (hand shower) is provided for seated bathers. A conventional fixed shower head is also provided at 6'-0" discharge height. Shower head is solid brass, triple chrome-plated and includes a built-in 2.2 GPM flow restrictor. The Acorn Logan Wizard Shower Head design provides self-cleaning with every use, and has an adjustable spray pattern from coarse stream to a fine mist.

Valves. Disabled bathers should be provided with protection against sudden hot or cold "shock". The Thermostatic/Pressure balancing mixing valve is ASSE 1016 compliant, and delivers constant water flow by compensating for temperature and pressure fluctuations. Mixing T/P valves are often required and strongly recommended. Indicate valve by selection of appropriate Shower-Ware® figure numbers.

Seat and Privacy Compartments. Disabled bathers understandably should be given privacy while bathing. In addition, transfer type stalls include the requirement to provide a seat opposite the controls. This suggests constructing an alcove, partial wall or providing a reinforced privacy panel for mounting the seat (suffix option -RP).

Fasteners. Acorn furnishes all exposed tamper-resistant fasteners necessary to complete the on-site shower assembly; however, concealed wall fasteners or anchor shields are not furnished.

GUIDE SPECIFICATION

Provide and install Acorn Apex Surface-Mounted, ADA Compliant Wall Shower with Wide Housing (specify model number and options). Shower housing shall be fabricated from 18 gage, type 304 stainless steel and shall have a satin finish. Housing top and bottom shall have a 30 degree slope. Exposed trim shall be chrome-plated brass. Fixture shall be furnished with an ADA compliant control valve with a Patented ADA Compliant Tri-Lever Handle, lever handle or pushbutton, a fixed upper shower head, a diverter valve with a Patented ADA Compliant Tri-Lever Handle or lever handle, a quick disconnect hand shower with on/off pushbutton, vacuum breaker and flow control, valve supply flexible hose connectors, a recessed soap dish, a two-wall stainless steel grab bar, a 1103 series padded vinyl folding seat and a curtain and headrail for a 36" opening. Units to conform with ANSI, UFAS and ADA requirements for accessibility. Installation shall be made in accordance with manufacturer's recommendations and details.

Page # S.450BADAWH

Revised: 06/19/15



Shower-Ware®: 450BADAWH Apex Type 5, Surface-Mounted Showers - ADA Compliant - Wide Housing

**Shower Head Discharge Height
(Not Part of Model Number)**

6'-0" 5'-6" 5'-0" Other (Specify) _____

MODEL NUMBER AND OPTIONS SELECTION

SERIES

4 Apex

TYPE

-5 Surface-Mounted ADA Showers with Wide Housing

VALVE SELECTION (Must Specify)

- 0 Electronic Valves, Single Temp. Metering (Must Specify Type Where Indicated Below)
- 5 Flo-Cloz, Single Temperature (w/ Lever Handle)
- 6 Air-Control, Single Temperature Metering
- 8 T/P Temperature-Pressure Balancing Mixing Valve With Patented Ligature Resistant ADA Tri-Lever Handle (ASSE 1016 Compliant)

ELECTRONIC VALVE SELECTION

(Refer to Valves Section for Submittal Data)

- EVS1 Electronic Valve System - Single Temperature
- EVSP1 Electronic Valve Sys. w/ Piezo Pushbutton
- MVC1 Time-Trol - Single Temperature
 - CI Cycle Interrupt
- PPZ1 Programmable Piezo Pushbutton (Single Temperature Only)

Valve Orientation (Must Specify)

Left Right

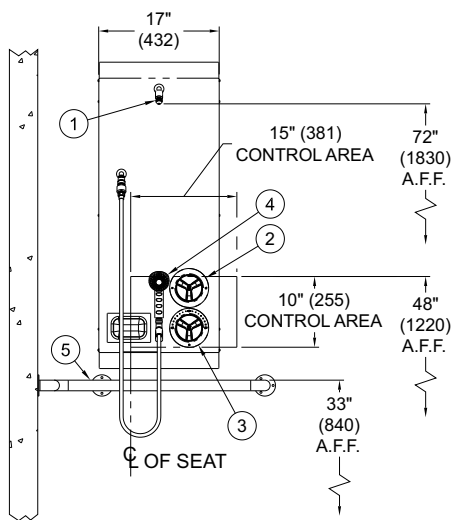
SUPPLY (Must Specify)

-T Top
 -W Wall

PRODUCT OPTIONS (Must Specify)

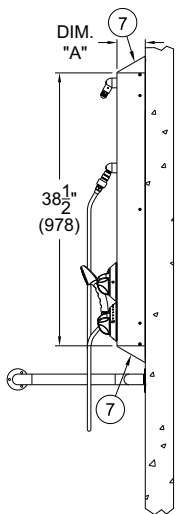
- BS Built-in Liquid Soap System (Non-ADA)
- CSH Conical Showerhead (Ligature Resistant)
- D Surface-Mounted Soap Dish
- EG Enviro-Glaze Color, Specify: _____
- F Flow Control, Specify: (Showerheads Only)
 - 1.4 GPM 1.6 GPM 2.0 GPM
- FG 14 Gage Material Construction
- FH Fixed Head at 48" in Lieu of Hand Shower
- FSP Phenolic Folding Seat in Lieu of Padded Seat
- FSS Stainless Steel Folding Seat in Lieu of Padded Individual Stops (Flo-Cloz Only)
- G Individual Stops (Flo-Cloz Only)
- H Hand Volume Control
- K Allen Key Volume Control
- LCH Less Curtain with Headrail
- LFS Less Padded Folding Seat
- LGB Less Grab Bar
- LRD Less Recessed Soap Dish
- LVR Lever Handle (-8 & Diverter Valve)
- MS Modular Privacy Compartments (See Diana Privacy Tab)
- MSH Multi-Stream Shower Head
- P Penal Shower Head
- PBH Hemispherical Pushbutton
- PSO Positive Shut-Off for Quick Disconnect
- RP Reinforced Panel for Folding Seat with Curtain
- SB 24" Slide Bar (Panel Mounted)
- SC Supply Cover, Ceiling Height: _____
- SCH Horizontal Supply Cover
 - Optional Sloping Top
 - Optional Sloping Bottom (Acorn Room Layout Required)
- Y Universal Ball Joint
- YY Lockable Universal Ball Joint
- Z Up-Down Ball Joint
- ZZ Lockable Up-Down Ball Joint

Please visit www.acorneng.com for most current specifications.

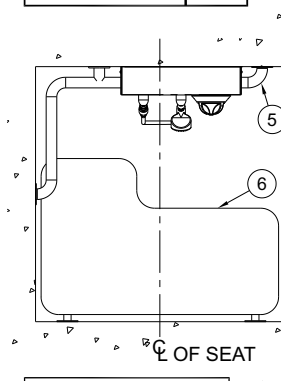


Model #458BADAWH

- 1. Shower Head.
- 2. Diverter Valve w/ Standard Patented Tri-Lever Handle.
- 3. T/P Valve w/ Standard Patented Tri-Lever Handle.
- 4. Hand Shower with 60" Hose.
- 5. Two-Wall Grab Bar Provided.
- 6. Padded Seat Provided.
- 7. 30° Sloping Top and Bottom.



VALVE TYPE	DIM "A"
-0, Electronic, ST.	4 1/2" (115)
-5, Flo-Cloz, ST.	3" (75)
-8, T/P Mixing Valve	4" (100)



Right Hand Valve Orientation Shown.
Left Hand Opposite.

<p>Important: Installation instructions and current rough-in are furnished with each fixture. Do not rough in without certified dimensions. Dimensions are subject to manufacturer's tolerance of plus or minus 1/4" and change without notice. Acorn assumes no responsibility for use of void or superseded data. © Copyright 2006 Acorn Engineering Company</p>	
<p style="text-align: center;">Selection Summary</p> <p>Model No. & Option _____</p> <p>Quantity _____</p>	<p style="text-align: center;">Approved for Manufacturing</p> <p>Company _____ Title _____</p> <p>Signature _____ Date _____</p>