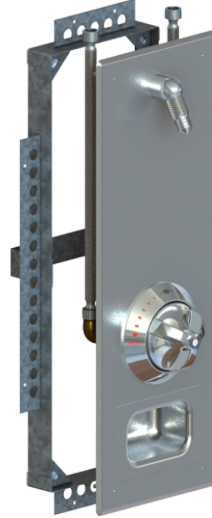




Shower-Ware® 410B Series

Apex Type 1 Flush-Mounted Showers



418B-W-RD

Fixture May Show Some Available Options

- Patented D697,591
- © Acorn Engineering Co.

Please visit www.acorneng.com for most current specifications.

Apex Type 1 Flush-Mounted Showers

Shower Panel is 18 gage, type 304 stainless steel with satin finish.

Control Valve type is indicated by selected Apex model number. Valves with removable cartridges contain all wearing parts and are serviced from the face of the shower for easy maintenance. Valves are tamper resistant and may include easy to close mechanisms and low leverage handles to protect the operating parts from excessive torque. Valves have flexible hose supply connectors.

Shower Head is solid brass, triple chrome-plated and include built-in 2.2 GPM flow restrictor. The Acorn Logan Wizard Shower Head design provides self-cleaning with every use, and has an adjustable spray pattern from a coarse stream to a fine mist.

Mounting Frame with plaster flange is mounted in wall and intended to be positioned so that the shower panel fits flush against the finished wall.

Fasteners necessary to complete the on-site shower assembly are tamper resistant and provided by Acorn, however, concealed wall fasteners or anchor shields are not furnished.

GUIDE SPECIFICATION

Provide and install Acorn Apex Flush-Mounted Showers (specify model number and options). Shower panel shall be 18 gage, type 304 stainless steel with satin finish. Valve shall have flexible hose supply connectors. Shower head shall be Acorn Logan Wizard with adjustable spray from a coarse stream to a fine mist. Installation shall be made in accordance with manufacturer's recommendations and details.

Shower-Ware®: 410B Apex Type 1 Flush-Mounted Showers



MODEL NUMBER AND OPTIONS SELECTION

SERIES

4 Apex

TYPE

-1 Flush-Mounted Showers

VALVE (Must Specify)

- 0 Electronic Valves, Single-Temp Metering (Specify Type Where Indicated)
- 1 Flo-Cloz, H & C
- 5 Flo-Cloz, Single Temperature
- 6 Air-Control, Single Temperature Metering
- 7 Meter-Matic, Single Temperature Metering
- 8 T/P Temperature-Pressure Balancing Mixing Valve With Patented Ligature Resistant Tri-Lever Handle (ASSE1016 Compliant)
- 9 Without Valves (Valves by Others)

ELECTRONIC VALVE SELECTION

(Refer to Valves Section for Submittal Data)

- EVS1 Electronic Valve System - Single Temp
- EVSP1 Electronic Valve Sys. w/ Piezo Pushbutton
- MVC1 Time-Trol - Single Temp, Specify Options:
 - CI Cycle Interrupt
- PPZ1 Programmable Piezo Pushbutton (Single Temperature Only)

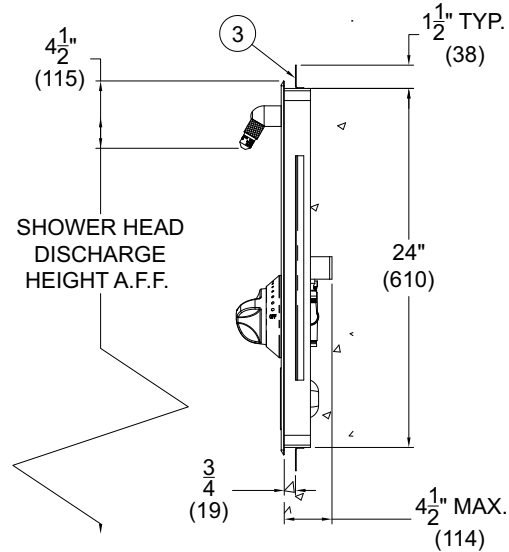
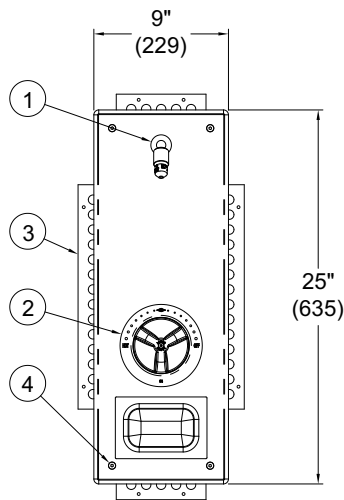
SUPPLY

-W Wall

Please visit www.acorneng.com for most current specifications.

PRODUCT OPTIONS (Must Specify)

- BS Built-in Liquid Soap System
- CSH Conical Showerhead (Ligature Resistant)
- D Soap Dish
- EG Enviro-Glaze Color, Specify: _____
- F Flow Control; Specify:
 - 1.4 GPM 1.6 GPM 2.0 GPM
- FG 14 Gage Panel
- FX Hand Shower With 60" Stainless Steel Hose (In Lieu of Conventional Showerhead)
 - QD Quick-Disconnect
 - PSO -QD w/ Positive Shut-Off
- G Individual Stops (Flo-Cloz Only)
- H Hand Volume Control
- K Allen Key Volume Control
- LVR Lever Handle (-5 & 8 Valves)
- MS Modular Privacy Compartments (See Diana Privacy Tab)
- MSH Multi-Stream Shower Head
- MV Metering Valve in Riser (Air-Control)
- P Penal Shower Head
- PBH Hemispherical Pushbutton
- RD Recessed Soap Dish
- SB 24" Slide Bar (For -FX Hand Shower)
- TF Transformer
- WS Without Showerhead
- Without Shower Head Punching, Unless Otherwise Specified
- Y Universal Ball Joint
- YY Lockable Universal Ball Joint
- Z Up-Down Ball Joint
- ZZ Lockable Up-Down Ball Joint



MODEL# 418B-W-CSH-RD

NOTES:

1. Shower Head.
2. T/P Valve w/ Standard Patented Tri-Lever Handle.
3. Wall Mounting Frame w/ Plaster Flange.
4. Tamper Resistant Fasteners.

<p>Important: Installation instructions and current rough-in are furnished with each fixture. Do not rough in without certified dimensions. Dimensions are subject to manufacturer's tolerance of plus or minus 1/4" and change without notice. Acorn assumes no responsibility for use of void or superseded data. © Copyright 2007 Acorn Engineering Company</p>	
<p style="text-align: center;">Selection Summary</p> <p>Model No. & Option _____</p> <p>Quantity _____</p>	<p style="text-align: center;">Approved for Manufacturing</p> <p>Company _____ Title _____</p> <p>Signature _____ Date _____</p>