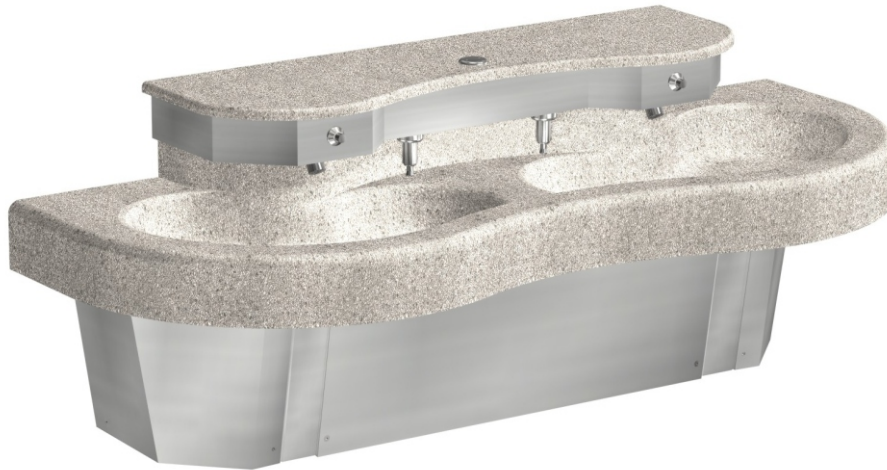




Meridian 3792 Series

Corterra Kurve Two-Person Washbasin - ADA Compliant



3792-1-H-DV

Fixture May Show Some Available Options

Please visit www.acorneng.com for most current specifications.

Meridian Corterra Kurve Two-Person Washbasin - ADA Compliant

Meridian Corterra Kurve Washbasins are engineered to combine the look and feel of commercial-grade designer basins and countertops with the durability and economy of group fixtures. Each standard height Washbasin complies with ANSI, UFAS and ADA requirements. Alternatively the unit may be mounted at the height recommended for the appropriate age group to comply with ADA requirements for children. Compliance is subject to the interpretation and requirements of the local code authority.

Countertop, Basins and Sprayhead Shelf are constructed of Corterra recycled solid-surface polymer resin (with aluminum trihydrate and other fillers) and conform with ANSI Z124.3 and ANSI Z124.6 and is ICPA SS-1 approved. Corterra uses a minimum of 15% post-consumer recycled material and a minimum 5% rapidly renewable material derived from bio-based sources. Standard color furnished is Smoky Granite Gray. See options for available color selections. Sprayhead is fabricated of heavy gage type 304 stainless steel and includes vandal resistant 0.5 GPM flow control spray nozzles. Individual basin provided for each user includes grid strainer. Washbasin includes waste piping assembly with single waste outlet 1-1/2" P-trap.

-H Hand Operation includes a mixing valve with pushbuttons operating Air-Control metering valves.

-SO Sensor Operation includes a mixing valve with individual solenoid valves activated by infrared sensors. A plug-in transformer is included.

T/P Balancing Mixing Valve is ASSE 1070 compliant and delivers constant water flow by compensating for temperature and pressure fluctuations. Valve is to be field set to 105° Fahrenheit and includes integral checks and screens to prevent cross-flow and contamination. Operating range is 30 - 100 PSI.

Bottom Enclosure provided to conceal hot and cold mixing valve assembly and p-trap. Enclosure frame assembly and panels are fabricated of heavy gage type 304 stainless steel with exposed surfaces polished to a satin finish. Bottom enclosure has a full length top joggle that draws the basin and sprayhead assembly to the wall when engaged over it during installation. Wall requires adequate backing to support Washbasin.

-DV Gravity Type Soap Dispensers are optionally available for liquid and lotion type soaps. Dispensers are mounted on the underside of the type 304 stainless steel sprayhead assembly. The 1 gallon stainless steel soap reservoir is inside the sprayhead with a top refill feature in the top shelf for ease of maintenance.

GUIDE SPECIFICATION

Meridian Corterra Kurve Two-Person Washbasin by Acorn (Specify model number and options). Unit with 34" standard height rim to conform with ANSI, UFAS and ADA Accessibility Standards. Provide two individual integral basins with individual drains, countertop and top sprayhead shelf cover constructed of (Specify color) Corterra recycled solid-surface polymer (with aluminum trihydrate and other fillers). Washbasin shall conform to ANSI Z124.3 and ANSI Z124.6. Vandal resistant spray nozzles shall be mounted onto the underside of the type 304 stainless steel sprayhead assembly. Wall mounted bottom enclosure to be constructed of heavy gage, type 304 stainless steel. Basin and sprayhead assembly shall be held tight to the wall by full length engagement with joggle on the bottom enclosure. Operation: (Specify) Provide individual solenoid valve activated by infrared sensor with plug-in transformer. Washbasin to be furnished complete with the following: ASSE 1070 compliant temperature pressure balancing mixing valve, integral checks, and 1-1/2" P-trap.

Meridian 3792: Corterra Kurve Two-Person Washbasin - ADA Compliant



BASE MODEL NUMBER (Must Specify)

- 3792 Meridian Corterra Kurve Two-Person Washbasin

FIXTURE MOUNTING & WASTE

- 1 Off-Floor, Wall Outlet

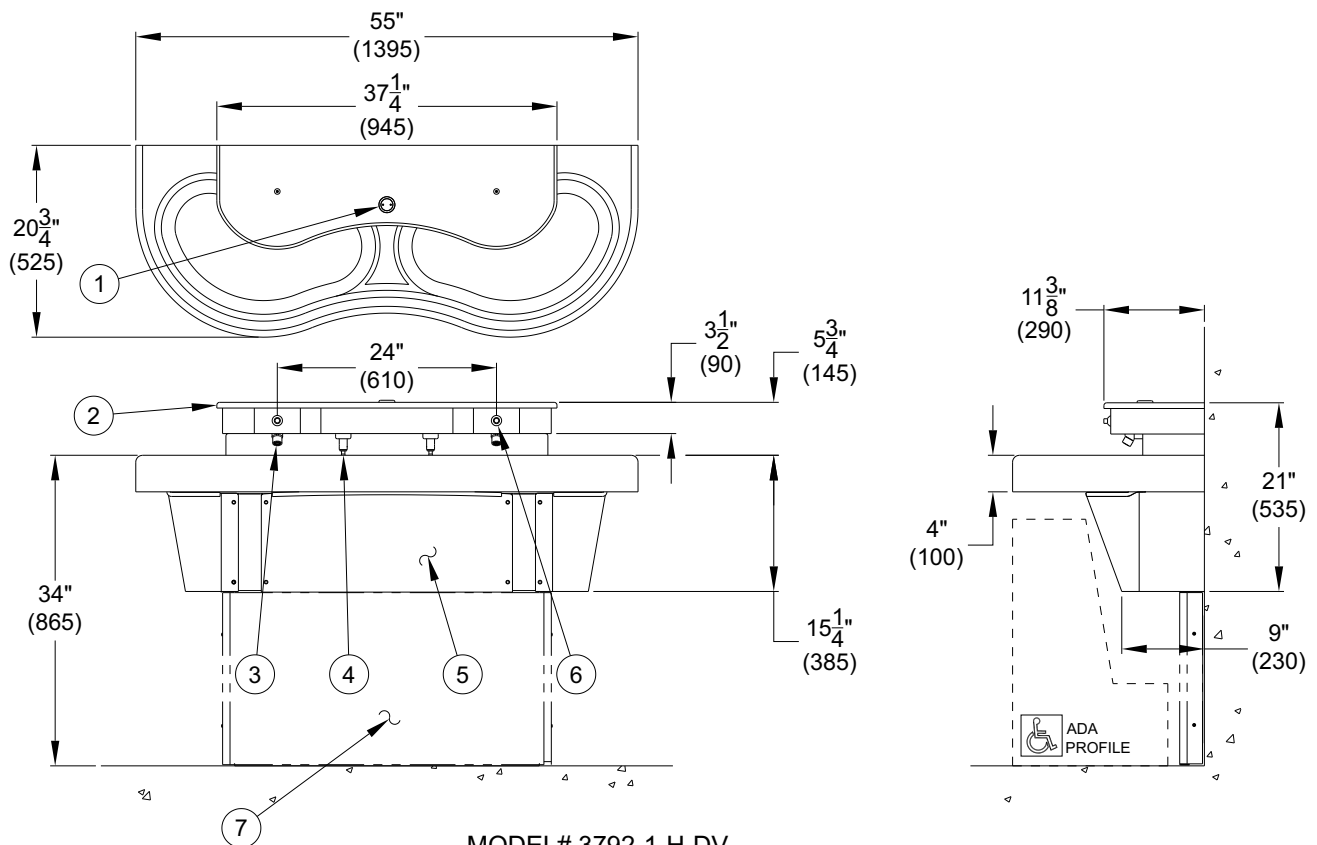
OPERATION (Must Specify)

- H Hand Operation
- PBE Pushbutton Electronic Metering
- SO Sensor Operation
- BAT-SO Battery Powered, Sensor Operation (Batteries Not Included)

PRODUCT OPTIONS (Must Specify)

- DV Liquid/Lotion Soap Dispenser
- KP2 Kick Plate; Must Specify Rim Height
 - 34" 33" 32" 31" 30"
- LWP Less Waste Piping
- OCC Optional Corterra Color - Specify: _____
- ST Single Temperature Valve

Please visit www.acorneng.com for most current specifications.



MODEL# 3792-1-H-DV

NOTES:

1. Optional -DV Soap Filler.
2. Removable Top Cover.
3. 0.5 GPM Nozzle.
4. Optional -DV Soap Dispenser.
5. Removable Access Panel.
6. -H Pushbutton Operation.
7. Optional Stainless Steel Kick Plate.

Important: Installation instructions and current rough-in are furnished with each fixture. Do not rough in without certified dimensions. Dimensions are subject to manufacturer's tolerance of plus or minus 1/4" and change without notice. Acorn assumes no responsibility for use of void or superseded data. © Copyright 2007 Acorn Engineering Company	
<p style="text-align: center;">Selection Summary</p> <p>Model No. & Option _____</p> <p>Quantity _____</p>	<p style="text-align: center;">Approved for Manufacturing</p> <p>Company _____ Title _____</p> <p>Signature _____ Date _____</p>