



Wash-Ware® 3633 Series

Corterra® Tri-Lav - 3 Stations - ADA Compliant



3633-2-SO

Fixture May Show Some Available Options

Please visit www.acorneng.com for most current specifications.

Corterra® Tri-Lav - 3 Station - ADA Compliant

Bowl, Sprayhead And Pedestal Side Panels are constructed of Corterra® recycled solid surface polymer resin (with aluminum trihydrate and other fillers) and conform with ANSI Z124.3 and Z124.6 load ratings and is ICPA SS-1 approved. Corterra® uses a minimum of 15% post-consumer recycled material and a minimum 5% rapidly renewable material derived from bio-based sources. Standard color is Smoky Granite. Bowl is 36" (914mm) wide and includes backsplash and sprayhead. Sprayhead includes access cover and vandal-resistant spray nozzles. Bowl includes grid strainer and tailpiece. **NOTE: NOT RECOMMENDED FOR OUTDOOR INSTALLATION.**

Pedestal Housing features Corterra® side panels and a heavy gage, stainless steel front access panel with vandal-resistant fasteners. The standard height 3-Station Corterra® Tri-Lav Washfountain conforms to all ANSI, UFAS and ADA requirements for reach, clearance and operation. Compliance is subject to the interpretation and requirements of the local code authority.

Sectional Control is standard. One pushbutton or sensor (specify) actuates one station.

Hand Pushbuttons (suffix option -H) operate individual non-hold open, Air-Controlled metering valves and can be field set for flow ranging from 5 to 60 seconds. Pushbutton requires less than 5 pounds of force to activate valve.

Electronic Sensor Operation (suffix option -SO) includes individual solenoid valves activated by infrared sensors. A plug-in style transformer is provided.

Foot Pushbuttons are not available on this model.

Spray Nozzles are vandal-resistant and provide a concentrated spray of 0.5 GPM at each station.

Hot & Cold Supply are blended in an ASSE 1070 compliant temperature/pressure balancing mixing valve with integral checks and strainers. A minimum of 30 PSI supply pressure is required.

GUIDE SPECIFICATION

Provide and install Corterra® Tri-Lav Washfountain (specify model number and options). Bowl, sprayhead and pedestal side panels to be constructed of Corterra® recycled solid surface polymer resin (with aluminum trihydrate and other fillers) and shall conform to ANSI Z124.3 and Z124.6 (specify color). Unit with 34" standard height rim to conform to ANSI, UFAS and ADA accessibility standards. Provide an ASSE 1070 compliant temperature/pressure balancing mixing valve with integral checks and strainers in hot and cold supply and field set water temperature at 105 degrees Fahrenheit. Provide grid strainer and waste tailpiece. Operation (specify): Provide individual solenoid valves activated by infrared sensors with plug-in transformer. Spray nozzles shall be vandal-resistant with 0.5 GPM flow controls.

Wash-Ware®: 3633 Corterra® Tri-Lav - 3 Stations - ADA Compliant



MODEL NUMBER AND OPTIONS SELECTION:

BASE MODEL NUMBER (Must Specify)

3633 Corterra® 3-Station Tri-Lav

FIXTURE MOUNTING AND WASTE (Must Specify)

- 1 Off-Floor, Wall Outlet
- 2 On-Floor, Wall Outlet

OPERATION (Must Specify)

- H Hand Operation
- PPZ Programmable Piezo Button Electronic Metering
- SO Sensor Operation
- SO-BAT Sensor Operation, Battery Powered (Batteries Not Included)

SUPPLY AND VENT

Not applicable to this model.

CORTERRA® COLOR OPTIONS (Must Specify)

Color: _____
 (Refer to www.acorneng.com for available colors, keyword search: CORTERRA)

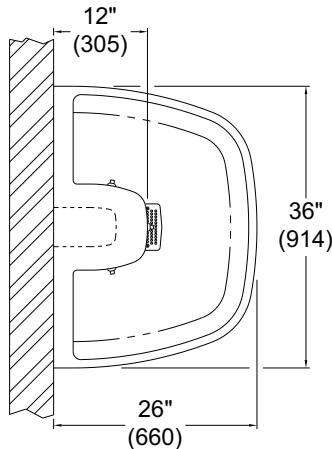
PRODUCT OPTIONS

- PDM Metering Liquid Soap Dispenser
- ST Single Temperature Supply

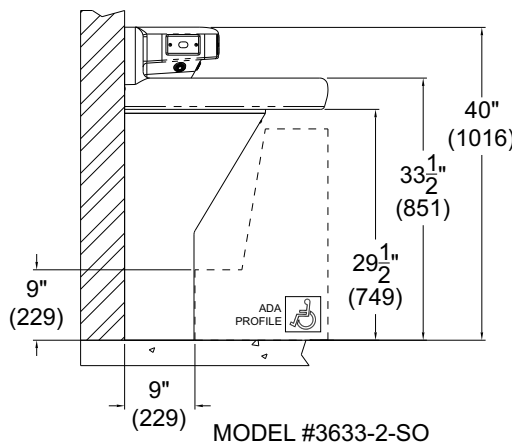
RIM HEIGHT OTHER THAN STANDARD

- CBC California Building Code Juvenile Height (24" Rim Height N/A)
 - 29" Rim Height
- JH 31" ADA Junior Rim Height (30-1/2" for -2 On-Floor, Wall Outlet)
- OBC 33" Rim Height (Ontario Building Code)

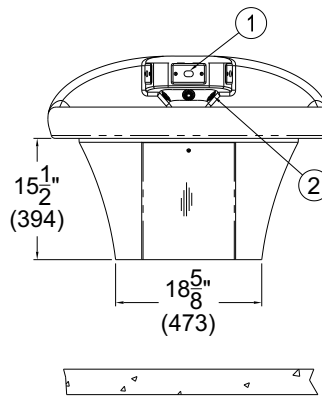
Please visit www.acorneng.com for most current specifications.



NOTES:
 1. -SO Sensor
 2. Spray Nozzle



MODEL #3633-2-SO



MODEL #3633-1-SO

Important: Installation instructions and current rough-in are furnished with each fixture. Do not rough in without certified dimensions. Dimensions are subject to manufacturer's tolerance of plus or minus 1/4" and change without notice. Acorn assumes no responsibility for use of void or superseded data. © Copyright 2009 Acorn Engineering Company

| |
|--|
| Selection Summary Model No. & Option _____ Quantity _____ |
|--|

| |
|--|
| Approved for Manufacturing Company _____ Title _____ Signature _____ Date _____ |
|--|