



EcoVantage® AV ZR Dual Flush Series

Sensor-Operated, Battery-Powered
Flushometer.

Installation, Operation, Maintenance,
and Parts Manual

Patented and Patents Pending



Sensor-Operated, Battery-Powered
Dual Flush Closet
ZR6000AV-WS1-DF 1.6/1.1 gpf

LIMITED WARRANTY

All goods sold hereunder are warranted to be free from defects in material and factory workmanship for a period of three years from the date of purchase. Decorative finishes warranted for one year. We will replace at no cost goods that prove defective provided we are notified in writing of such defect and the goods are returned to us prepaid at Sanford, NC, with evidence that they have been properly maintained and used in accordance with instructions. We shall not be responsible for any labor charges or any loss, injury or damages whatsoever, including incidental or consequential damages. The sole and exclusive remedy shall be limited to the replacement of the defective goods. Before installation and use, the purchaser shall determine the suitability of the product for his intended use and the purchaser assumes all risk and liability whatever in connection therewith. Where permitted by law, the implied warranty of merchantability is expressly excluded. If the products sold hereunder are "consumer products," the implied warranty of merchantability is limited to a period of three years and shall be limited solely to the replacement of the defective goods. All weights stated in our catalogs and lists are approximate and are not guaranteed.

Parts Replacement Guide

Covers

Outside Cover – Chrome Plated(1)
 Inside Cover(2)

Product No.

P6000-LL-CP
 P6000-L

Replacement Kits

Low-Consumption Closet Replacement Kit(4) - 1.6/1.1

Product No.

PR6000-EC-WS1-DF

Replacement Parts – Inside Components

Riser Tube(5)
 Low-Consumption Closet Volume Control - 1.6 GpF(3) - Yellow
 Low-Consumption Dual Flush Closet Volume Control - 1.6 GpF(3) - Red
 Diaphragm

Product No.

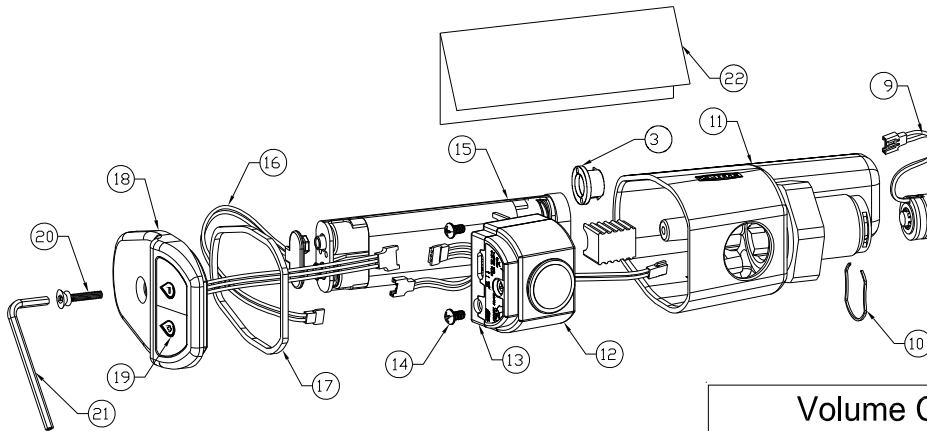
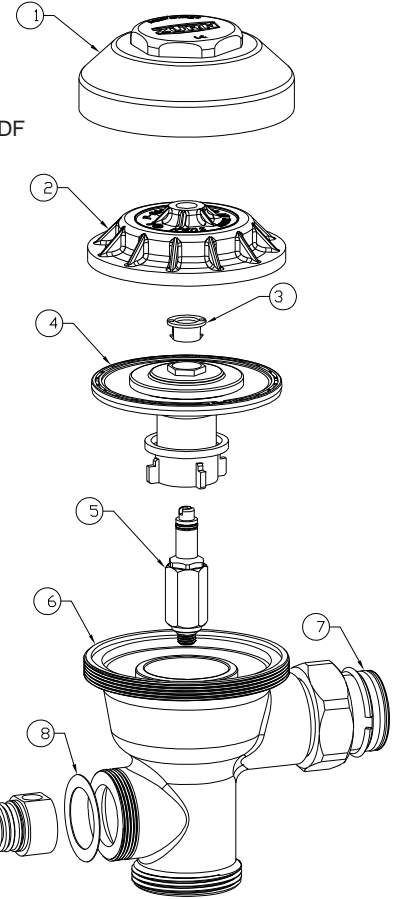
PR6000-E13F
 PR6000-EC25-DF
 PR6000-EC25-WS1-DF
 P6000-E15A-ENG

Sensor Module Replacement Kits

Solenoid Valve Replacement Kit(8, 9, 10)
 Sensor Lens Kit for Dual Flush(12)
 1.6/1.1 Sensor(13)
 Battery Holder with Connecting Cable(15, 16)
 Metal Housing(11)
 Vandal-Resistant Cover Wrench(21)
 Cover with Screw and Seal for Dual Flush(17-20)
 Push Button Switch for Dual Flush(19)

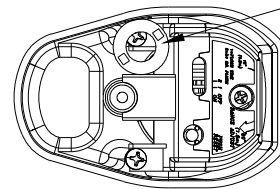
Product No.

PR6000-M
 PR6000-SC-DF
 PR6000-DF-1.6
 PR6000-MB
 PR6000-MH
 PR6000-W
 PR6000-MC-DF
 PR6000-PB-DF



1 Main Valve Body Cover	12 Sensor Electronics
2 Plastic Cover	13 Sensor Lens Kit for Dual Flush
3 Volume Control (Yellow or Red)	14 Sensor Screws - 2
4 Diaphragm	15 Battery Holder and Battery
5 Riser Tube	16 Connecting Cable
6 Main Valve Body (with Tailpiece)	17 O-Ring Seal
7 O-Ring	18 Metal Housing Cover
8 Gasket	19 Push-Button Assembly
9 Solenoid Valve	20 Cover Screw & O-ring
10 Solenoid Valve Retainer Clip	21 Cover Screw Wrench
11 Metal Housing	22 Red Volume Control Instructions

Volume Control Instruction Sheet



Red Volume Control: For those conditions suitable for maximum water savings.

- Close stop; activate MOB
- Remove valve body cover & plastic cover
- Replace yellow volume control with red volume control.
- Reassemble plastic cover & valve body cover
- Open Stop
- Test valve for proper function

Note: Excessive amounts of toilet paper and/or seat cover may not evacuate during water saving liquid flush. If paper or seat cover remains in the bowl, the user will need to press the water saving green button on the side of the unit to clear the bowl.

FV507 Rev A