



HydroVantage™

ZGEN Series

Automatic Sensor-Operated,
HydroGenerator Flushometer

Installation, Operation, Maintenance, and Parts Manual

Patented and Patents Pending



Models:

| | |
|-----------------------|------------------|
| ZGEN6203EV-ULF | 0.125 gpf |
| ZGEN6203EV-QRT | 0.25 gpf |
| ZGEN6203EV-EWS | 0.5 gpf |
| ZGEN6203EV-WS1 | 1.0 gpf |
| ZGEN6200EV | 1.28 gpf |
| ZGEN6200EV-WS1 | 1.6 gpf |

**HydroGenerator
Sensor-Operated Flush Valve**



LIMITED WARRANTY

All goods sold hereunder are warranted to be free from defects in material and factory workmanship for a period of five years from the date of purchase. Decorative finishes warranted for one year. We will replace at no costs goods that prove defective provided we are notified in writing of such defect and the goods are returned to us prepaid at Sanford, NC, with evidence that they have been properly maintained and used in accordance with instructions. We shall not be responsible for any labor charges or any loss, injury or damages whatsoever, including incidental or consequential damages. The sole and exclusive remedy shall be limited to the replacement of the defective goods. Before installation and use, the purchaser shall determine the suitability of the product for his intended use and the purchaser assumes all risk and liability whatever in connection therewith. Where permitted by law, the implied warranty of merchantability is expressly excluded. If the products sold hereunder are "consumer products," the implied warranty of merchantability is limited to a period of three years and shall be limited solely to the replacement of the defective goods. All weights stated in our catalogs and lists are approximate and are not guaranteed.

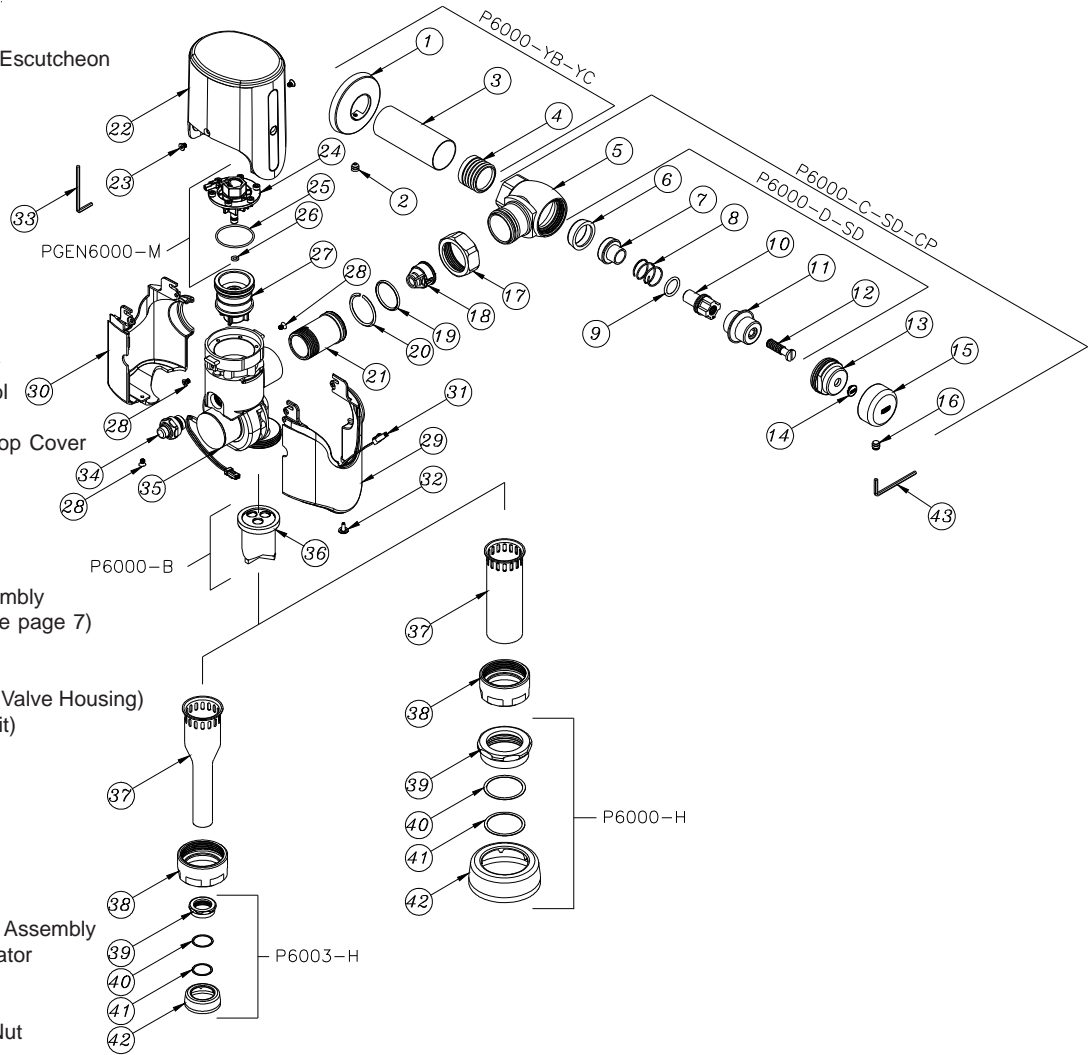
Customer service Phone Number: 1-800-997-3876



ZGEN6200EV HydroVantage Valve

Parts Identification

1. Cast Wall Escutcheon
2. Setscrew for Cast Wall Escutcheon
3. Supply Cover Tube
4. Sweat Solder Adapter
5. Stop Body
6. Piston Seal
7. Piston
8. Stop Spring
9. Guide O-Ring
10. Piston Guide
11. Guide Holder
12. Adjusting Screw
13. Stop Cap
14. Snap Cap Screw Cover
15. Vandal-Resistant Control Stop Cover
16. Setscrew for Control Stop Cover
17. Locking Nut
18. Filter
19. Tailpiece O-Ring
20. Snap Ring
21. Tailpiece
22. Valve Cap/Sensor Assembly
(For detailed breakdown see page 7)
23. Valve Cap Screw
24. Solenoid Repair Kit
25. Flange O-Ring (Primary Valve Housing)
26. Flange O-Ring (Piston Kit)
27. Piston Kit
28. Shell Screw
29. Primary Shell
30. Secondary Shell
31. RS232 Cable Assembly
32. RS232 Plug
33. 2.5mm Security Wrench
34. Manual Override Button Assembly
35. Valve Body with Generator
36. Vacuum Breaker
37. Vacuum Breaker Tube
38. Vacuum Breaker Tube Nut
39. Spud Nut
40. Spud Friction Washer
41. Spud Sleeve
42. Spud Escutcheon
43. 5/64 Allen Wrench



| Control Stop Repair Kit and Parts | Product No. |
|--|-------------|
| Control Stop Repair Kit for 1" and 3/4", Includes Items 6-12 | P6000-D-SD |
| Seal Seat for 1" and 3/4", Includes Item 6 | P6000-D42 |
| Sweat Solder Adapter, Includes Item 4 | P6000-YBA |

| Repair Parts | Product No. |
|---|----------------|
| Filter Replacement, Item 18 | See Next Sheet |
| HydroVantage Replacement Screws, Items 23, 28, 44, & 49 | PGEN6200-S-KIT |
| Vandal Resistant Valve Cap Screws, Items 23 & 33 | PGEN6200-L-S |
| Interface Cable, 31 & 32 | PGEN6200-IC |

| Covers and Repair Kits | Product No. |
|---|----------------|
| Hydro Generator Replacement Kit, Items 17-21 & 35 | See Next Sheet |
| Valve Cap, Items 23, 33 & 51 | PGEN6200-L |
| Lower Body Housing Replacement Kit, Items 23, 28-33 | PGEN6200-HSA |
| Push Button Replacement Kit, Item 34 | PGEN6200-MOB |
| Vacuum Breaker Tube Nut for HydroVantage, Item 38 | PGEN6200-AA-CP |

| Solenoid and Valve Kits | Product No. |
|--|-----------------|
| Solenoid Replacement Kit, Items 24-26 | PGEN6200-M |
| Solenoid O-Rings, Includes Items 25-26 | PGEN6200-M-RING |
| Piston Replacement Kit, Item 27 | See Next Sheet |

ZURN INDUSTRIES, LLC. ♦ COMMERCIAL BRASS OPERATION ♦ 5900 ELWIN BUCHANAN DRIVE ♦ SANFORD NC 27330

Phone: 1-800-997-3876 ♦ Fax: 919-775-3541 ♦ World Wide Web: www.zurn.com

In Canada: ZURN INDUSTRIES LIMITED ♦ 3544 Nashua Drive ♦ Mississauga, Ontario L4V1L2 ♦ Phone: 905-405-8272 Fax: 905-405-1292

WARNING!

Replacement parts must be matched to the original flow volume of the valve. The flow volume of the valve is designated on the label located on the underside of the tailpiece (connection to control stop). Mismatching of components will cause **SEVERE PERMANENT DAMAGE** to the valve and will void the warranty

| | | |
|--|------------------|-----------------|
| Hydro Generator Replacement Kit (1.6 and 1.28 GPF) | Items 17-21 & 35 | PGEN6200-GEN |
| Hydro Generator Replacement Kit (1.0 and 0.5 GPF) | Items 17-21 & 35 | PGEN6203-GEN |
| Hydro Generator Replacement Kit (0.25 & 0.125 GPF) | Items 17-21 & 35 | PGEN6203-GEN-LF |
| Sensor Assembly (1.6 and 1.28 GPF) | Item 50 | PGEN6200-SR |
| Sensor Assembly (Urinal) | Item 50 | PGEN6203-SR |

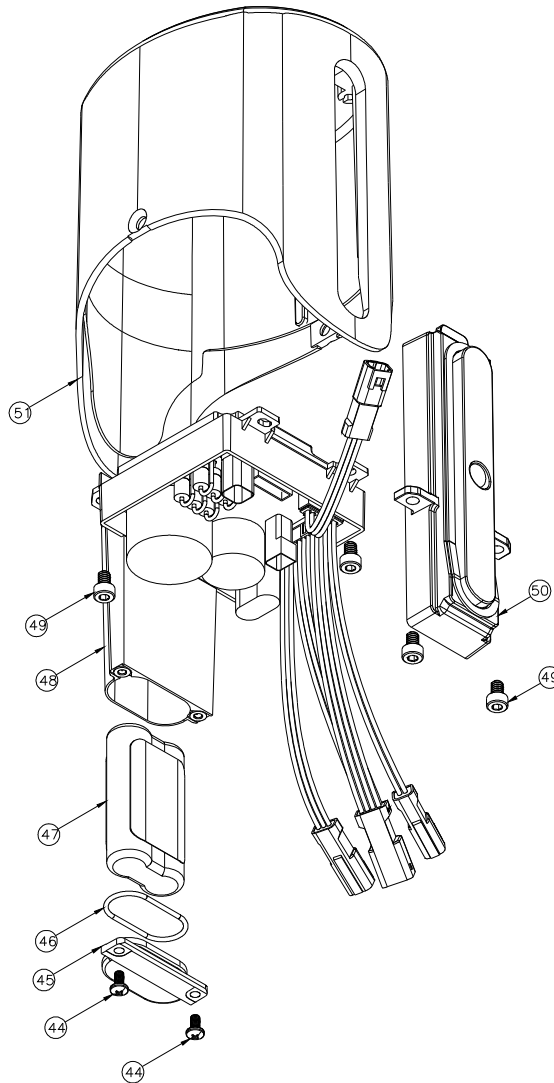
| | 1.6 and 1.28 (Closet) | 1.0 and 0.5 (Urinal) | 0.25 and 0.125 (Urinal) |
|---------------|---|---|--|
| KIT | <p>PGEN6200-EC (Item 27)</p>  <p>White Body</p> <p>White Nut</p> | <p>PGEN6203-EU (Item 27)</p>  <p>White Body</p> <p>Black Nut</p> | <p>PGEN6203-EU-LF (Item 27)</p>  <p>Black Body</p> <p>Blue Nut</p> |
| FILTER | <p>PGEN6200-FA (Item 18)</p>  <p>Clear</p> | <p>PGEN6203-FA (Item 18)</p>  <p>Black</p> | <p>PGEN6203-FA-LF (Item 18)</p>  <p>Black with Integral Flow Regulator</p> |



ZGEN6200EV HydroVantage Electronics

Parts Identification

- 44. Battery Door Screws
- 45. Battery Door
- 46. Battery Door O-ring
- 47. Battery Pack (Return envelope & recycling included.)
- 48. Electronics Assembly
- 49. Screw
- 50. Sensor Assembly
- 51. Valve Cap



Warning!

Replacement parts must be matched to the original flow volume of the valve. The flow volume of the valve is designated on the label located on the underside of the tailpiece (connection to control stop.) Mismatching of components will cause **SEVERE PERMANENT DAMAGE** to the valve and will void the warranty.

| Sensor Replacement Parts | Product No. |
|---|--------------------|
| Sensor Assembly, Item 50 | See Previous Sheet |
| 1.6 gpf Cap, Electronics and Sensor Assembly, Item 22 | PGEN6200-LL-1.6 |
| 1.28 gpf Cap, Electronics and Sensor Assembly, Item 22 | PGEN6200-LL-1.28 |
| 1.0 gpf Cap, Electronics and Sensor Assembly, Item 22 | PGEN6203-LL-1.0 |
| 0.5 gpf Cap, Electronics and Sensor Assembly, Item 22 | PGEN6203-LL-0.5 |
| 0.25 gpf Cap, Electronics and Sensor Assembly, Item 22 | PGEN6203-LL-0.25 |
| 0.125 gpf Cap, Electronics and Sensor Assembly, Item 22 | PGEN6203-LL-0.125 |

| Electronics Replacement Parts | Product No. |
|---|-------------------|
| 1.6 gpf Electronics Assembly, Item 48 | PGEN6200-EL-1.28 |
| 1.28 gpf Electronics Assembly, Item 48 | PGEN6200-EL-1.6 |
| 1.0 gpf Electronics Assembly, Item 48 | PGEN6203-EL-1.0 |
| 0.5 gpf Electronics Assembly, Item 48 | PGEN6203-EL-0.5 |
| 0.25 gpf Electronics Assembly, Item 48 | PGEN6203-EL-0.25 |
| 0.125 gpf Electronics Assembly, Item 48 | PGEN6203-EL-0.125 |
| Battery Drawer Repair Kit, Items 44-46 | PGEN6200-BD-KIT |
| Replacement Battery, Item 47 | PGEN6200-BAT |

ZURN INDUSTRIES, LLC. ♦ COMMERCIAL BRASS OPERATION ♦ 5900 ELWIN BUCHANAN DRIVE ♦ SANFORD NC 27330

Phone: 1-800-997-3876 ♦ Fax: 919-775-3541 ♦ World Wide Web: www.zurn.com

In Canada: ZURN INDUSTRIES LIMITED ♦ 3544 Nashua Drive ♦ Mississauga, Ontario L4V1L2 ♦ Phone: 905-405-8272 Fax: 905-405-1292

FV520 Rev. C 6/27/11

Page 9