



AquaSense® Z6912, Z6913 and Z6915 Series

Sensor-Operated Lavatory Faucets
for Battery or Plug-In Installations

Installation, Operation,
Maintenance, and Parts Manual

Patented and Patents Pending



AquaSense 'A'
Battery-Powered Faucets



Z6912

Sensor-Operated Battery-Powered Lavatory Faucets

Z6912

Z6913

Z6915



Z6913



Z6915

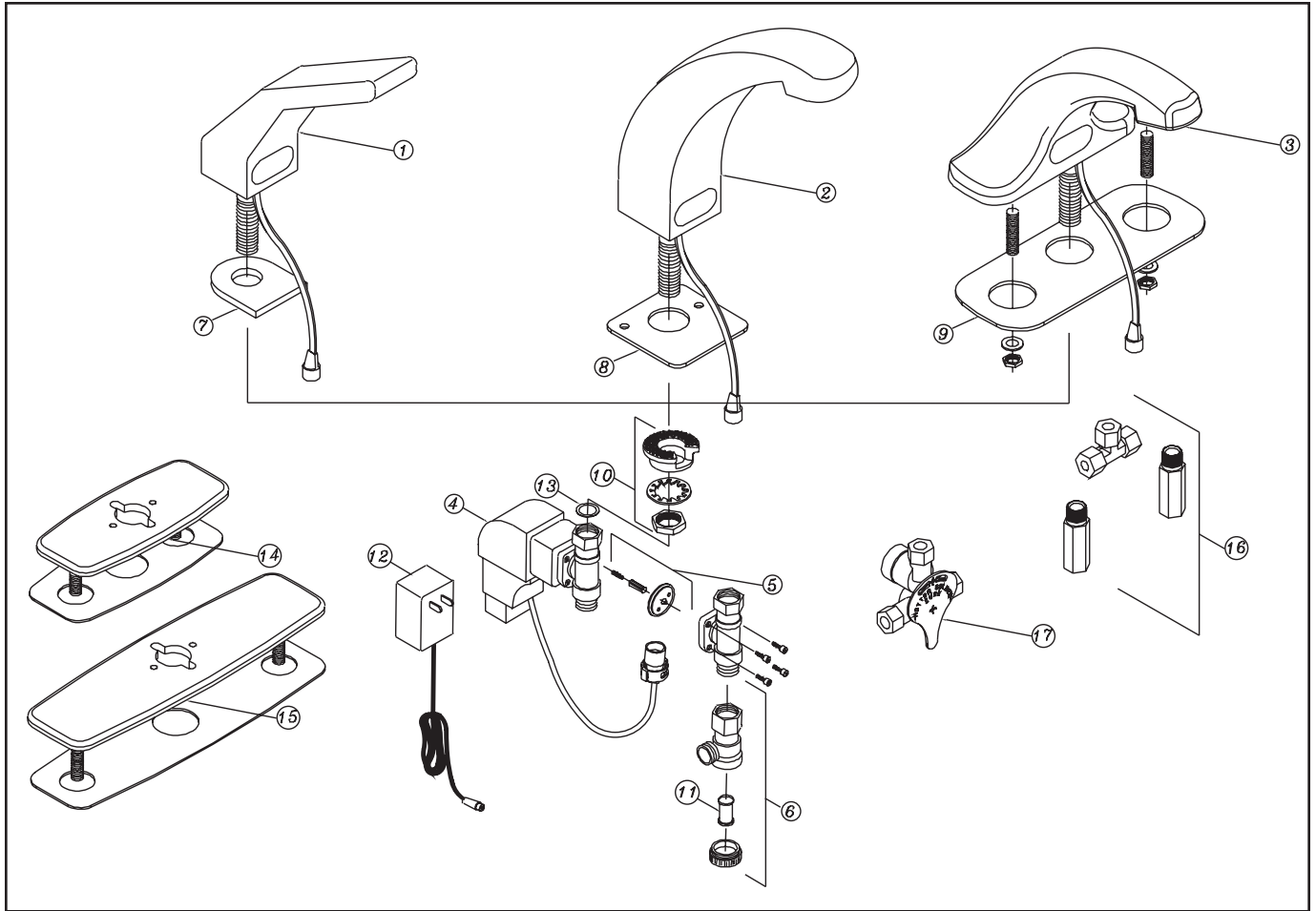
LIMITED WARRANTY

All goods sold hereunder are warranted to be free from defects in material and factory workmanship for a period of three years from the date of purchase. Decorative finishes warranted for one year. We will replace at no cost goods that prove defective provided we are notified in writing of such defect and the goods are returned to us prepaid at Sanford, NC, with evidence that they have been properly maintained and used in accordance with instructions. We shall not be responsible for any labor charges or any loss, injury or damages whatsoever, including incidental or consequential damages. The sole and exclusive remedy shall be limited to the replacement of the defective goods. Before installation and use, the purchaser shall determine the suitability of the product for his intended use and the purchaser assumes all risk and liability whatever in connection therewith. Where permitted by law, the implied warranty of merchantability is expressly excluded. If the products sold hereunder are "consumer products," the implied warranty of merchantability is limited to a period of three years and shall be limited solely to the replacement of the defective goods. All weights stated in our catalogs and lists are approximate and are not guaranteed.

Z6912, Z6913, and Z6915 Repair Kits



AquaSense 'A'
Battery-Powered Faucets



Description	Product No.
1. Z6912 Spout Assembly with Sensor	P6912-1
2. Z6913 Spout Assembly with Sensor	P6913-1
3. Z6915 Spout Assembly with Sensor	P6915-1
4. Electronics Box with Solenoid	P6900-B-L
5. Solenoid Rebuild Kit (Diaphragm, Plunger, and Plunger Spring)	P6900-SRK
6. Filter Kit	P6900-120
7. Z6912 Base Plate Gasket	P6912-42
8. Z6913 Base Plate Gasket	P6913-42
9. Z6915 Base Plate Gasket	P6915-42
10. Mounting Kit	P6900-43
11. Filter Screen	P6900-MV-7
12. Optional Plug-in Power Converter	P6900-ACA
13. Shank Connection Gasket	P6900-SG
14. 4" Cast Cover Plate with Gasket	P6913-12CP4
15. 8" Cast Cover Plate with Gasket	P6913-12CP8
16. Mixing Tee with Filters and Backchecks	P6900-MT
17. Mixing Valve with Filter	P6900-MV