



AquaVantage® AV Z6000AV Series

AquaVantage Exposed Flushometer
Installation, Operation,
Maintenance, and Parts Manual

Patented and Patents Pending



Z6000AV



Z6003AV



**AquaVantage® Exposed
Closet/Urinal Systems**

**Z6000AV
Z6000AV-HET
Z6001AV
Z6003AV
Z6003AV-ULF
Z6010AV
Z6014AV
Z6017AV
Z6096AV
Z6099AV**

LIMITED WARRANTY

All goods sold hereunder are warranted to be free from defects in material and factory workmanship for a period of three years from the date of purchase. Decorative finishes warranted for one year. We will replace at no cost goods that prove defective provided we are notified in writing of such defect and the goods are returned to us prepaid at Sanford, NC, with evidence that they have been properly maintained and used in accordance with instructions. We shall not be responsible for any labor charges or any loss, injury or damages whatsoever, including incidental or consequential damages. The sole and exclusive remedy shall be limited to the replacement of the defective goods. Before installation and use, the purchaser shall determine the suitability of the product for his intended use and the purchaser assumes all risk and liability whatever in connection therewith. Where permitted by law, the implied warranty of merchantability is expressly excluded. If the products sold hereunder are "consumer products," the implied warranty of merchantability is limited to a period of three years and shall be limited solely to the replacement of the defective goods. All weights stated in our catalogs and lists are approximate and are not guaranteed.

AquaVantage® Rough-In, Product Specification, Models, and Options

ENGINEERING SPECIFICATION: ZURN AquaVantage® 'AV' Exposed Closet Flush Valve – Exposed, quiet diaphragm type, chrome-plated flushometer valve with a polished exterior. Complete with Zurn's AquaVantage TPE, chloramine resistant, dual seal diaphragm with a clog resistant, triple filtered by-pass. The valve is ADA compliant with a non-hold-open and no-leak handle feature, high back pressure vacuum breaker, one-piece hex coupling nut, adjustable tailpiece, spud coupling, and flange for spud connection. Control stop has internal siphon-guard protection, vandal-resistant stop cap, sweat solder kit, and a cast wall flange with setscrew. Internal seals are made of chloramine resistant materials.

MODELS

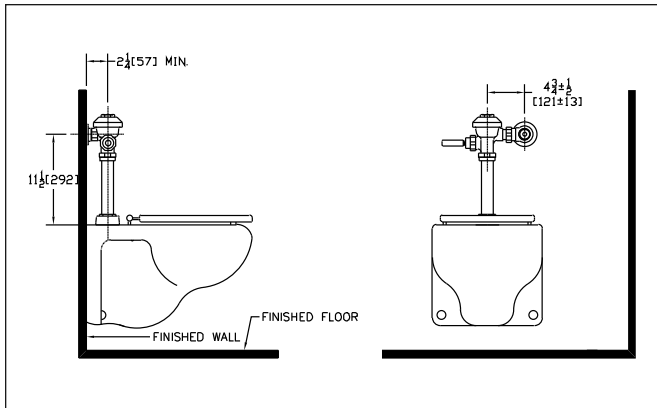
- Z6000AV – 1-1/2" Water Closet Valve with top spud connection
- Z6010AV – 1-1/2" Water Closet Valve with back spud connection
- Z6001AV – 1-1/4" Urinal Valve with top spud connection
- Z6003AV – 3/4" Urinal Valve with top spud connection

FLOWS

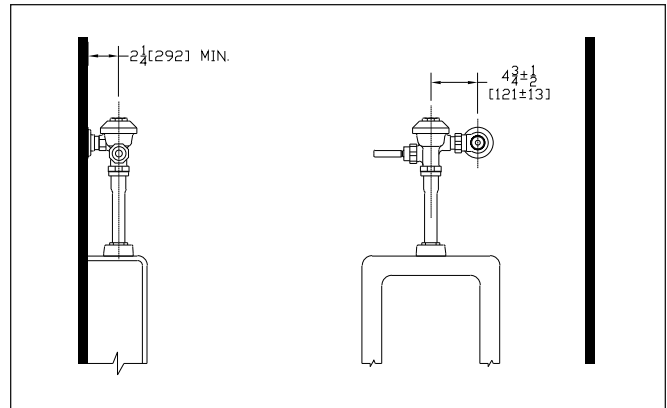
- WS1 Low Consumption
1.0 Gal. for Urinal, 1.6 Gal. for Water Closet
- FF Full Flow
3.0 Gal. for Urinal, 4.5 Gal. for Water Closet
- HET High Efficiency
1.28 Gal. for Water Closet
- ULF Ultra Low Flow
0.125 Gal. for Urinal

OPTIONS

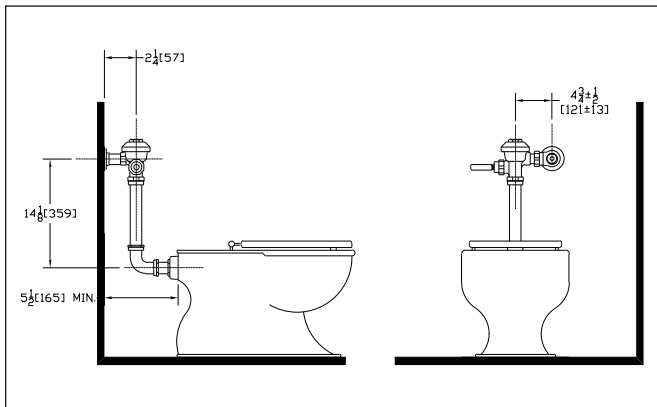
- _____ -BG BioCare ADA Handle
- _____ -H Handle on Front of Flush Valve
- _____ -L 1" [25] Metal Push Button
- _____ -L3 3" [76] Metal Push Button
- _____ -YJ Split Ring Pipe Support
- _____ -YK Solid Ring Pipe Support
- _____ -YO Bumper on Stop Valve
- _____ -1 16" Rough-In
- _____ -2 24" Rough-In
- _____ Other



Models: Z6000AV, Z6000AV-1, Z6000AV-2, Z6000AV-3,
-WS1 (Water Saver) 1.6 Gal. Low Consumption
-HET (High Efficiency Toilet) 1.28 Gal.



Models: Z6001AV (1-1/4" Urinal Flush Valve)
Z6003AV (3/4" Urinal Flush Valve)
-WS1 (Water Saver) 1.0 Gal. Low Consumption
-ULF (Ultra Low Flow) 0.125 Gal.

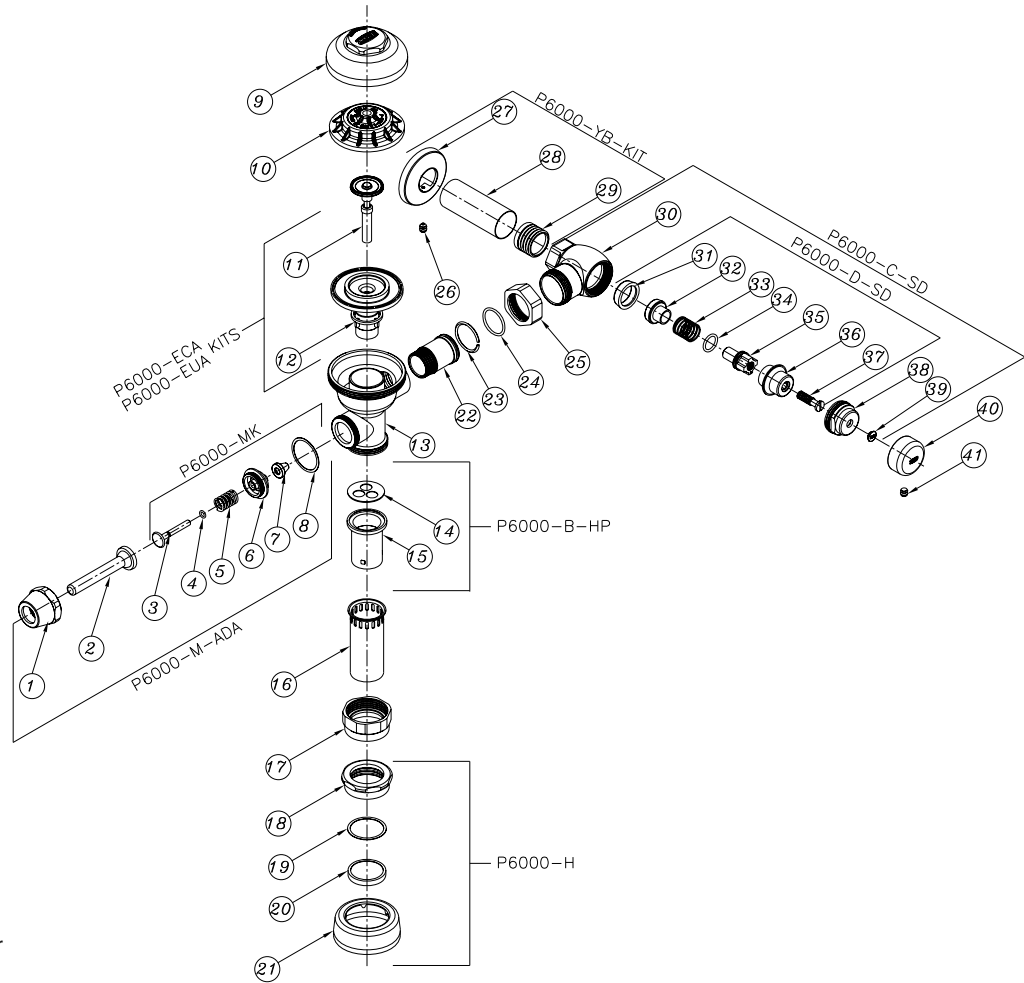


Models: Z6010AV, Z6010AV-1, Z6010AV-2
-WS1 (Water Saver) 1.6 Gal. Low Consumption
-HET (High Efficiency Toilet) 1.28 Gal.

AquaVantage® Repair Kits

Part Identification

1. Handle Sleeve and Insert
2. Low Force/ADA Compliant Handle
3. Actuator Rod
4. Handle O-Ring
5. Handle Spring
6. Handle Retainer
7. Handle Seal
8. Gasket
9. Valve Body Cover
10. Plastic Cover
11. Trip Mechanism
12. Diaphragm Repair Kit
13. Valve Body
14. Vacuum Breaker Insert
15. Vacuum Breaker Duckbill
16. Vacuum Breaker Tube
17. Vacuum Breaker Tube Nut
18. Spud Nut
19. Spud Friction Washer
20. Spud Sleeve
21. Spud Escutcheon
22. Tailpiece
23. Snap Ring
24. Tailpiece O-Ring
25. Locking Nut
26. Setscrew for Cast Wall Flange
27. Cast Wall Escutcheon
28. Supply Cover Tube
29. Sweat Solder Adapter
30. Stop Body
31. Piston Seal
32. Piston
33. Stop Spring
34. Guide O-Ring
35. Piston Guide
36. Guide Holder
37. Adjusting Screw
38. Stop Cap
39. Snap Cap Screw Cover
40. Vandal-Resistant Control Stop Cover
41. Setscrew for Control Stop Cover



Covers and Repair Kits	Product No.
Outside Cover - CP – Item 9	P6000-LL
Inside Cover – Item 10	P6000-L
High Efficiency Toilet Closet Kit – 1.28 gal. flush	P6000-ECA-HET
Ultra Low Flow Urinal Kit – 0.125 gal. flush	P6000-EUA-ULF
Low Consumption Closet Kit – 1.6 gal. flush	P6000-ECA-WS1
Water Saving Closet Kit – 3.5 gal. flush	P6000-ECA-WS
Full Flow Closet Kit – 4.5 gal. flush	P6000-ECA-FF
Low Consumption Urinal Kit – 1.0 gal. flush	P6000-EUA-WS1
Water Saving Urinal Kit – 1.5 gal. flush	P6000-EUA-WS
Full Flow Urinal Kit – 3.0 gal. flush	P6000-EUA-FF

Repair Parts – Inside Parts	Product No.
Urinal Relief Valve – Item 11	P6000-EU13
Closet Relief Valve – Item 11	P6000-EC13

AquaVantage Rebuild Kits	Product No.
Closet and Urinal Rebuild Kits Include Items 3-8, 11, 12, 14, 15, 24 (Specify flow rate)	P6000-ECA-__-RK

Handle Assembly and Repair Kits	Product No.
ADA Handle Assembly (Side) Includes Items 1-8	P6000-M-ADA
Handle Repair Kit (Side) Includes Items 3-8	P6000-MK
Handle Seal Includes Item 7	P6000-M9
Handle Gasket Includes Item 8	P6000-M10
Repair Kit for Front Operation – Exposed Includes Items 3-8	P6000-MHK
Handle Assembly (Front) Includes Items 1-8	P6000-MH

Control Stop Repair Kit and Parts	Product No.
Control Stop Repair Kit for 1" and 3/4", Includes Items 31-37	P6000-D-SD
Seal Seat for 1" and 3/4", Includes Item 31	P6000-D42
VP Control Stop Replacement for 1" and 3/4", Includes Items 30-39	P6000-C-SD
Sweat Solder Connection with Cast Wall Flange Includes Items 26-29	P6000-YB

Adjustable Tailpieces	Product No.
Adjustable Tailpiece for Standard Flush Valve Includes Items 22-24	P6000-J1
Tailpiece Coupling Assembly Includes Items 23-25	P6000-K
Tailpiece Locking Ring Includes Item 23	P6000-C30
Tailpiece O-Ring Includes Item 24	P6000-C31
Coupling Nut Includes Item 25	P6000-C32

Flush Connections and Spud Coupling Kits	Product No.
Flush Tube Assembly for Flush Valves Includes Items 14-16. Specify diameter and length.	P6000-A-HP
Vacuum Breaker Repair Kit Includes Items 14-15	P6000-B-HP
Spud Coupling Assembly Includes Items 18-21. Specify size.	P6000-H