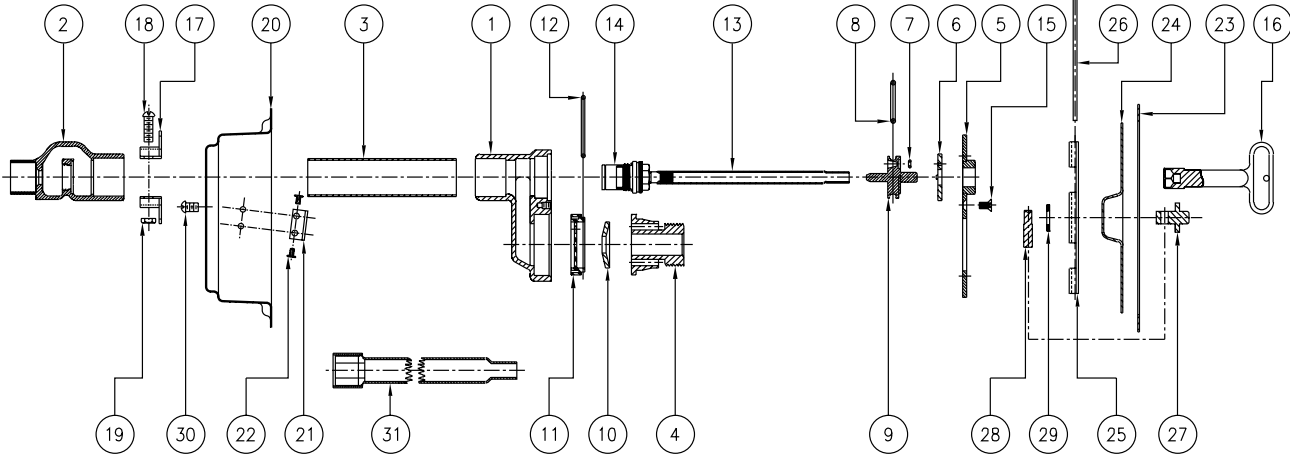


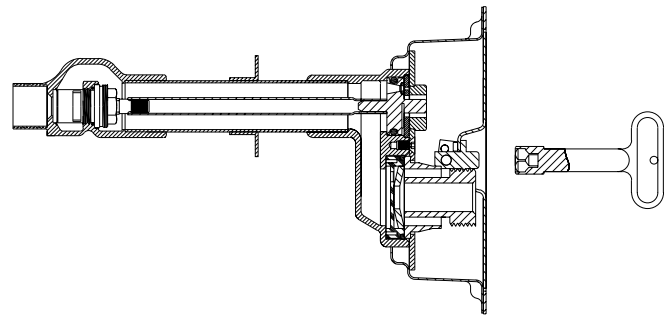
Z1320 ECOLOTROL WALL HYDRANT WITH CERAMIC DISC Parts Assembly, Parts List, and Operating Rod Assemblies

Z1320 Parts Assembly



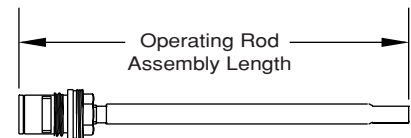
Z1320 Parts List

| Item | Description | Qty. | Part No. |
|------|-----------------------------|------|-----------|
| 1 | Head | 1 | 59634-001 |
| 2 | Cartridge Housing | 1 | 59629-004 |
| 3 | Casing | 1 | 60225-XXX |
| 4 | 3/4" Nozzle | 1 | 50799-005 |
| 5 | Faceplate | 1 | 56115-003 |
| *6 | Retaining Washer | 1 | 60228-001 |
| *7 | O-Ring | 1 | 23750-232 |
| *8 | O-Ring | 1 | 23750-028 |
| *9 | Operating Coupling | 1 | 60227-002 |
| *10 | Equa-Balance® Seal | 1 | 50785-001 |
| 11 | Disc | 1 | 50819-001 |
| *12 | Disc O-Ring | 1 | 23750-204 |
| 13 | Operating Tube | 1 | 60226-XXX |
| 14 | Cartridge Assembly | 1 | 59626-001 |
| 15 | Faceplate Screw | 5 | 22698-047 |
| *16 | Key | 1 | 59546-001 |
| 17 | Wall Clamp (Optional) | 2 | 56071-002 |
| 18 | Clamp Screw (Optional) | 2 | 14853-046 |
| 19 | Clamp Nut (Optional) | 2 | 14850-002 |
| 20 | Hydrant Body | 1 | 56186-001 |
| 21 | Lock Clip | 1 | 52033-002 |
| 22 | Lock Clip Rivet | 2 | 56201-002 |
| 23 | Frame | 1 | 56185-001 |
| 24 | Hydrant Cover | 1 | 56187-002 |
| 25 | Hinge Bracket | 1 | 58482-001 |
| 26 | Hinge Pin | 1 | 58483-001 |
| 27 | Locking Pin Mounting | 1 | 25306-001 |
| 28 | Locking Pin | 1 | 25307-001 |
| 29 | Washer | 1 | 61631-001 |
| 30 | Screw #10-24 NC | 2 | 14853-042 |
| 31 | Cartridge Wrench (Optional) | 1 | 62078-XXX |



Operating Rod Assemblies

| | |
|----------|---------|
| 6" Wall | 6-1/8" |
| 8" Wall | 8-1/8" |
| 10" Wall | 10-1/8" |
| 12" Wall | 12-1/8" |
| 14" Wall | 14-1/8" |
| 16" Wall | 16-1/8" |
| 18" Wall | 18-1/8" |
| 20" Wall | 20-1/8" |
| 22" Wall | 22-1/8" |
| 24" Wall | 24-1/8" |
| 26" Wall | 26-1/8" |
| 30" Wall | 30-1/8" |



*Items are available in -RK Repair Kit Option bag (#66955-195-9).

Z1320 ECOLOTROL WALL HYDRANT WITH CERAMIC DISC Troubleshooting Guide

Z1320 Troubleshooting Guide

| PROBLEM | CAUSE | SOLUTION |
|--|--|--|
| Hydrant will not operate when turned on. | Water supply is shut off. | Turn on water supply. |
| Cannot turn the hydrant on with key. | Retaining washer is not properly orientated. | See "Orientating the Retaining Washer" below. |
| | Hydrant hasn't been used for a long time – O-Ring has adhered to the operating screw and head. | Follow steps 1-2, 4-5, and 8-10 of the Service Guide. |
| | Ceramic disc is broken and jammed. | Follow steps 1-2, 4, and 6-10 of the Service Guide. |
| Water sprays from holes around nozzle when hydrant is on. | Equa-Balance® seal is damaged. | Follow steps 1-3 and 8-10 of the Service Guide. |
| Water sprays through the faceplate's keyway drainage port when the hydrant is on. | Retaining washer pin is not properly orientated into operating coupling groove. | See "Orientating the Retaining Washer" below. |
| | Operating coupling's O-Ring or air relief orifice O-Ring is damaged or missing. | Follow steps 1-2, 4-5, and 8-10 of the Service Guide. |
| Hydrant will not self-drain when it is shut off (hose and hose nozzle are attached). | The orifice in the operating coupling, retaining washer, or both is blocked. | Follow steps 1-2, 4 (using a paper clip, evacuate debris from orifice), and 8-10 of the Service Guide. |
| | Operating coupling is not properly orientated. | See "Orientating the Retaining Washer" below. |
| Water does not shut off completely when hydrant is turned off. | Retaining washer is not properly orientated. | See "Orientating the Retaining Washer" below. |
| | Cartridge assembly is loose or damaged. | Follow steps 1-2, 4 (then check that the cartridge assembly is tightly seated), and 6-10 of the Service Guide. |
| | Debris in the ceramic disc, or disc is broken and jammed. | Follow steps 1-2, 4, and 6-10 of the Service Guide. |
| Hydrant exhibits low flow. | Water supply to the hydrant is restricted. | Check water supply to ensure that all upstream valves are fully open. |
| | Retaining washer is not properly orientated. | See "Orientating the Retaining Washer" below. |
| | Cartridge assembly is damaged or debris in the ceramic disk. | Follow steps 1-2, 4, and 6-10 of the Service Guide. |

Orientating the Retaining Washer

If hydrant performance is hindered by the orientation of the retaining washer (**see Troubleshooting Guide**) then follow these simple steps:

Step 1: Turn water supply to hydrant off.

Step 2: Loosen the five faceplate screws (#15) (DO NOT COMPLETELY REMOVE).

Step 3: Use the operating key to gently cycle the hydrant from OFF to ON and back to OFF again (180° OF ROTATION).

Step 4: Tighten the five faceplate screws (#15) until screws are snugged tight (by hand only).