

MODEL 375, 475 & 475V

Lead-Free* Reduced Pressure Principle Backflow Preventers 2 1/2" & 3"

WILKINS®

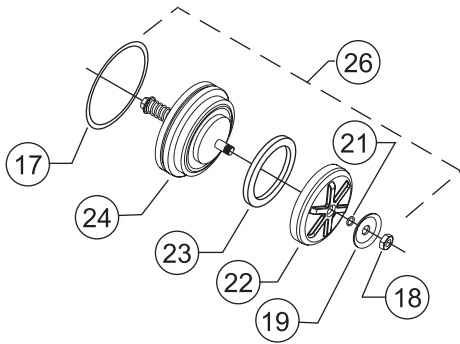
a **ZURN**® company

*This product contains a weighted average lead content less than 0.25% for wetted surfaces.

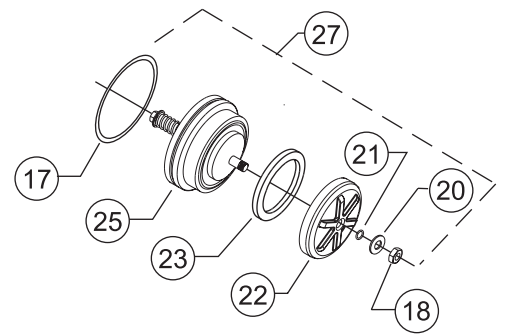
ITEM NO.	DESCRIPTION	2 1/2"	3"
1	GATE VALVE, NRS	212-48	3-48
	GATE VALVE, OS&Y	212-48OSY	3-48OSY
	GATE VALVE, OS&Y (F&G)	212-48OSYGXF	3-48OSYGXF
2	BOLT, FLANGE	558-11D	558-11D
3	NUT, FLANGE	558-9	558-9
4	GASKET, FLANGE	557-13	558-13
5	O-RING, CONTROL UNIT	032N	032N
6	RELIEF VALVE ASSY	3707-CU-XL	3707-CU-XL
7	BOLT, RELIEF VALVE	554-11A	554-11A
8	SEAT RETAINER #2	3507-14G	3507-14G
9	SEAT RETAINER #1	3507-14F	3507-14F
10	COVER	3507-3C	3507-3C
11	COVER RETAINER ASSY	5-23	5-23
12	BULKHEAD FITTING ASSY	BHF1CXL-100	BHF1CXL-100
13	BALL VALVE	12-850XL	12-850XL
14	COUPLING	12-51	12-51
15	NIPPLE, LONG	558-21B	558-21B
16	PLUG	558-7	558-7
17	O-RING	245N	245N
18	NUT, POPPET RETAINER	3507-9	3507-9
19	HANDLE, #1 POPPET ASSY	3507-14E	3507-14E
20	WASHER	3507-14D	3507-14D
21	O-RING	WK-111N	WK-111N
22	POPPET RETAINER	3507-14	3507-14
23	SEAL RING	3507-12	3507-12
24	SEAT ASSEMBLY, #1 POPPET	3707-180	3707-180
25	SEAT ASSEMBLY, #2 POPPET	3507-180A	3507-180A
26	#1 CHECK ASSEMBLY	3707-300	3707-300
27	#2 CHECK ASSEMBLY	3507-300A	3507-300A
28	BULKHEAD FITTING ASSY	BHF1BXL-100	BHF1BXL-100
29	SENSING TUBE FITTING, CU COVER	5758A-36	5758A-36
30	SENSING TUBE FITTING, BODY	3709-29	3709-29
31	SENSING TUBE	3707-36	3707-36
32	BALL VALVE	12-850MXL	12-850MXL
33	BULKHEAD FITTING, GASKET	BHF1-13	BHF1-13
34	GASKET, COVER RETAINER	5-23-13	5-23-13

REPAIR KITS

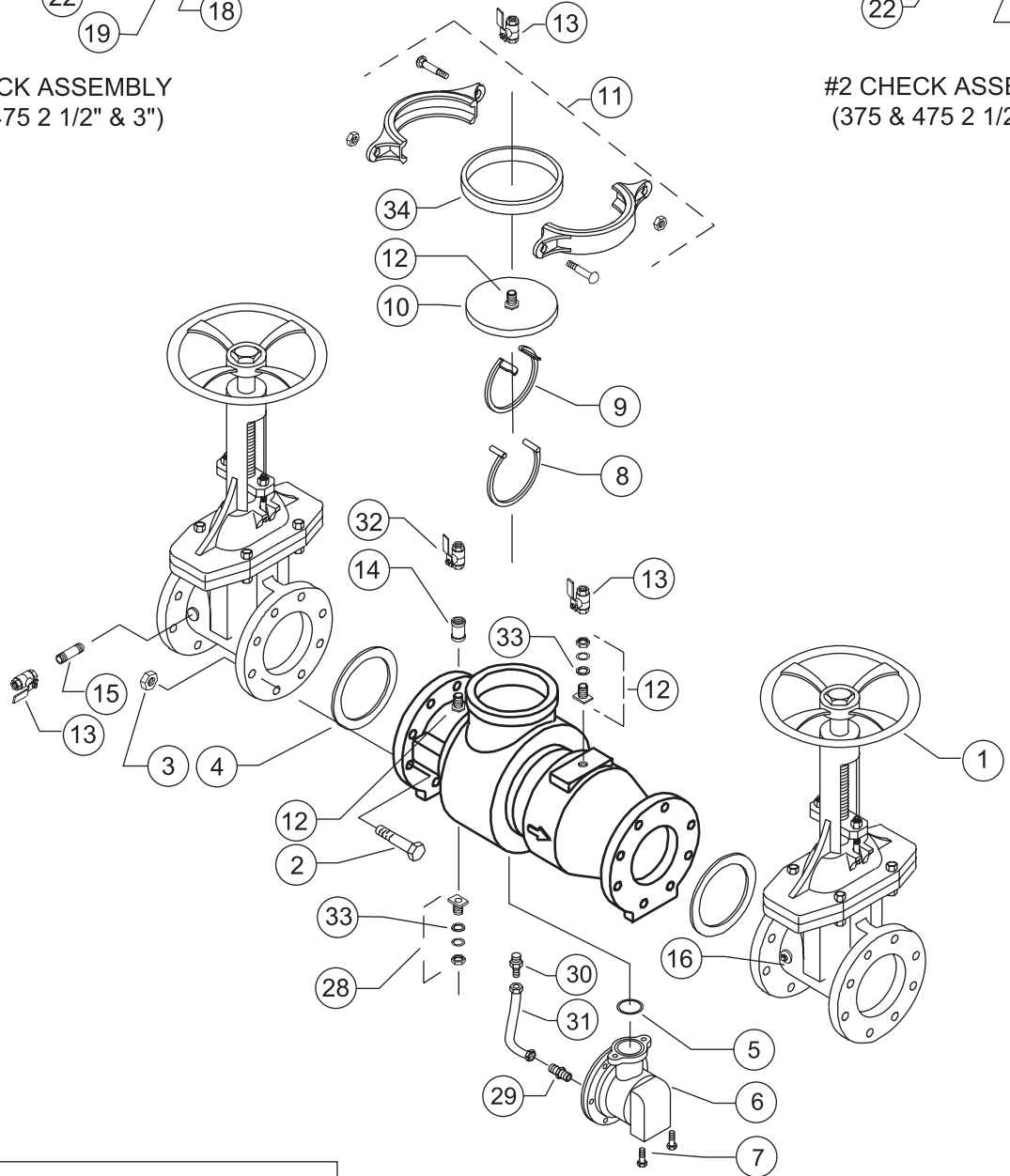
RK212-350		REPAIR KIT MODELS 375 & 475(V), 2 1/2", 3"	
PART NO.	QTY.	DESCRIPTION	
3507-12	2	SEAL RING	
245N	2	O-RING	
WK-111N	2	O-RING	



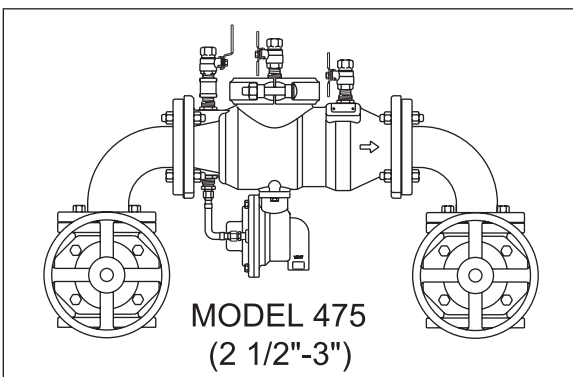
#1 CHECK ASSEMBLY
(375 & 475 2 1/2" & 3")



#2 CHECK ASSEMBLY
(375 & 475 2 1/2" & 3")



MODEL 375
(2 1/2"-3")



MODEL 375, 375A, 375AST, 475 & 475V Relief Valve 2 1/2" to 10"

RELIEF VALVE COMPLETE			3707-CU-XL		3711-CU-XL
ITEM NO.	DESCRIPTION	QTY.	2 1/2"-6"	QTY.	8" & 10"
1	BOLT, COVER	6	554-11A	8	957-11
2	O-RING	1	222N	1	227N
3	UPPER PLUNGER	1	3707-34	1	3711-34
4	DIAPHRAGM	1	3707-43	1	3711-43
5	LOWER PLUNGER	1	3707-34A	1	3711-34A
6	SEAL RING	1	3707-12	1	3711-12
7	SEAL RETAINER	1	3707-14	1	3711-14
8	SCREW	1	558-11E	1	558-11E
9	CU SPRING	1	3707-33A	1	3711A-33
10	CU SEAT	1	3707-18	1	3711-18
11	O-RING	1	032N	1	146N
12	WASHER	1	N/A	1	3707-14
13	STEM ASSY.	1	3707-50	1	3711-50
14	O-RING	1	032N	1	142N

REPAIR KITS

REPAIR KITS, RUBBER			RK212-375R 2 1/2"- 6"	RK8-375R 8" & 10"
ITEM NO.	DESCRIPTION	QTY.	PART NO.	PART NO.
6	SEAL RING	1	3707-12	3711-12
4	DIAPHRAGM	1	3707-43	3711-43
2	O-RING	1	222N	227N
11	O-RING	1	032N	146N
14	O-RING	1	032N	142N

REPAIR KITS, COMPLETE			RK212-375 2 1/2"- 6"	RK8-375 8" & 10"
ITEM NO.	DESCRIPTION	QTY.	PART NO.	PART NO.
N/A	REPAIR KIT, RUBBER	1	RK212-375R	RK8-375R
9	SPRING	1	3707-33A	3711A-33

