



Product information presented here reflects conditions at time of publication. Consult factory regarding discrepancies or inconsistencies.

**PUMP COMPANY**

Zoeller Family of Water Solutions™

MAIL TO: P.O. BOX 16347 • Louisville, KY 40256-0347  
SHIP TO: 3649 Cane Run Road • Louisville, KY 40211-1961  
(502) 778-2731 • 1 (800) 928-PUMP • FAX (502) 774-3624

visit our web site:  
[www.zoeller.com](http://www.zoeller.com)

**REPLACEMENT PARTS LIST  
FOR MODELS:**

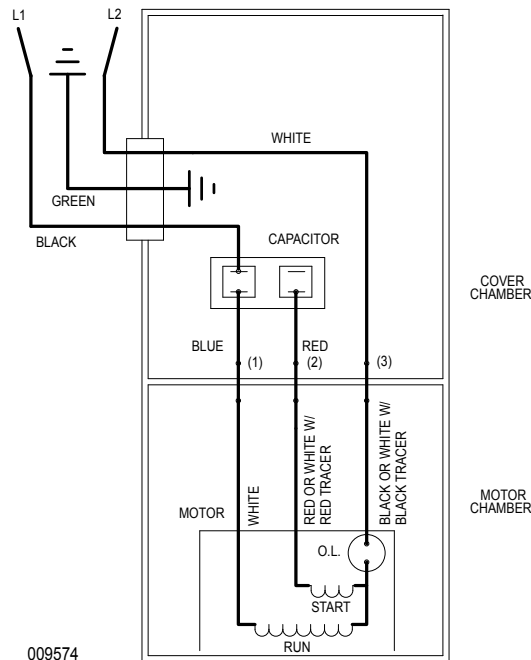
- N140 NONAUTOMATIC 115V**
- E140 NONAUTOMATIC 230V**
- N4140 NONAUTOMATIC 115V**
- E4140 NONAUTOMATIC 230V**
- N145 NONAUTOMATIC 115V**
- E145 NONAUTOMATIC 230V**
- N4145 NONAUTOMATIC 115V**
- E4145 NONAUTOMATIC 230V**

Consult factory for all other models

**TO ORDER REPLACEMENT PARTS:**

**PLEASE FURNISH THE FOLLOWING INFORMATION:**

- Model Number.
- Part Number of Pump.
- Part Number and Description of part.



009574

WIRING DIAGRAM FOR MODELS  
"N140" All Revisions; "N4140" All Revisions;  
"E140" All Revisions; "E4140" All Revisions  
2/95 thru Current  
"N145" & "E145" All Revisions; "N4145" & "E4145" All Revisions

**REPLACEMENT PARTS LIST FOR SINGLE SEAL MODELS "N140" and "E140".**

See page 6 for illustration.

REF NO.	DESCRIPTION	QTY	NOTES	MODELS:												
				N140-A	N140-B	N140-C	N140-D	N140-E	N140-F	E140-A	E140-B	E140-C	E140-D	E140-E	E140-F	
1	HANDLE	1		2/95 thru 5/97	2/95 thru 5/97	6/97 thru 9/02	10/02 thru 3/07	4/07 thru 4/08	5/08 thru 8/09	9/09 thru Current	2/95 thru 5/97	6/97 thru 9/02	10/02 thru 3/07	4/07 thru 6/08	7/08 thru 12/08	1/09 thru Current
2	CASE ASSEMBLY	1		2/95 thru 5/97	2/95 thru 5/97	6/97 thru 9/02	10/02 thru 3/07	4/07 thru 4/08	5/08 thru 8/09	9/09 thru Current	2/95 thru 5/97	6/97 thru 9/02	10/02 thru 3/07	4/07 thru 6/08	7/08 thru 12/08	1/09 thru Current
3	CASE GASKET	1		2/95 thru 5/97	2/95 thru 5/97	6/97 thru 9/02	10/02 thru 3/07	4/07 thru 4/08	5/08 thru 8/09	9/09 thru Current	2/95 thru 5/97	6/97 thru 9/02	10/02 thru 3/07	4/07 thru 6/08	7/08 thru 12/08	1/09 thru Current
4	POWER CORD	1	3	010156	010156	010156	010156	010156	010156	010156	010156	010156	010156	010156	010156	010156
5	SEAL ASSEMBLY POWER	1		010154	010154	010154	010154	010154	010154	010154	010154	010154	010154	010154	010154	010154
6	MOTOR HOUSING ASM/SOURCE	1	5	010156	010156	010156	010156	010156	010156	010156	010156	010156	010156	010156	010156	010156
	MOTOR HOUSING ASM/ZT			N/A	N/A	N/A	N/A	N/A	N/A	N/A	N/A	N/A	N/A	N/A	N/A	N/A
7	ROTOR & BRG ASM/SOURCE	1	5	010994	010994	010994	010994	010994	010994	010994	010994	010994	010994	010994	010994	010994
	ROTOR & BRG ASM/ZT			N/A	N/A	N/A	N/A	N/A	N/A	N/A	N/A	N/A	N/A	N/A	N/A	N/A
8	25 OZ OIL CAN	1		010330	010330	010330	010330	010330	010330	010330	010330	010330	010330	010330	010330	010330
9	16 OZ OIL CAN	N/A		N/A	N/A	N/A	N/A	N/A	N/A	N/A	N/A	N/A	N/A	N/A	N/A	N/A
10	SEAL ASSEMBLY	1		011681	011681	011681	011681	011681	011681	011681	011681	011681	011681	011681	011681	011681
11	SQUARE RING SEAL	1		267006	267006	267006	267006	267006	267006	267006	267006	267006	267006	267006	267006	267006
12	BASE	1		010324	010324	010324	010324	010324	010324	010324	010324	010324	010324	010324	010324	010324
13	HANDLE RETAINERS	2		267053	267053	267053	267053	267053	267053	267053	267053	267053	267053	267053	267053	267053
14	TERM INSULATOR	2		001797	001797	001797	001797	001797	001797	001797	001797	001797	001797	001797	001797	001797
15	WIRE PACK	1		010159	010159	010159	010159	010159	010159	010159	010159	010159	010159	010159	010159	010159
16	CAPACITOR ASSEMBLY	1	4	010160	010160	010160	010160	010160	010160	010160	010160	010160	010160	010160	010160	010160
17	BEARING RADIAL	1		009540	009540	009540	009540	009540	009540	009540	009540	009540	009540	009540	009540	009540
18	ADAPTER	N/A		N/A	N/A	N/A	N/A	N/A	N/A	N/A	N/A	N/A	N/A	N/A	N/A	N/A
19	PUMP HOUSING	1		009518	009518	009518	009518	009518	009518	009518	009518	009518	009518	009518	009518	009518
20	IMPELLER	1		011689	011689	011689	011689	011689	011689	011689	011689	011689	011689	011689	011689	011689
21	TEST PLUG	2		034090	034090	034090	034090	034090	034090	034090	034090	034090	034090	034090	034090	034090
22	SCREW 1/4-20X3/4	4		001916	001916	001916	001916	001916	001916	001916	001916	001916	001916	001916	001916	001916
23	SCREW 10-24X3/4	4		001885	001885	001885	001885	001885	001885	001885	001885	001885	001885	001885	001885	001885
24	SCREW 10-24X3/8	2		001883	001883	001883	001883	001883	001883	001883	001883	001883	001883	001883	001883	001883
25	SCREW 6-32X7/16	1		004644	004644	004644	004644	004644	004644	004644	004644	004644	004644	004644	004644	004644
26	WASHER#6	1		002117	002117	002117	002117	002117	002117	002117	002117	002117	002117	002117	002117	002117
27	GROUND SCREW	3		001877	001877	001877	001877	001877	001877	001877	001877	001877	001877	001877	001877	001877
28	THRU WALL TERMINAL	3		003402	003402	003402	003402	003402	003402	003402	003402	003402	003402	003402	003402	003402
29	SNAP RING & WASHER	N/A		N/A	N/A	N/A	N/A	N/A	N/A	N/A	N/A	N/A	N/A	N/A	N/A	N/A
30	SEM SCREW	1		002000	002000	002000	002000	002000	002000	002000	002000	002000	002000	002000	002000	002000
31	SCREW 1/2-20X	4		012491	012491	012491	012491	012491	012491	012491	012491	012491	012491	012491	012491	012491
32	CAP BRACKET	1		153350	153350	153350	153350	153350	153350	153350	153350	153350	153350	153350	153350	153350
□	REBUILD KIT	1		010173	010173	010173	010173	010173	010173	010173	010173	010173	010173	010173	010173	010173

• Items included in Rebuild Kit.

□ Not shown in illustration.

**NOTES:**

- 1) See FM0160 parts price sheet for listing of parts pricing.
- 2) "N/A" indicates not applicable
- 3) If an "x" follows model number or date of manufacture on brass I.D. tag, consult factory for ordering of this part.
- 4) When replacing capacitor assembly on "REV. A" pumps only (Item 16) customer must also replace the case assembly (Item 2).
- 5) When ordering motor housing (Item 6) or rotor and bearing (Item 7), specify either source or ZT motor. ZT stator can be identified by a completely round stator

# REPLACEMENT PARTS LIST FOR DOUBLE SEAL MODELS "N4140" and "E4140".

See page 6 for illustration.

REF NO.	DESCRIPTION	QTY	NOTES	MODELS:												E4140-F
				N4140-A	N4140-B	N4140-C	N4140-D	N4140-E	N4140-F	E4140-A	E4140-B	E4140-C	E4140-D	E4140-E		
1	HANDLE	1		2/95 thru 5/97	2/95 thru 5/97	6/97 thru 9/02	10/02 thru 3/07	4/07 thru 4/08	5/08 thru 8/09	9/09 thru Current	2/95 thru 5/97	6/97 thru 9/02	10/02 thru 3/07	4/07 thru 6/08	7/08 thru 12/08	1/09 thru Current
2	CASE ASSEMBLY	1		267032	267032	267032	267032	267032	267032	267032	267032	267032	267032	267032	267032	267032
3	CASE GASKET	1		267051	267007	267007	267007	267007	267007	267007	267007	267007	267007	267007	267007	267007
4	POWER CORD	1	3	010155	010155	010155	010155	010155	010155	010155	010155	010155	010155	010155	010155	010155
5	SEAL ASSEMBLY POWER	1		010154	010154	010154	010154	010154	010154	010154	010154	010154	010154	010154	010154	010154
6	MOTOR HOUSING ASM/SOURCE	1	5	010156	010156	010156	010156	010156	010156	010156	010156	010156	010156	010156	010156	010156
	MOTOR HOUSING ASM/ZT	1		N/A	N/A	N/A	N/A	N/A	N/A	N/A	N/A	N/A	N/A	N/A	N/A	N/A
7	ROTOR & BRG ASM/SOURCE	1	5	010996	010996	010996	010996	010996	010996	010996	010996	010996	010996	010996	010996	010996
	ROTOR & BRG ASM/ZT	1		N/A	N/A	N/A	N/A	N/A	N/A	N/A	N/A	N/A	N/A	N/A	N/A	N/A
8	36.5 OZ OIL CAN	1		010331	010331	010331	010331	010331	010331	010331	010331	010331	010331	010331	010331	010331
9	16 OZ OIL CAN	1		010158	010158	010158	010158	010158	010158	010158	010158	010158	010158	010158	010158	010158
10	SEAL ASSEMBLY	2		011681	011681	011681	011681	011681	011681	011681	011681	011681	011681	011681	011681	011681
11	SQUARE RING SEAL	2		267006	267006	267006	267006	267006	267006	267006	267006	267006	267006	267006	267006	267006
12	BASE	1		010324	010324	010324	010324	010324	010324	010324	010324	010324	010324	010324	010324	010324
13	HANDLE RETAINERS	2		267053	267053	267053	267053	267053	267053	267053	267053	267053	267053	267053	267053	267053
14	TERM INSULATOR	2		001797	N/A	N/A	N/A	N/A	N/A	N/A	N/A	N/A	N/A	N/A	N/A	N/A
15	WIRE PACK	1		010159	010154	010154	010154	010154	010154	010154	010154	010154	010154	010154	010154	010154
16	CAPACITOR ASSEMBLY	1	4	010160	011550	011550	011550	011550	011550	011550	011550	011550	011550	011550	011550	011550
17	BEARING RADIAL	1		009540	009540	009540	009540	009540	009540	009540	009540	009540	009540	009540	009540	009540
18	ADAPTER	1		011679	011679	011679	011679	011679	011679	011679	011679	011679	011679	011679	011679	011679
19	PUMP HOUSING	1		009518	009518	009518	009518	009518	009518	009518	009518	009518	009518	009518	009518	009518
20	IMPELLER	1		011689	011689	011689	011689	011689	011689	011689	011689	011689	011689	011689	011689	011689
21	TEST PLUG	3		034090	034090	034090	034090	034090	034090	034090	034090	034090	034090	034090	034090	034090
22	SCREW 1/4-20X3/4	8		001916	001916	001916	001916	001916	001916	001916	001916	001916	001916	001916	001916	001916
23	SCREW 10-24X3/4	4		001885	001885	001885	001885	001885	001885	001885	001885	001885	001885	001885	001885	001885
24	SCREW 10-24X3/8	2		001883	001883	001883	001883	001883	001883	001883	001883	001883	001883	001883	001883	001883
25	SCREW 6-32X7/16	1		004644	004644	004644	004644	004644	004644	004644	004644	004644	004644	004644	004644	004644
26	WASHER #6	1		002117	002117	002117	002117	002117	002117	002117	002117	002117	002117	002117	002117	002117
27	GROUND SCREW	3		001877	001877	001877	001877	001877	001877	001877	001877	001877	001877	001877	001877	001877
28	THRU WALL TERMINAL	3		003402	003402	003402	003402	003402	003402	003402	003402	003402	003402	003402	003402	003402
29	SNAP RING & WASHER	1		010167	010167	010167	010167	010167	010167	010167	010167	010167	010167	010167	010167	010167
30	SEM SCREW	1		002000	002000	002000	002000	002000	002000	002000	002000	002000	002000	002000	002000	002000
31	SCREW 1/2-20X	4		012491	012491	012491	012491	012491	012491	012491	012491	012491	012491	012491	012491	012491
32	CAP BRACKET	1		153350	153350	153350	153350	153350	153350	153350	153350	153350	153350	153350	153350	153350
33	REBUILD KIT	1		010166	010166	010166	010166	010166	010166	010166	010166	010166	010166	010166	010166	010166

• Items included in Rebuild Kit.

▪ Not shown in illustration.

### NOTES:

- 1) See FM0160 parts price sheet for listing of parts pricing.
- 2) "NA" indicates not applicable
- 3) If an "x" follows model number or date of manufacture on brass I.D. tag, consult factory for ordering of this part.
- 4) When replacing capacitor assembly on "REV. A" pumps only (Item 16) customer must also replace the case assembly (Item 2).
- 5) When ordering motor housing (Item 6) or rotor and bearing (Item 7), specify either source or ZT motor. ZT stator can be identified by a completely round stator

**REPLACEMENT PARTS LIST FOR SINGLE SEAL MODELS "N145" & "E145"**

See page 7 for illustration.

REF NO.	DESCRIPTION	QTY	NOTES	MODELS:	
				N145-A	E145-A
1	HANDLE	1		4/08 thru Current	11/11 thru Current
2	CASE ASSEMBLY	1		267051	267051
3	• CASE GASKET	1		267007	267007
4	POWER CORD	1	3	011551	003618
5	• SEAL ASSEMBLY POWER	1		010154	010154
6	MOTOR HOUSING ASSEMBLY	1		010156	010157
7	ROTOR & BRG ASM	1		010994	010994
8	• 25 OZ OIL CAN	1		010330	010330
9	16 OZ OIL CAN	N/A		N/A	N/A
10	• SEAL ASSEMBLY	1		011681	011681
11	• SQUARE RING SEAL	1		267006	267006
12	BASE	1		019052	019052
13	HANDLE RETAINERS	2		267053	267053
14	TERM INSULATOR	2		N/A	N/A
15	• WIRE PACK	1		010159	010159
16	CAPACITOR ASSEMBLY	1	4	010160	010160
17	• BEARING RADIAL	1		009540	009540
18	ADAPTER	N/A		N/A	N/A
19	PUMP HOUSING	1		009518	009518
20	IMPELLER W-SHIMS	1		153495	153495
21	• TEST PLUG	2		034090	034090
22	• SCREW 1/4-20X3/4	4		001916	001916
23	• SCREW 10-24X3/4	4		001885	001885
24	• SCREW 10-24X3/8	2		001883	001883
25	• SCREW 6-32X7/16	1		004644	004644
26	• WASHER#6	1		002117	002117
27	• GROUND SCREW	3		001877	001877
28	• THRU WALL TERMINAL	3		003402	003402
29	• SNAP RING & WASHER	N/A		N/A	N/A
30	• SEM SCREW	1		N/A	N/A
31	SCREW 1/4-20X	4		012491	012491
32	CAP BRACKET	1		153350	153350
☐	REBUILD KIT	1		010173	010173

• Items included in Rebuild Kit.

☐ Not shown in illustration.

**NOTES:**

- 1) See FM0160 parts price sheet for listing of parts pricing.
- 2) "NA" indicates not applicable
- 3) If an "x" follows model number or date of manufacture on brass I.D. tag, consult factory for ordering of this part.
- 4) When replacing capacitor assembly on "REV. A" pumps only (Item 16) customer must also replace the case assembly (Item 2).

**REPLACEMENT PARTS LIST FOR DOUBLE SEAL MODELS “N4145” & “E4145”**

See page 7 for illustration.

MODELS:				N4145-A	E4145-A
REF NO.	DESCRIPTION	QTY	NOTES	4/08 thru Current	11/11 thru Current
1	HANDLE	1		267032	267032
2	CASE ASSEMBLY	1		267051	267051
3	• CASE GASKET	1		267007	267007
4	POWER CORD	1	3	011551	003618
5	• SEAL ASSEMBLY POWER	1		010154	010154
6	MOTOR HOUSING ASSEMBLY	1		010156	010157
7	ROTOR & BRG ASM	1		010996	010996
8	• 36.5 OZ OIL CAN	1		010331	010331
9	• 16 OZ OIL CAN	1		010158	010158
10	• SEAL ASSEMBLY	2		011681	011681
11	• SQUARE RING SEAL	2		267006	267006
12	BASE	1		019052	019052
13	HANDLE RETAINERS	2		267053	267053
14	TERM INSULATOR	2		N/A	N/A
15	• WIRE PACK	1		010159	010159
16	CAPACITOR ASSEMBLY	1	4	010160	010160
17	• BEARING RADIAL	1		009540	009540
18	ADAPTER	1		011679	011679
19	PUMP HOUSING	1		009518	009518
20	IMPELLER W-SHIMS	1		153495	153495
21	• TEST PLUG	3		034090	034090
22	• SCREW 1/4-20X3/4	8		001916	001916
23	• SCREW 10-24X3/4	4		001885	001885
24	• SCREW 10-24X3/8	2		001883	001883
25	• SCREW 6-32X7/16	1		004644	004644
26	• WASHER #6	1		002117	002117
27	• GROUND SCREW	3		001877	001877
28	• THRU WALL TERMINAL	3		003402	003402
29	• SNAP RING &WASHER	1		010167	010167
30	• SEM SCREW	1		N/A	N/A
31	SCREW 1/4-20X	4		012491	012491
32	CAP BRACKET	1		153350	153350
▣	REBUILD KIT	1		010166	010166

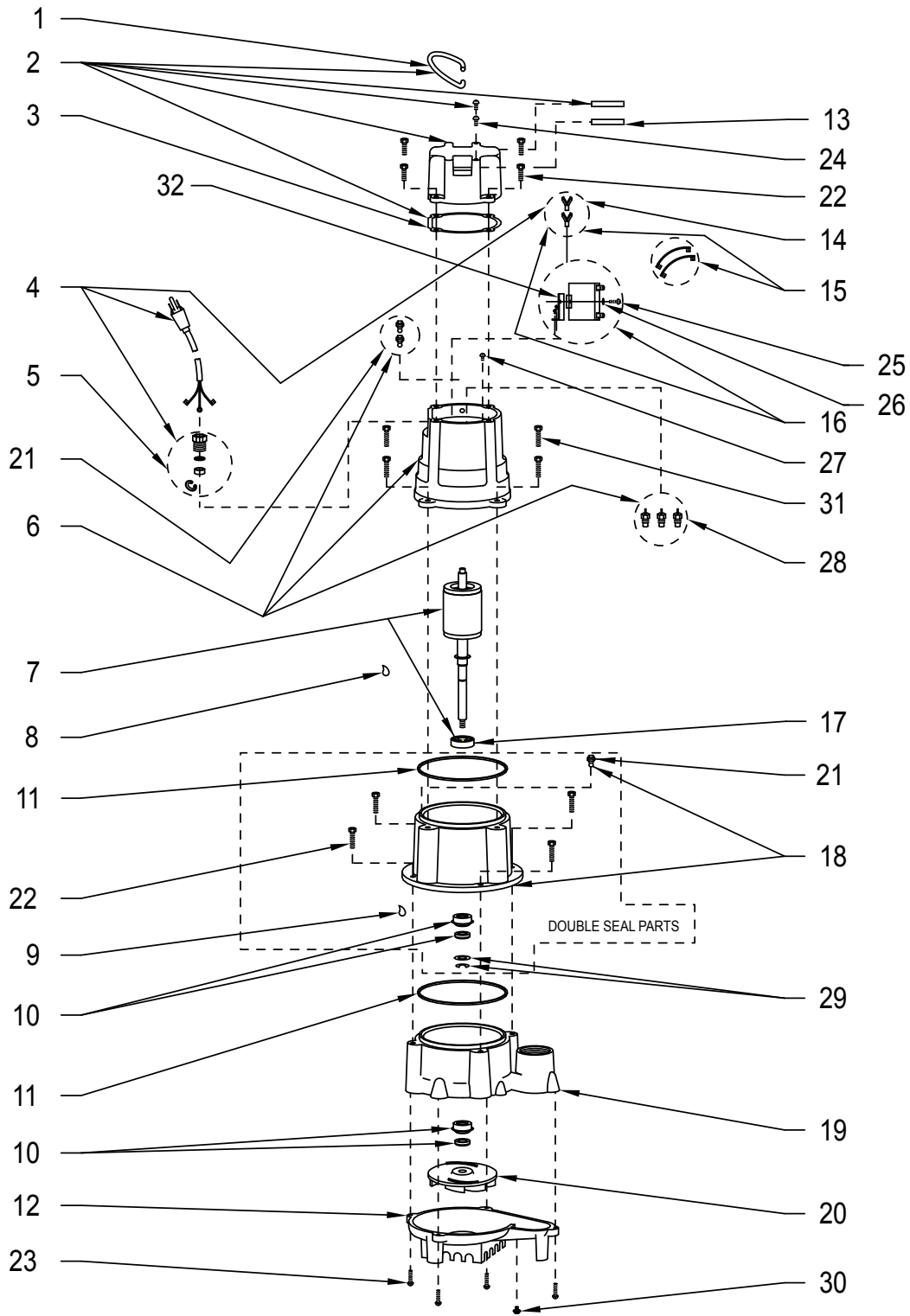
• Items included in Rebuild Kit.

▣ Not shown in illustration.

**NOTES:**

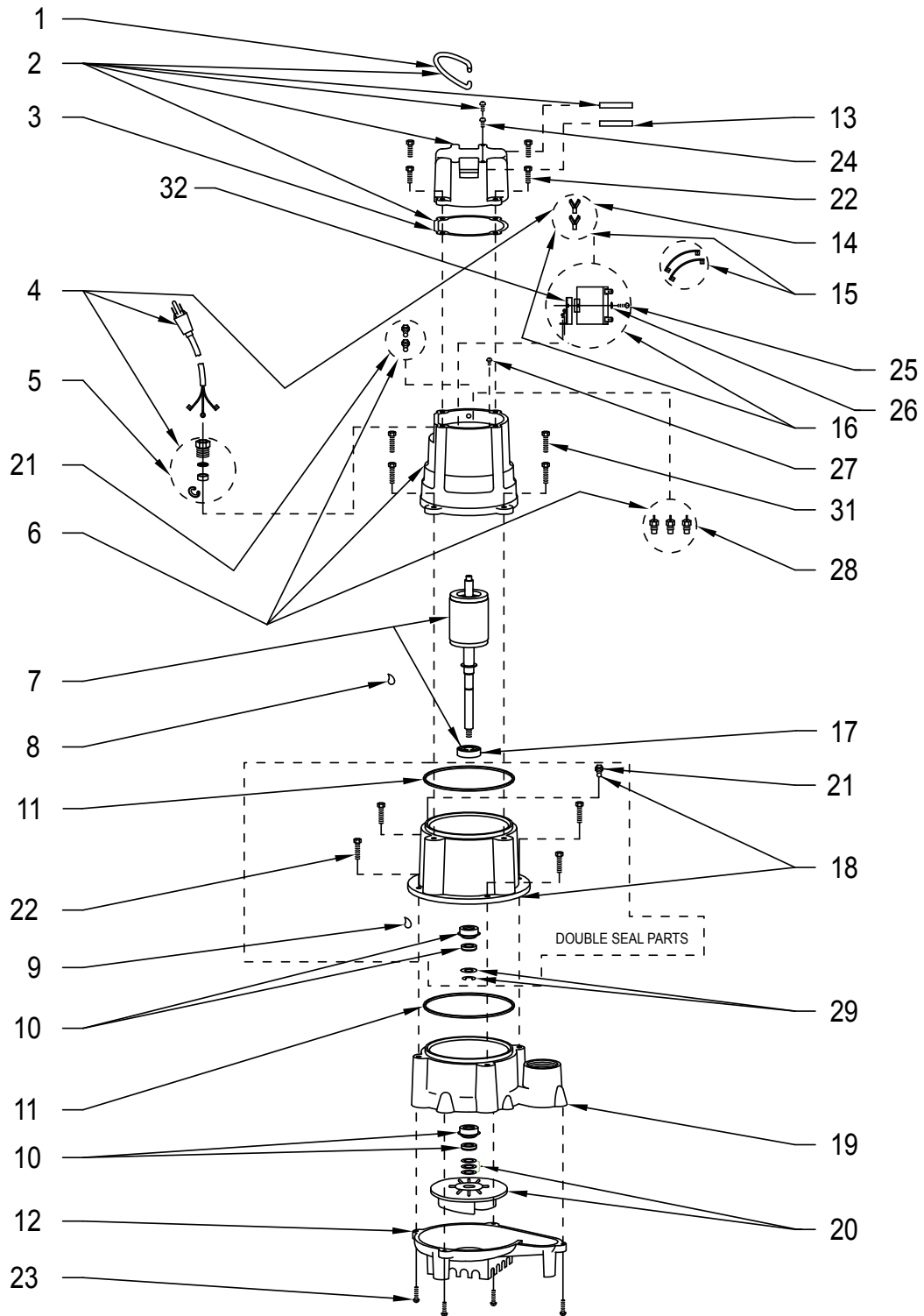
- 1) See FM0160 parts price sheet for listing of parts pricing.
- 2) “NA” indicates not applicable
- 3) If an “x” follows model number or date of manufacture on brass I.D. tag, consult factory for ordering of this part.
- 4) When replacing capacitor assembly on “REV. A” pumps only (Item 16) customer must also replace the case assembly (Item 2).

REPLACEMENT PARTS ILLUSTRATION FOR MODELS "140" and "4140"



SK1538

# REPLACEMENT PARTS ILLUSTRATION FOR MODELS "145" and "4145"



SK2709



**PUMP COMPANY**

**MAIL TO:** P.O. BOX 16347 • Louisville, KY 40256-0347  
**SHIP TO:** 3649 Cane Run Road • Louisville, KY 40211-1961  
(502) 778-2731 • 1 (800) 928-PUMP • FAX (502) 774-3624

**Your Peace of Mind is Our Top Priority®**

**visit our web site:**  
**[www.zoeller.com](http://www.zoeller.com)**