

Product information presented here reflects conditions at time of publication. Consult factory regarding discrepancies or inconsistencies.

**PUMP COMPANY**

Zoeller Family of Water Solutions™

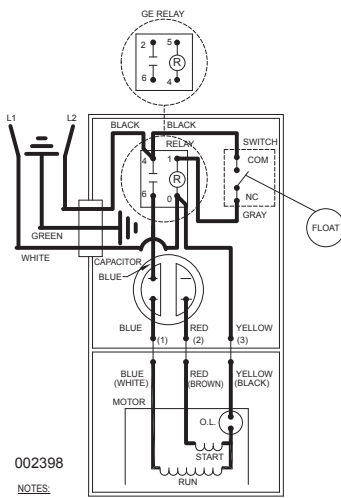
MAIL TO: P.O. BOX 16347 • Louisville, KY 40256-0347  
SHIP TO: 3649 Cane Run Road • Louisville, KY 40211-1961  
(502) 778-2731 • 1 (800) 928-PUMP • FAX (502) 774-3624

visit our web site:  
[www.zoeller.com](http://www.zoeller.com)

# REPLACEMENT PARTS LIST FOR MODELS:

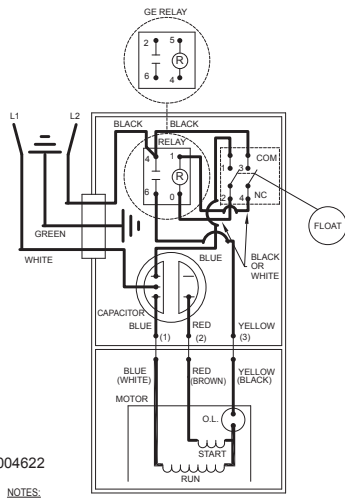
- H284 AUTOMATIC 200V/1PH
- I284 NONAUTOMATIC 200V/1PH
- J284 NONAUTOMATIC 200V/3PH
- F284 NONAUTOMATIC 230V/3PH
- G284 NONAUTOMATIC 460V/3PH
- BA284 NONAUTOMATIC 575V/3PH

Consult factory for all other Models



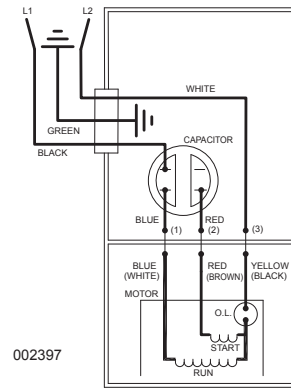
002398  
NOTES:  
INSULATORS REQUIRED ON GE RELAY TERMINALS 2 & 5;  
OMRON RELAY TERMINALS 1 & 4.

WIRING DIAGRAM FOR MODEL  
"H284-A"  
11/81 (XM) thru 8/86 (US)

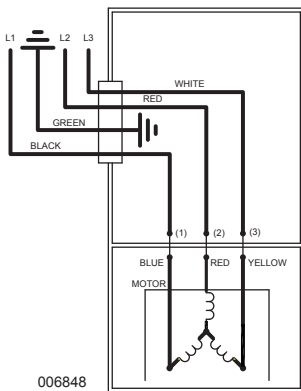


004622  
NOTES:  
INSULATORS REQUIRED ON GE RELAY TERMINALS 2 & 5;  
OMRON RELAY TERMINALS 1 & 4.

WIRING DIAGRAM FOR MODELS  
"H284-B", "H284-C", and "H284-E"  
9/86 (VS) thru Current



002397  
WIRING DIAGRAM FOR MODELS  
"I284" All Revisions  
11/81 (XM) thru Current



006848  
WIRING DIAGRAM FOR MODELS  
"J284" All Revisions, 11/81 (XM) thru Current  
"F284" All Revisions 9/86 (VS) thru Current  
"G284" All Revisions 9/86 (VS) thru Current  
"BA284" All Revisions 6/10 (VS) thru Current

**TO ORDER REPLACEMENT PARTS:**

**PLEASE FURNISH THE FOLLOWING INFORMATION:**

- Model Number.
- Part Number of Pump.  
(If manufactured prior to June 1988, give 2 letter date code following Model No.)
- Part Number and Description of part.

# REPLACEMENT PARTS LIST FOR MODELS "H284"

See page 7 for "H284" illustration.

REF. NO.	DESCRIPTION	QTY	NOTES	MODELS: H284-A				
				11/81 XM thru 8/86 US	H284-B	H284-C	H284-D	H284-E
1	Case, Sw.& Cord	1	2,3	006932	006931	006931	006931	006931
2	• Guard	1		001023	001023	001023	001023	001023
3	Case-Mach	1	2,3	006931	004614	004614	004614	004614
4	• Arm & Seal Asm	1	2	002379	004745	004745	004745	004745
5	• Gasket, Case/Cover	1		001011	001011	001011	001011	001011
6	Switch Asm	1	2	002380	004744	004744	004744	004744
7	• Wire Pkg (5) Wires	1		001070	004749	004749	004749	004749
8	Relay	1		297005	297005	217093	217093	153833
9	Capacitor & Clamp Asm	1		002381	002381	002381	002381	002381
10	Float, Plastic	1		094039	094039	094039	094039	094039
11	Guide Asm, Flt Rod	1		094048	094048	094048	094048	094048
12	Rod Asm, Flt	1		001043	001043	001043	150438	150438
13	Housing, Mtr-& Str	1	1,6	004728	004728	004728	150956	150956
14	Bearing, Sleeve	1		001012	001012	001012	NA	NA
	• Bearing, Radial			NA	NA	NA	006703	006703
15	• Handle	1		217069	217069	217069	217069	217069
16	Cord, Term & Seal Asm	1	2,3	006929	006930	006930	006930	006930
17	Clamp, Strain Relief	1	3, 7	NA	NA	NA	NA	NA
18	• Seal, Cord-Asm & Strain Relief	1	3	094032	094032	094032	094032	094032
19	• Plug, Test-White	2		034090	034090	034090	034090	034090
20	• Seal, Thru Wall Term	3		003402	003402	003402	003402	003402
21	Rotor & Brg	1	6	006933	006933	009256	150878	150878
22	• Bearing, Radial	1		094106	094106	001013	010069	010069
23	• Seal, Mtr Hsg	1		001014	001014	001014	001014	001014
24	• Oil, Dielectric	1		003168	003168	003168	011066	011066
25	Adapter-Mach	1		002357	002357	001003	001003	001003
26	• Seal, Shaft	1		002946	002946	002430	002430	002430
27	Flange Pkg 2" Npt	1		10-1305	10-1305	10-1305	10-1305	10-1305
	Flange Pkg 3" Npt	1		10-1306	10-1306	10-1306	10-1306	10-1306
28	Impeller "284"	1		002999	002999	002999	002999	002999
29	Housing, Pump-Mach	1		217012	217012	217012	217012	217012
30	• Screw, #10-24 X .375 RHM-SI SS	2		001883	001883	001883	001883	001883
31	• Screw, #6-32x.25RHM SI Tc Stlgr	5		001877	001877	001877	001877	001877
32	• Screw, .25-20 X .75 HHm-SS	4		001916	001916	001916	001916	001916
33	• Screw, #6-32x.438 Rhsstp Stlgr	2		004644	004644	004644	004644	004644
34	• Screw, .5-13 X 2 HH Cap-SS	2		001909	001909	001909	001909	001909
35	• Washer, SS-1.25"Odx.562"ldx.078	2		002115	002115	002115	002115	002115
36	• Screw, .313-18 X 1" HH Cap-SS	4		002608	002608	002608	002608	002608
39	• Screw, .25-20x1" HHm-SS	4		007790	007790	007790	007790	007790
▣	Rebuild Kit			016103	016103	016103	019647	019647

• Items included in Rebuild Kit.

▣ Not shown in illustration.

## NOTES:

- 1) Mtr. Hsg., Brg., Stator & Term. (Item 13) are preassembled at the factory and must be replaced as a unit. Stator is permanently attached to the motor Housing. Plug (Item 19); Seal, Thru Wall Term. (Item 20) and Bearing - Upper (Item 14) are replaceable.
- 2) When ordering these parts, customer must identify if switch is a General Electric switch.
- 3) If an "X" follows Model No., or Date Mfg. on brass ID tag, consult factory for ordering any parts.
- 4) See FM0160 Parts Price Sheet for listing of parts prices.
- 5) "NA" indicates, not applicable.
- 6) When ordering Motor Housing, Bearing, Stator and Term. (Item 13) or Rotor (Item 21) specify either GE or Emerson motor. GE motor can be identified by (4) holes spaced at 90° around the outside diameter of the stator. Emerson motor can be identified by (4) flat edges spaced at 90° around the outside diameter of the stator.
- 7) Clamp, Strain Relief (Item 17) is not sold separately, must order Seal, Cord Asm (Item 18).

# REPLACEMENT PARTS LIST FOR MODELS "I284"

See page 7 for "I284" illustration.

REF. NO.	DESCRIPTION	QTY	NOTES	MODELS: I284-A			
				I284-B	I284-C	I284-D	
				11/81 XM thru 8/86 US	9/86 VS thru 12/92	1/93 thru 05/10	06/10 thru Current
1	Cover & Cord	1	3	006938	006938	006938	006938
2	Cover-Mach	1	3	001077	001077	001077	001077
3	• Gasket, Case/Cover	1		001011	001011	001011	001011
4	• Wire Pkg	1		004756	004756	004756	004756
5	Capacitor & Clamp Asm	1		002381	002381	002381	002381
6	Housing, Mtr-& Str	1	1,2	004728	004728	004728	150956
7	Bearing, Sleeve	1		001012	001012	001012	NA
	• Bearing, Radial			NA	NA	NA	006703
8	• Handle	1		217069	217069	217069	217069
9	Cord, Term. & Seal Asm	1	3	006934	006934	006934	006934
10	Clamp, Strain Relief	1	3	001770	001770	001770	001770
11	Seal, Cord-Asm & Relief	1	3	094032	094032	094032	094032
12	• Plug, Test-White	2		034090	034090	034090	034090
13	Seal, Thru Wall Term	3		003402	003402	003402	003402
14	Rotor & Brg	1	2	006933	006933	009256	150878
15	• Bearing, Radial	1		094106	094106	001013	010069
16	• Seal, Mtr Hsg	1		001014	001014	001014	001014
17	• Oil, Dielectric	1		003168	003168	003168	011066
18	Adapter-Mach	1		002357	002357	001003	001003
19	• Seal, Shaft	1		002946	002946	002430	002430
20	Flange Pkg 2" Npt	1		10-1305	10-1305	10-1305	10-1305
	Flange Pkg 3" Npt	1		10-1306	10-1306	10-1306	10-1306
21	Impeller "284"	1		002999	002999	002999	002999
22	Housing, Pump-Mach	1		217012	217012	217012	217012
23	• Screw, #6-32x.25RHM SI Tc Stlgr	4		001877	001877	001877	001877
24	• Screw, #10-24 X.375 RHM-SI SS	2		001883	001883	001883	001883
25	• Screw, .25-20 X .75 HHm-SS	4		001916	001916	001916	001916
26	• Screw, .5-13 X2 HH Cap-SS	2		001909	001909	001909	001909
27	• Washer, SS-1.25"Odx.562"ldx.078	2		002115	002115	002115	002115
28	• Screw, .313-18 X 1"HH Cap-SS	4		002608	002608	002608	002608
29	• Screw, .25-20x1" HHm-SS	4		007790	007790	007790	007790
▣	Rebuild Kit			014193	014193	014193	019648

• Items included in Rebuild Kit.

▣ Not shown in illustration.

## NOTES:

- 1) Mtr. Hsg., Brg., Stator & Term. (Item 6) are preassembled at the factory and must be replaced as a unit. Stator is permanently attached to the Motor Housing. Plug (Item 12); Seal, Thru Wall Term. (Item 13) and Bearing - Upper (Item 7) are replaceable.
- 2) When ordering Motor Housing, Bearing, Stator and Term. (Item 6) or Rotor (Item 14) specify either GE or Emerson motor. GE motor can be identified by (4) holes spaced at 90° around the outside diameter of the stator. Emerson motor can be identified by (4) flat edges spaced at 90° around the outside diameter of the stator.
- 3) If an "X" follows Model No., or Date Mfg. on brass ID tag, consult factory for ordering any parts.
- 4) See FM0160 Parts Price Sheet for listing of parts prices.
- 5) "NA" indicates, not applicable.

# REPLACEMENT PARTS LIST FOR MODELS "J284"

See back page for "J284" illustration.

REF. NO.	DESCRIPTION	QTY	NOTES	MODELS: J284-A			
				J284-B	J284-C	J284-D	
				11/81 XM thru 8/86 US	9/86 VS thru 12/92	1/93 thru 05/10	06/10 thru Current
1	• Handle	1		217069	217069	217069	217069
2	Cover & Cord	1	3	003760	003760	003760	003760
3	Cover-Mach	1	3	001077	001077	001077	001077
4	• Gasket, Case/Cover	1		001011	001011	001011	001011
5	Housing, Mtr-& Str	1	1,2	003934	003934	003934	150958
6	Bearing, Sleeve	1		001012	001012	001012	NA
	• Bearing, Radial			NA	NA	NA	006703
7	Clamp, Strain Relief	1	3	001770	001770	001770	001770
8	Cord, Term, & Seal Asm	1	3	003761	003761	003761	003761
9	• Seal, Cord-Asm & Relief	1	3	094032	094032	094032	094032
10	• Plug, Test-White	2		034090	034090	034090	034090
11	• Seal, Thru Wall Term	3		003402	003402	003402	003402
12	Rotor & Brg	1	2	003763	003763	009257	150879
13	• Bearing, Radial	1		094106	094106	001013	010069
14	• Seal, Mtr Hsg	1		001014	001014	001014	001014
15	• Oil, Dielectric	1		003168	003168	003168	011066
16	Adapter-Mach	1		002357	002357	001003	001003
17	• Seal, Shaft	1		002946	002946	002430	002430
18	Impeller Asm "284"	1		007061	007061	007061	007061
19	Flange Pkg 2" Npt	1		10-1305	10-1305	10-1305	10-1305
	Flange Pkg 3" Npt	1		10-1306	10-1306	10-1306	10-1306
20	Housing, Pump-Mach	1		217012	217012	217012	217012
21	• Screw, #6-32x.25RHM SI Tc Stlgr	1		001877	001877	001877	001877
22	• Screw, .25-20 X .75 HHm-SS	4		001916	001916	001916	001916
23	• Screw, .313-18 X 1"HH Cap-SS	4		002608	002608	002608	002608
24	• Screw, .5-13 X2 HH Cap-SS	2		001909	001909	001909	001909
25	• Washer, SS-1.25"Odx.562"ldx.078	2		002115	002115	002115	002115
26	• Screw, #10-24 X.375 RHM-SI SS	1		001883	001883	001883	001883
27	• Screw, .25-20x1" HHm-SS	4		007790	007790	007790	007790
28	• Nut, 7/16-20 Acorn SS	1		004351	004351	004351	004351
▫	Rebuild Kit			014193	014193	014193	019648

• Items included in Rebuild Kit.

▫ Not shown in illustration.

## NOTES:

- 1) Mtr. Hsg., Brg., Stator & Term. (Item 5) are preassembled at the factory and must be replaced as a unit. Stator is permanently attached to the Motor Housing. Plug (Item 10); Seal, Thru Wall Term. (Item 11) and Bearing - Upper (Item 6) are replaceable.
- 2) When ordering Motor Housing, Bearing, Stator and Term. (Item 5) or Rotor (Item 12) specify either GE or Emerson motor. GE motor can be identified by (4) holes spaced at 90° around the outside diameter of the stator. Emerson motor can be identified by (4) flat edges spaced at 90° around the outside diameter of the stator.
- 3) If an "X" follows Model No., or Date Mfg. on brass ID tag, consult factory for ordering any parts.
- 4) See FM0160 Parts Price Sheet for listing of parts prices.
- 5) "NA" indicates, not applicable.

# REPLACEMENT PARTS LIST FOR MODELS "F284"

See back page for "F284" illustration.

REF. NO.	DESCRIPTION	QTY	NOTES	MODELS: F284-A		
				9/86 VS thru 12/92	F284-B 1/93 thru 05/10	F284-C 06/10 thru Current
1	• Handle	1		217069	217069	217069
2	Cover & Cord	1	3	003760	003760	003760
3	Cover-Mach	1	3	001077	001077	001077
4	• Gasket, Case/Cover	1		001011	001011	001011
5	Housing, Mtr-& Str	1	1,2	003762	003762	150959
6	Bearing, Sleeve	1		001012	001012	NA
	• Bearing, Radial			NA	NA	006703
7	Clamp, Strain Relief	1	3	001770	001770	001770
8	Cord, Term, & Seal Asm	1	3	003761	003761	003761
9	• Seal, Cord-Asm & Relief	1	3	094032	094032	094032
10	• Plug, Test-White	2		034090	034090	034090
11	• Seal, Thru Wall Term	3		003402	003402	003402
12	Rotor & Brg	1	2	003763	009257	150879
13	• Bearing, Radial	1		094106	094106	001013
14	• Seal, Mtr Hsg	1		001014	001014	001014
15	• Oil, Dielectric	1		003168	003168	011066
16	Adapter-Mach	1		002357	001003	001003
17	• Seal, Shaft	1		002946	002430	002430
18	Impeller Asm "284"	1		007061	007061	007061
19	Flange Pkg 2" Npt	1		10-1305	10-1305	10-1305
	Flange Pkg 3" Npt	1		10-1306	10-1306	10-1306
20	Housing, Pump-Mach	1		217012	217012	217012
21	• Screw, #6-32x.25RHM SI Tc Stlgr	1		001877	001877	001877
22	• Screw, .25-20 X .75 HHm-SS	4		001916	001916	001916
23	• Screw, .313-18 X 1"HH Cap-SS	4		002608	002608	002608
24	• Screw, .5-13 X2 HH Cap-SS	2		001909	001909	001909
25	• Washer, SS-1.25"Odx.562"ldx.078	2		002115	002115	002115
26	• Screw, #10-24 X.375 RHM-SI SS	1		001883	001883	001883
27	• Screw, .25-20x1" HHm-SS	4		007790	007790	007790
28	• Nut, 7/16-20 Acorn SS	1		004351	004351	004351
▣	Rebuild Kit			014193	014193	019648

• Items included in Rebuild Kit.

▣ Not shown in illustration.

## NOTES:

- 1) Mtr. Hsg., Brg., Stator & Term. (Item 5) are preassembled at the factory and must be replaced as a unit. Stator is permanently attached to the Motor Housing. Plug (Item 10); Seal, Thru Wall Term. (Item 11) and Bearing - Upper (Item 6) are replaceable.
- 2) When ordering Motor Housing, Bearing, Stator and Term. (Item 5) or Rotor (Item 12) specify either GE or Emerson motor. GE motor can be identified by (4) holes spaced at 90° around the outside diameter of the stator. Emerson motor can be identified by (4) flat edges spaced at 90° around the outside diameter of the stator.
- 3) If an "X" follows Model No., or Date Mfg. on brass ID tag, consult factory for ordering any parts.
- 4) See FM0160 Parts Price Sheet for listing of parts prices.
- 5) "NA" indicates, not applicable.

# REPLACEMENT PARTS LIST FOR MODELS "G284" & "BA284"

See back page for "G284" & "BA284" illustration.

REF. NO.	DESCRIPTION	QTY	NOTES	MODELS: G284-A			G284-B	G284-C	BA284-A
				9/86 VS thru 12/92	1/93 thru 05/10	06/10 thru Current			
1	• Handle	1		217069	217069	217069		217069	
2	Cover & Cord	1	3	003760	003760	003760		003760	
3	Cover-Mach	1	3	001077	001077	001077		001077	
4	• Gasket, Case/Cover	1		001011	001011	001011		001011	
5	Housing, Mtr-& Str	1	1,2	003705	003705	150960		150997	
6	Bearing, Sleeve	1		001012	001012	NA		NA	
	• Bearing, Radial			NA	NA	006703		006703	
7	Clamp, Strain Relief	1	3	001770	001770	001770		001770	
8	Cord, Term, & Seal Asm	1	3	003761	003761	003761		003761	
9	• Seal, Cord-Asm & Relief	1	3	094032	094032	094032		094032	
10	• Plug, Test-White	2		034090	034090	034090		034090	
11	• Seal, Thru Wall Term	3		003402	003402	003402		003402	
12	Rotor & Brg	1	2	003763	009257	150879		150879	
13	• Bearing, Radial	1		094106	001013	010069		010069	
14	• Seal, Mtr Hsg	1		001014	001014	001014		001014	
15	• Oil, Dielectric	1		003168	003168	011066		011066	
16	Adapter-Mach	1		002357	001003	001003		001003	
17	• Seal, Shaft	1		002946	002430	002430		002430	
18	Impeller Asm "284"	1		007061	007061	007061		007061	
19	Flange Pkg 2" Npt	1		10-1305	10-1305	10-1305		10-1305	
	Flange Pkg 3" Npt	1		10-1306	10-1306	10-1306		10-1306	
20	Housing, Pump-Mach	1		217012	217012	217012		217012	
21	• Screw, #6-32x.25RHM SI Tc Stlgr	1		001877	001877	001877		001877	
22	• Screw, .25-20 X .75 HHm-SS	4		001916	001916	001916		001916	
23	• Screw, .313-18 X 1"HH Cap-SS	4		002608	002608	002608		002608	
24	• Screw, .5-13 X2 HH Cap-SS	2		001909	001909	001909		001909	
25	• Washer, SS-1.25"Odx.562"ldx.078	2		002115	002115	002115		002115	
26	• Screw, #10-24 X.375 RHM-SI SS	1		001883	001883	001883		001883	
27	• Screw, .25-20x1" HHm-SS	4		007790	007790	007790		007790	
28	• Nut, 7/16-20 Acorn SS	1		004351	004351	004351		004351	
▣	Rebuild Kit			014193	014193	014193		019648	

• Items included in Rebuild Kit.

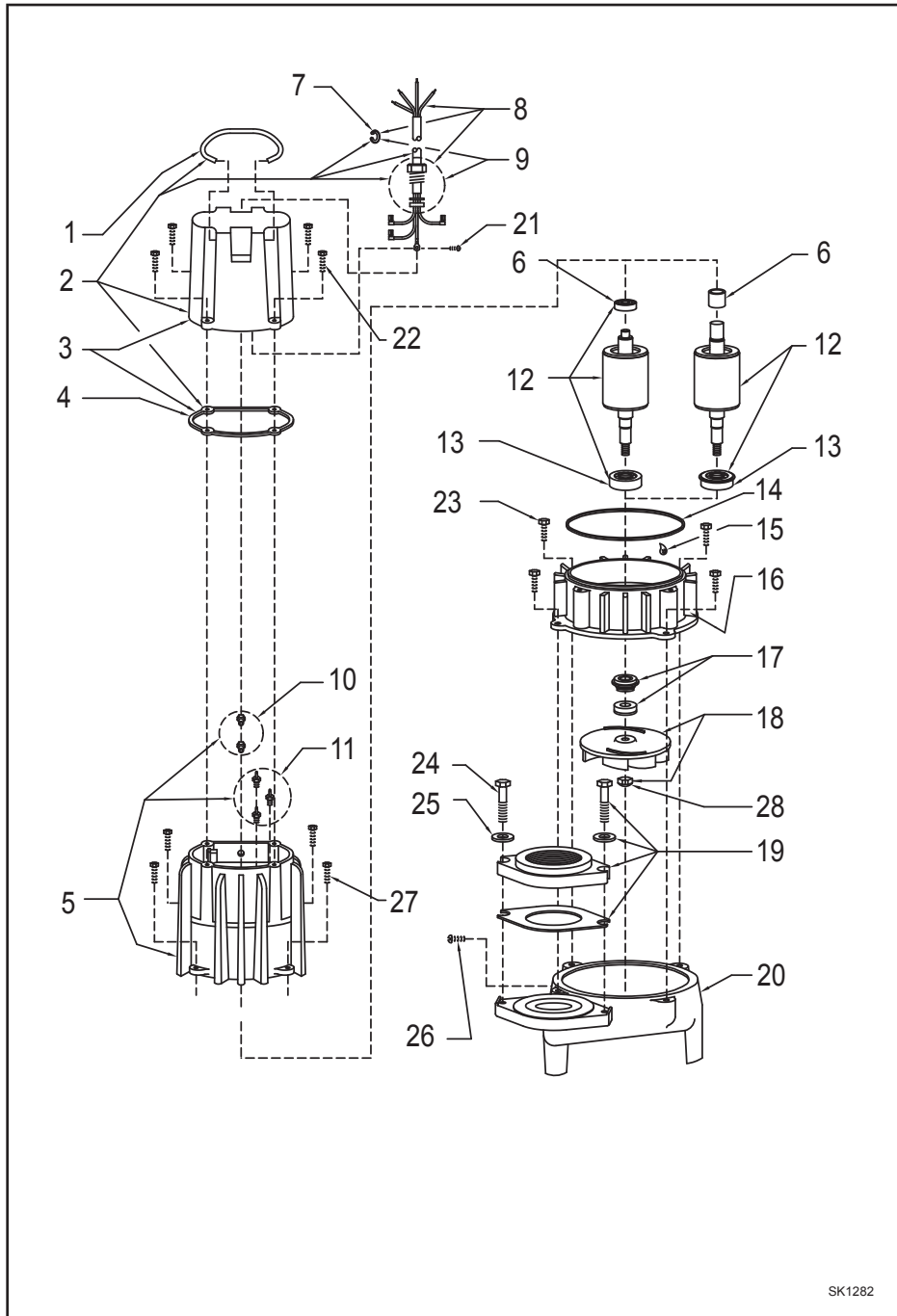
▣ Not shown in illustration.

## NOTES:

- 1) Mtr. Hsg., Brg., Stator & Term. (Item 5) are preassembled at the factory and must be replaced as a unit. Stator is permanently attached to the Motor Housing. Plug (Item 10); Seal, Thru Wall Term. (Item 11) and Bearing - Upper (Item 6) are replaceable.
- 2) When ordering Motor Housing, Bearing, Stator and Term. (Item 5) or Rotor (Item 12) specify either GE or Emerson motor. GE motor can be identified by (4) holes spaced at 90° around the outside diameter of the stator. Emerson motor can be identified by (4) flat edges spaced at 90° around the outside diameter of the stator.
- 3) If an "X" follows Model No., or Date Mfg. on brass ID tag, consult factory for ordering any parts.
- 4) See FM0160 Parts Price Sheet for listing of parts prices.
- 5) "NA" indicates, not applicable.



REPLACEMENT PARTS ILLUSTRATION FOR MODELS "J", "F", "G" & "BA284"



SK1282



**PUMP COMPANY**

MAIL TO: P.O. BOX 16347 • Louisville, KY 40256-0347  
 SHIP TO: 3649 Cane Run Road • Louisville, KY 40211-1961  
 (502) 778-2731 • 1 (800) 928-PUMP • FAX (502) 774-3624

Your Peace of Mind is Our Top Priority®

visit our web site:  
[www.zoeller.com](http://www.zoeller.com)