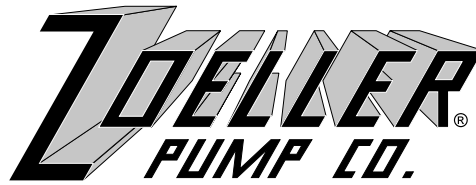


*"QUALITY PUMPS SINCE 1939"*

Product information presented here reflects conditions at time of publication. Consult factory regarding discrepancies or inconsistencies.



SECTION: 6.10.205

FM1032

0208

Supersedes

0701

MAIL TO: P.O. BOX 16347 • Louisville, KY 40256-0347  
 SHIP TO: 3649 Cane Run Road • Louisville, KY 40211-1961  
 (502) 778-2731 • 1 (800) 928-PUMP • FAX (502) 774-3624

visit our web site:  
[www.zoeller.com](http://www.zoeller.com)

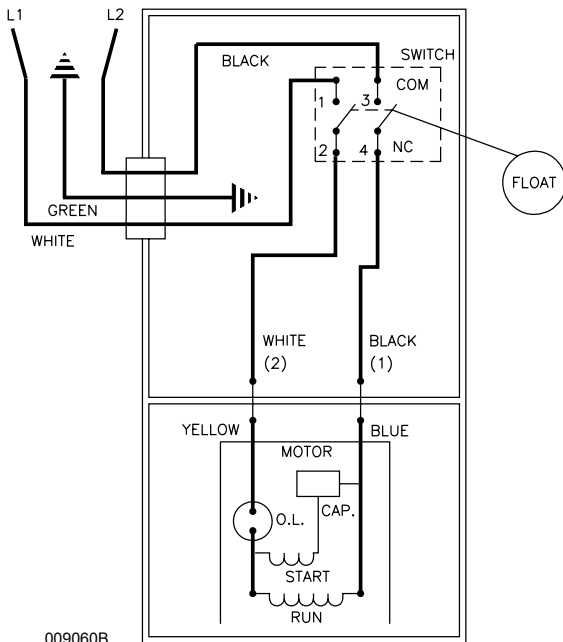
## REPLACEMENT PARTS LIST FOR MODELS:

**M98 AUTOMATIC 115V**  
**D98 AUTOMATIC 230V**  
**N98 NONAUTOMATIC 115V**  
**E98 NONAUTOMATIC 230V**

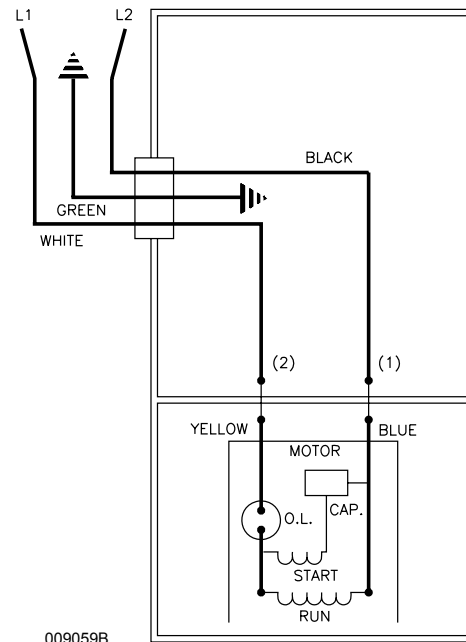
### TO ORDER REPLACEMENT PARTS:

PLEASE FURNISH THE FOLLOWING INFORMATION:

- Model Number.
- Part Number of Pump.
- Part Number and Description of part.



WIRING DIAGRAM FOR MODELS  
 "M98-A", "M98-B", "D98-A" and "D98-B"  
 11/90 thru Present



WIRING DIAGRAM FOR MODELS  
 "N98-A", "N98-B", "E98-A" and "E98-B"  
 11/90 thru Present

# REPLACEMENT PARTS LIST FOR MODELS "M98" & "D98"

See back page for "M98" and "D98" illustration.

| REF. NO. | DESCRIPTION                      | QTY | NOTES | MODELS: M98-A    |                    | M98-B           | D98-A             |        | D98-B |
|----------|----------------------------------|-----|-------|------------------|--------------------|-----------------|-------------------|--------|-------|
|          |                                  |     |       | 11/90 thru 11/95 | 12/95 thru Current | 11/90 thru 1/96 | 2/96 thru Current |        |       |
| 1        | • Gasket,Case/Cover              | 1   |       | 034046           | 034046             |                 | 034046            | 034046 |       |
| 2        | • Clamp,Strain Relief-Red        | 1   |       | 004200           | 004200             |                 | 004200            | 004200 |       |
| 3        | • Seal,Cord-Asm                  | 1   |       | 004322           | 004322             |                 | 004322            | 004322 |       |
| 4        | Cord Term & Seal 15'             | 1   | 3     | 004723           | 004723             |                 | 004735            | 004735 |       |
| 5        | Stator-EMD                       | 1   | 4     | 010463           | N/A                |                 | 010464            | N/A    |       |
|          | Stator-GE                        |     |       | N/A              | 010271             |                 | N/A               | 010272 |       |
| 6        | Rotor Asm 115/230V/1Ph - EMD     | 1   | 4     | 010463           | N/A                |                 | 010464            | N/A    |       |
|          | Rotor Asm 115/230V/1Ph - GE      |     |       | N/A              | 010270             |                 | N/A               | 010270 |       |
| 7        | • Seal,Mtr Hsg                   | 1   |       | 034007           | 034007             |                 | 034007            | 034007 |       |
| 8        | • Washer,Trst-Nyl.875X.504X.050" | 1   |       | 002140           | 002140             |                 | 002140            | 002140 |       |
| 9        | • Oil,Dielectric (38 Oz Can)     | 1   |       | 007051           | 007051             |                 | 007051            | 007051 |       |
| 10       | Housing,Pump-Mach "98"           | 1   |       | 006107           | 006107             |                 | 006107            | 006107 |       |
| 11       | • Seal Asm,Shaft-Blister Pak     | 1   |       | 267027           | 267027             |                 | 267027            | 267027 |       |
| 12       | Impeller "98"                    | 1   |       | 002570           | 002570             |                 | 002570            | 002570 |       |
| 13       | Base                             | 1   |       | 006333           | 006333             |                 | 006333            | 006333 |       |
| 14       | Case Handle & Arm "98"           | 1   |       | 004725           | 004725             |                 | 004725            | 004725 |       |
| 15       | • Plug,Test-White                | 2   |       | 034090           | 034090             |                 | 034090            | 034090 |       |
| 16       | • Arm & Seal Asm                 | 1   |       | 004704           | 004704             |                 | 004704            | 004704 |       |
| 17       | Case & Switch "98"               | 1   |       | 004724           | 004724             |                 | 004724            | 004724 |       |
| 18       | • Seal,Thru Wall Term            | 2   |       | 003402           | 003402             |                 | 003402            | 003402 |       |
| 19       | Guard "1098"                     | 1   |       | 004645           | 004645             |                 | 004645            | 004645 |       |
| 20       | Housing,Mtr                      | 1   |       | 004712           | 004712             |                 | 004712            | 004712 |       |
| 21       | Capacitor                        | 1   |       | 007642           | 007642             |                 | 007642            | 007642 |       |
| 22       | Switch Asm                       | 1   |       | 004705           | 004705             |                 | 004705            | 004705 |       |
| 23       | Float-Polypropylene              | 1   |       | 034019           | 034019             |                 | 034019            | 034019 |       |
| 24       | Rod,Float-Molded "98"            | 1   |       | 006215           | 006215             |                 | 006215            | 006215 |       |
| 25       | Guide Asm,Fit Rod                | 1   |       | 034086           | 034086             |                 | 034086            | 034086 |       |
| 26       | • Sem,10-24x.375HH-SI Tc.688Wash | 1   |       | 002000           | 002000             |                 | 002000            | 002000 |       |
| 27       | • Screw,#10-24 X.75 RHM-SI SS    | 12  |       | 001885           | 001885             |                 | 001885            | 001885 |       |
| 28       | • Screw,#6-32x.25RHM SI Tc Stlgr | 1   |       | 001877           | 001877             |                 | 001877            | 001877 |       |
| 29       | • Screw,#8-32x2.563 Rhpl-Stlbo   | 2   |       | 001914           | 001914             |                 | 001914            | 001914 |       |
| 30       | • Screw,#6-32x.438Rhstlp"1"Stlzi | 2   |       | 004644           | 004644             |                 | 004644            | 004644 |       |
| □        | Rebuild Kit "98"                 | 1   |       | 006949           | 006949             |                 | 006949            | 006949 |       |

• Items included in Rebuild Kit.

□ Not Shown in Illustration.

## NOTES:

- 1) See FM0160 Parts Price Sheet for listing of parts prices.
- 2) "NA" indicates, not applicable.
- 3) If an "X" follows Model No., or Date Mfg. on brass ID tag, consult factory for ordering of this part.
- 4) When ordering these parts, customer must identify G.E. or EMD.

# REPLACEMENT PARTS LIST FOR MODELS "N98" & "E98"

See back page for "N98" and "E98" illustration.

| REF. NO. | DESCRIPTION                        | QTY | NOTES | MODELS: N98-A    |                    | E98-A  | E98-B  |
|----------|------------------------------------|-----|-------|------------------|--------------------|--------|--------|
|          |                                    |     |       | 11/90 thru 11/95 | 12/95 thru Current |        |        |
| 1        | • Gasket, Case/Cover               | 1   |       | 034046           | 034046             | 034046 | 034046 |
| 2        | • Clamp, Strain Relief-Red         | 1   |       | 004200           | 004200             | 004200 | 004200 |
| 3        | • Seal, Cord-Asm                   | 1   |       | 004322           | 004322             | 004322 | 004322 |
| 4        | Cord Term & Seal 15' NA            | 1   | 3     | 004736           | 004736             | 004737 | 004737 |
| 5        | Stator - EMD                       | 1   | 4     | 010463           | N/A                | 010464 | N/A    |
|          | Stator - GE                        |     |       | N/A              | 010271             | N/A    | 010272 |
| 6        | Rotor Asm 115/230V/1Ph - EMD       | 1   | 4     | 010463           | N/A                | 010464 | N/A    |
|          | Rotor Asm 115/230V/1Ph - GE        |     |       | N/A              | 010270             | N/A    | 010270 |
| 7        | • Seal, Mtr Hsg                    | 1   |       | 034007           | 034007             | 034007 | 034007 |
| 8        | • Washer, Trst-Nyl. 875X.504X.050" | 1   |       | 002140           | 002140             | 002140 | 002140 |
| 9        | • Oil, Dielectric (38 Oz Can)      | 1   |       | 007051           | 007051             | 007051 | 007051 |
| 10       | Housing, Pump-Mach "98"            | 1   |       | 006107           | 006107             | 006107 | 006107 |
| 11       | • Seal Asm, Shaft-Bliester Pak     | 1   |       | 267027           | 267027             | 267027 | 267027 |
| 12       | Impeller "98"                      | 1   |       | 002570           | 002570             | 002570 | 002570 |
| 13       | Base                               | 1   |       | 006333           | 006333             | 006333 | 006333 |
| 14       | Cover Handle "98"                  | 1   |       | 002580           | 002580             | 002580 | 002580 |
| 15       | • Plug, Test-White                 | 2   |       | 034090           | 034090             | 034090 | 034090 |
| 16       | • Seal, Thru Wall Term             | 2   |       | 003402           | 003402             | 003402 | 003402 |
| 17       | Housing, Mtr                       | 1   |       | 004712           | 004712             | 004712 | 004712 |
| 18       | Capacitor                          | 1   |       | 007642           | 007642             | 007642 | 007642 |
| 19       | • Screw, #10-24 X.75 RHM-SI SS     | 12  |       | 001885           | 001885             | 001885 | 001885 |
| 20       | • Sem, 10-24x.375HH-SI Tc.688Wash  | 1   |       | 002000           | 002000             | 002000 | 002000 |
| 21       | • Screw, #8-32x2.563 Rhpl-Stlbo    | 2   |       | 001914           | 001914             | 001914 | 001914 |
| 22       | • Screw, #6-32x.25RHM SI Tc Stlgr  | 1   |       | 001877           | 001877             | 001877 | 001877 |
| ▣        | Rebuild Kit "98"                   | 1   |       | 006949           | 006949             | 006949 | 006949 |

• Items included in Rebuild Kit.

▣ Not Shown in Illustration.

## NOTES:

- 1) See FM0160 Parts Price Sheet for listing of parts prices.
- 2) "NA" indicates, not applicable.
- 3) If an "X" follows Model No., or Date Mfg. on brass ID tag, consult factory for ordering of this part.
- 4) When ordering these parts, customer must identify G.E. or EMD.



www.zoeller.com

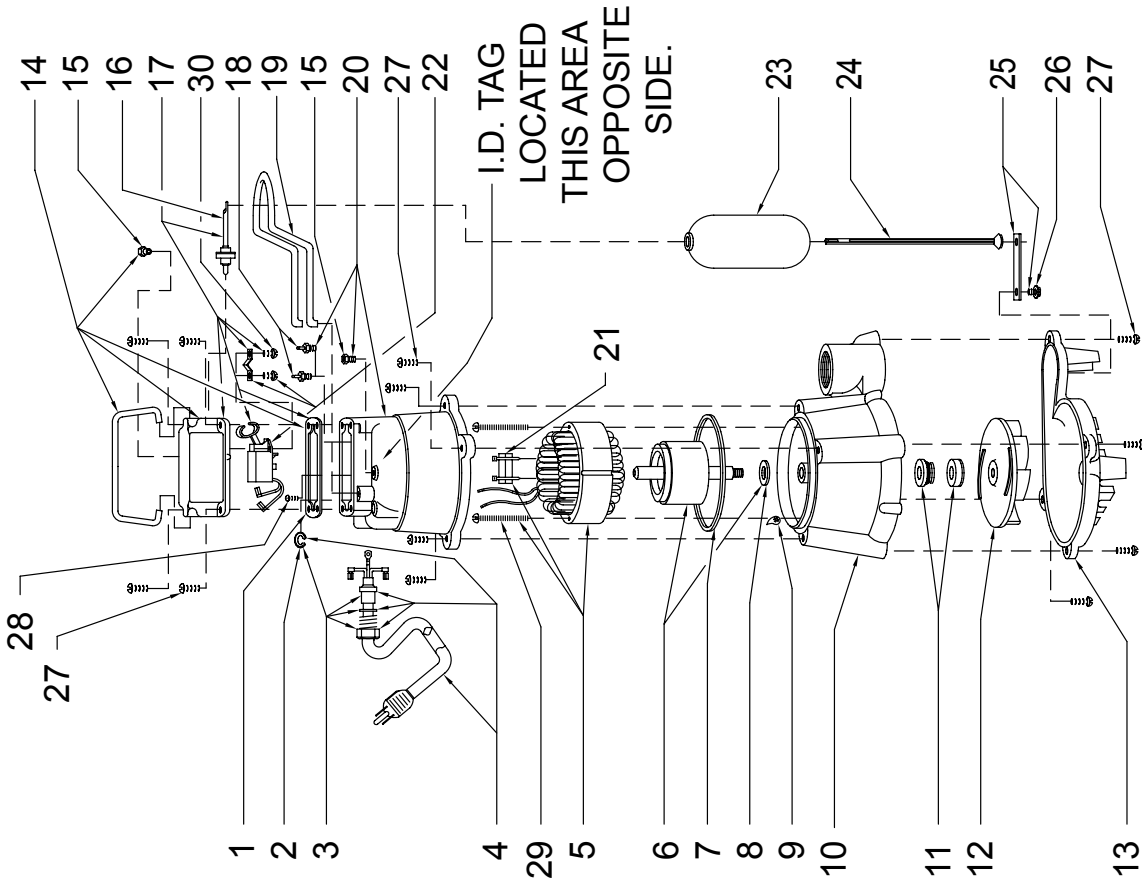
**ZOELLER**  
PUMP CO.

MAIL TO: P.O. BOX 16347  
Louisville, KY 40256-0347  
SHIP TO: 3649 Cane Run Road  
Louisville, KY 40211-1961  
(502) 778-2731 • 1 (800) 928-PUMP  
FAX (502) 774-3624

Manufacturers of..

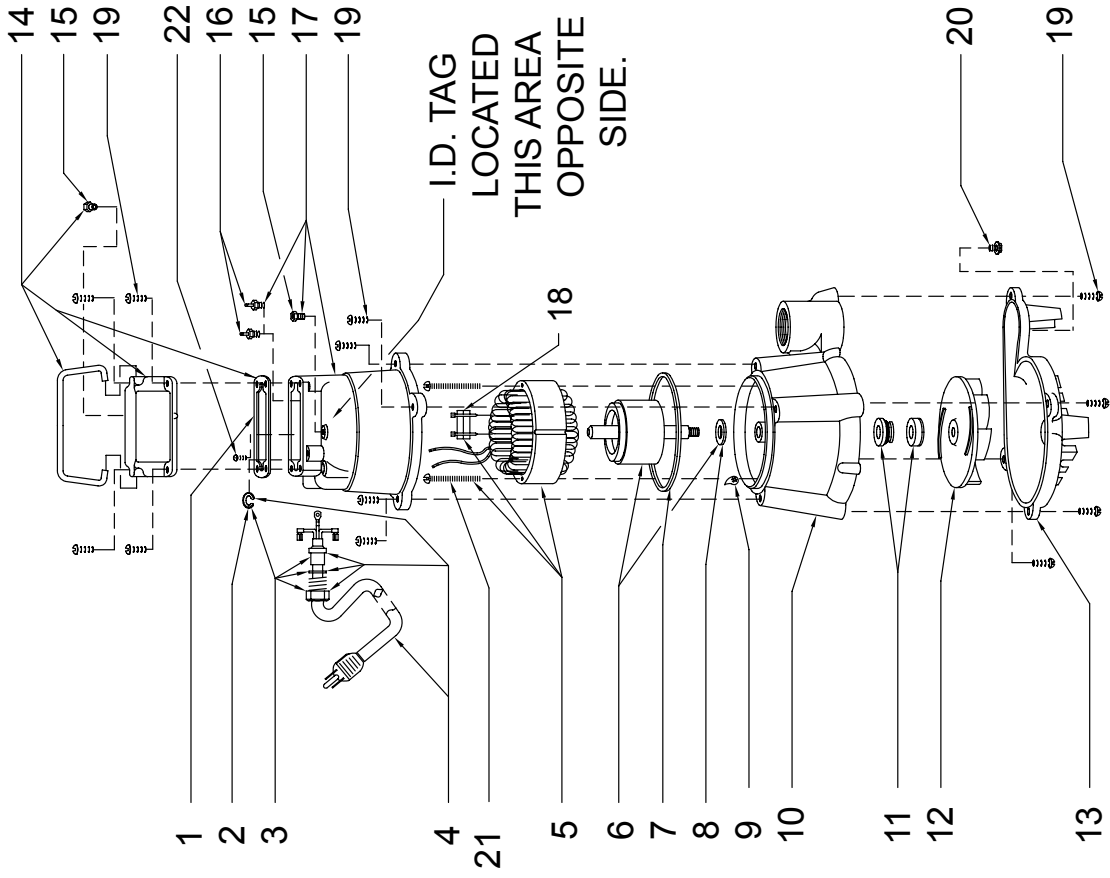
"QUALITY PUMPS SINCE 1939"

REPLACEMENT PARTS ILLUSTRATION FOR MODELS "M98" AND "D98"



SK1112

REPLACEMENT PARTS ILLUSTRATION FOR MODELS "N98" AND "E98"



SK1113