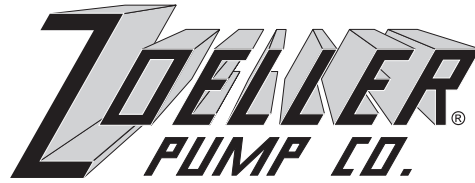


"QUALITY PUMPS SINCE 1939"



SECTION: 6.10.403

FM1531

1207

Supersedes

0906

Product information presented here reflects conditions at time of publication. Consult factory regarding discrepancies or inconsistencies.

MAIL TO: P.O. BOX 16347 • Louisville, KY 40256-0347
SHIP TO: 3649 Cane Run Road • Louisville, KY 40211-1961
(502) 778-2731 • 1 (800) 928-PUMP • FAX (502) 774-3624

visit our web site:
www.zoeller.com

REPLACEMENT PARTS LIST FOR GRINDER MODELS:

E820 NONAUTOMATIC 230V 1PH
I820 NONAUTOMATIC 200V 1PH
WD820 AUTOMATIC w/wired float switch 230V 1PH
WH820 AUTOMATIC w/wired float switch 200V 1PH

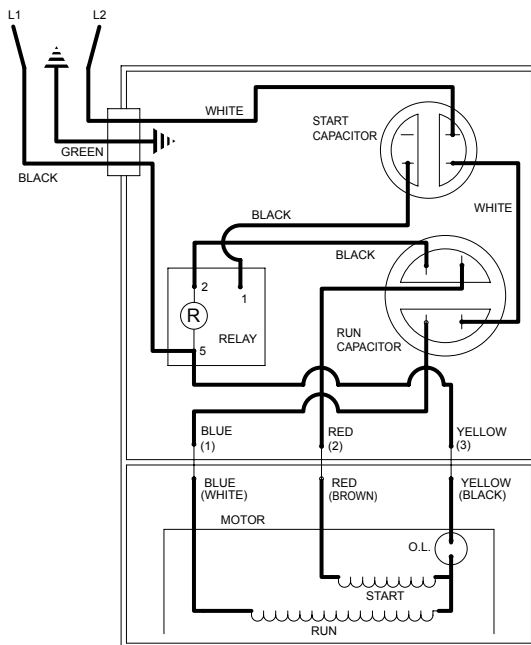
Consult factory for all other models

TO ORDER REPLACEMENT PARTS:

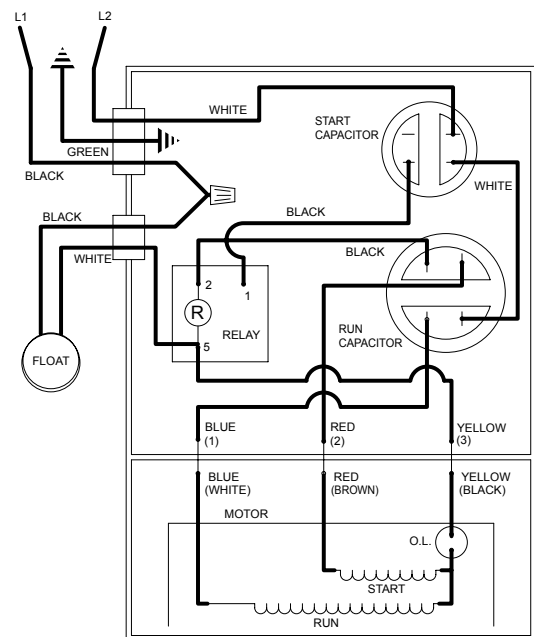
PLEASE FURNISH THE FOLLOWING INFORMATION:

- Model Number.
- Part Number of Pump.
- Part Number and Description of part.

NOTE: NEW WIRING FOR OLDER REVISION PUMPS. REWIRE PUMP JUNCTION BOX CHAMBER (TOP CAP) PER APPROPRIATE WIRING DIAGRAM BELOW.



010443
WIRING DIAGRAM FOR MODELS
"E820" All Revisions and
"I820" All Revisions
9/96 thru Current



010415
WIRING DIAGRAM FOR MODELS
"WD820" All Revisions and
"WH820" All Revisions
9/96 thru Current

REPLACEMENT PARTS LIST FOR MODELS "E820" and "I820".

See back page for illustration.

REF NO.	DESCRIPTION	QTY	NOTES	MODELS:				I820-A	I820-B	I820-C	I820-D
				E820-A	E820-B	E820-C	E820-D				
				9/96 thru 12/97	1/98 thru 8/02	9/02 thru 4/06	5/06 thru Current	9/96 thru 12/97	1/98 thru 8/02	9/02 thru 4/06	5/06 thru Current
1	• HANDLE	1		217069	217069	217069	217069	217069	217069	217069	217069
2	COVER & CORD 200/230V/1PH/NONAUTO/"820"	1	3	010836	010836	015608	015608	010838	010838	015609	015609
3	COVER-MACH & HANDLE ASM	1	3	010835	010835	015612	015612	010835	010835	015612	015612
4	SWITCH,FLT-TERM & SEAL "820"	0		N/A	N/A	N/A	N/A	N/A	N/A	N/A	N/A
5	SEAL,CORD-FLOAT SWITCH	0		N/A	N/A	N/A	N/A	N/A	N/A	N/A	N/A
6	CORD TERM&SEAL	1	3	010840	010840	015614	015614	010841	010841	015615	015615
7	• SEAL,CORD-ASM&STR RLF	1	3	004375	004375	015634	015634	004375	004375	015634	015634
8	• GASKET,CASE/COVER	1		001011	001011	001011	001011	001011	001011	001011	001011
9	• WIRE PKG (6 WIRES)	1		010833	010833	010833	010833	010833	010833	010833	010833
10	CAPACITOR-START & CLAMP ASM.	1		010829	010829	010829	010829	010829	010829	010829	010829
11	CAPACITOR-RUN & CLAMP ASM	1		010830	010830	010830	010830	010830	010830	010830	010830
12	RELAY,VOLTAGE SENSING	1		010410	014601	014601	014601	010410	014601	014601	014601
13	• PLUG,TEST	2		015023	015023	015023	015023	015023	015023	015023	015023
14	• SEAL,THRU WALL TERM	3		003402	003402	003402	003402	003402	003402	003402	003402
15	HOUSING,MTR-&STR	1	4	010444	010444	010444	018231	010449	010449	010449	018232
16	BEARING,SLEEVE-BRONZE OILITE	1		001012	001012	001012	N/A	001012	001012	001012	N/A
	• BEARING,6201			N/A	N/A	N/A	006703	N/A	N/A	N/A	006703
17	KEY	1		007775	011711	011711	011711	007775	011711	011711	011711
18	ROTOR & BRG ASM/1PH "820"	1		010831	010831	010831	018230	010831	010831	010831	018230
19	• BEARING,7303	1		009861	009861	009861	009861	009861	009861	009861	009861
20	• SEAL,MTR HSG	1		001014	001014	001014	001014	001014	001014	001014	001014
21	• OIL,DIELECTRIC	1		010839	010839	010839	018233	010839	010839	010839	018233
22	ADAPTER-MACH	1		001003	001003	001003	001003	001003	001003	001003	001003
23	• SEAL,SHAFT	1		002430	002430	002430	002430	002430	002430	002430	002430
24	WASHER,SUPPORT-SS	1		010863	010863	010863	010863	010863	010863	010863	010863
25	COLLAR,SHAFT	1		010409	010409	010409	010409	010409	010409	010409	010409
26	IMPELLER-MACH "820"	1		010402	010402	010402	010402	010402	010402	010402	010402
27	HOUSING,PUMP-MACH "820"	1		010400	010400	010400	010400	010400	010400	010400	010400
28	CUTTER & DISC ASM./"820"	1		010832	010832	010832	010832	010832	010832	010832	010832
29	SHIM SET FOR 820/840 GRINDERS	1		012632	012632	012632	012632	012632	012632	012632	012632
30	WASHER,RETAINING	1		008533	008533	008533	008533	008533	008533	008533	008533
31	GUARD,CUTTER-PLASTIC	1		008528	008528	008528	008528	008528	008528	008528	008528
32	CONNECTOR,WIRENUT 14-16GA	0		N/A	N/A	N/A	N/A	N/A	N/A	N/A	N/A
33	• SCREW,.25-20X.75" SH CAP SS.	3		007768	007768	007768	007768	007768	007768	007768	007768
34	• SCREW,.25-20 X .75LG HH SS (NYLOCK)	1		009545	009545	009545	009545	009545	009545	009545	009545
35	• SCREW,#10-24X.875-FLT SH CAP SS.	3		007761	007761	007761	007761	007761	007761	007761	007761
36	• SCREW,.313-18 X 1" HH CAP-SS	4		002608	002608	002608	002608	002608	002608	002608	002608
37	• SCREW,.25-20X1" HHM-S.S.	4		007790	007790	007790	007790	007790	007790	007790	007790
38	• SCREW,.25-20X.75 HHM-SS/INDENTED/UNSLOTTED	4		001916	001916	001916	001916	001916	001916	001916	001916
39	• SCREW,#6-32X.25RHM SL TC STLGR	5		001877	001877	001877	001877	001877	001877	001877	001877
40	• SPRING,BEARING PRELOAD	1		N/A	N/A	N/A	017192	N/A	N/A	N/A	017192
41	• WASHER,FLAT-SS .25 STANDARD	3		004480	004480	004480	004480	004480	004480	004480	004480
42	• SCREW,#6-32X.375RHM SL TC ZINC PLATED	1		019421	019421	019421	019421	019421	019421	019421	019421
□	REBUILD KIT E & I "820/.820"	1		010844	010844	015804	018234	010844	010844	015804	018234

- Items included in Rebuild Kit.
- Not Shown in Illustration.

NOTES:

- 1) See FM1267 Price Sheet for listing of parts prices.
- 2) "N/A" indicates, not applicable.
- 3) If an "X" follows Model No., or Date Mfg. on brass ID tag, consult factory for ordering of this part.
- 4) Housing, MTR & Stator (Item 15) is preassembled at factory and must be replaced as a unit. Stator is permanently attached to the Motor Housing. Plug (Item 13) and Seal, thru Wall Term. (Item 14) and Bearing (Item 16) are replaceable.

REPLACEMENT PARTS LIST FOR MODELS "WD820" and "WH820".

See back page for illustration.

MODELS:				WD820-A	WD820-B	WD820-C	WD820-D	WH820-A	WH820-B	WH820-C	WH820-D	WH820-E
REF NO.	DESCRIPTION	QTY	NOTES	9/96 thru 12/97	1/98 thru 8/02	9/02 thru 4/06	5/06 thru Current	9/96 thru 12/97	1/98 thru 10/98	11/98 thru 8/02	9/02 thru 4/06	5/06 thru Current
1	• HANDLE	1		217069	217069	217069	217069	217069	217069	217069	217069	217069
2	COVER,CORD & FLT	1		010825	010825	015610	015610	010837	010837	010837	015611	015611
3	COVER-MACH & HANDLE ASM	1	3	010826	010826	015613	015613	010826	010826	010826	015613	015613
4	SWITCH,FLT-TERM & SEAL "820"	1	3	010827	010827	010827	010827	010827	010827	011880	011880	011880
5	• SEAL,CORD-FLOAT SWITCH	1		011065	011065	011065	011065	011065	011065	011071	011071	011071
6	CORD TERM & SEAL	1	3	010828	010828	015632	015632	010842	010842	010842	015633	015633
7	• SEAL,CORD-ASM&STR RLF	1	3	004375	004375	015634	015634	004375	004375	004375	015634	015634
8	• GASKET,CASE/COVER	1		001011	001011	001011	001011	001011	001011	001011	001011	001011
9	• WIRE PKG (6 WIRES)	1		010833	010833	010833	010833	010833	010833	010833	010833	010833
10	CAPACITOR-START & CLAMP ASM.	1		010829	010829	010829	010829	010829	010829	010829	010829	010829
11	CAPACITOR-RUN & CLAMP ASM	1		010830	010830	010830	010830	010830	010830	010830	010830	010830
12	RELAY,VOLTAGE SENSING	1		010410	014601	014601	014601	010410	010410	014601	014601	014601
13	• PLUG,TEST	2		015023	015023	015023	015023	015023	015023	015023	015023	015023
14	• SEAL,THRU WALL TERM	3		003402	003402	003402	003402	003402	003402	003402	003402	003402
15	HOUSING,MTR-&STR	1	4	010444	010444	010444	018231	010449	010449	010449	010449	018232
16	BEARING,SLEEVE-BRONZE OILITE	1		001012	001012	001012	N/A	001012	001012	001012	001012	N/A
	• BEARING,6201			N/A	N/A	N/A	006703	N/A	N/A	N/A	N/A	006703
17	KEY	1		007775	011711	011711	011711	007775	011711	011711	011711	011711
18	ROTOR & BRG ASM/1PH "820"	1		010831	010831	010831	018230	010831	010831	010831	010831	018230
19	• BEARING,7303	1		009861	009861	009861	009861	009861	009861	009861	009861	009861
20	• SEAL,MTR HSG	1		001014	001014	001014	001014	001014	001014	001014	001014	001014
21	• OIL,DIELECTRIC	1		010839	010839	010839	018233	010839	010839	010839	010839	018233
22	ADAPTER-MACH	1		001003	001003	001003	001003	001003	001003	001003	001003	001003
23	• SEAL,SHAFT	1		002430	002430	002430	002430	002430	002430	002430	002430	002430
24	WASHER,SUPPORT-SS	1		010863	010863	010863	010863	010863	010863	010863	010863	010863
25	COLLAR,SHAFT	1		010409	010409	010409	010409	010409	010409	010409	010409	010409
26	IMPELLER-MACH "820"	1		010402	010402	010402	010402	010402	010402	010402	010402	010402
27	HOUSING,PUMP-MACH "820"	1		010400	010400	010400	010400	010400	010400	010400	010400	010400
28	CUTTER & DISC ASM/"820"	1		010832	010832	010832	010832	010832	010832	010832	010832	010832
29	SHIM SET FOR 820/840 GRINDERS	1		012632	012632	012632	012632	012632	012632	012632	012632	012632
30	WASHER,RETAINING	1		008533	008533	008533	008533	008533	008533	008533	008533	008533
31	GUARD,CUTTER-PLASTIC	1		008528	008528	008528	008528	008528	008528	008528	008528	008528
32	• CONNECTOR,WIRENUT 14-16GA	1		003753	003753	003753	003753	003753	003753	003753	003753	003753
33	• SCREW,.25-20X.75"SH CAP SS.	3		007768	007768	007768	007768	007768	007768	007768	007768	007768
34	• SCREW,.25-20 X .75LG HH SS (NYLOCK)	1		009545	009545	009545	009545	009545	009545	009545	009545	009545
35	• SCREW,#10-24X.875-FLT SH CAP SS.	3		007761	007761	007761	007761	007761	007761	007761	007761	007761
36	• SCREW,.313-18 X 1"HH CAP-SS	4		002608	002608	002608	002608	002608	002608	002608	002608	002608
37	• SCREW,.25-20X1" HHM-S.S.	4		007790	007790	007790	007790	007790	007790	007790	007790	007790
38	• SCREW,.25-20X.75 HHM-SS/ INDENTED/UNSLOTTED	4		001916	001916	001916	001916	001916	001916	001916	001916	001916
39	• SCREW,#6-32X.25RHM SL TC STLGR	5		001877	001877	001877	001877	001877	001877	001877	001877	001877
40	• SPRING,BEARING PRELOAD	1		N/A	N/A	N/A	017192	N/A	N/A	N/A	N/A	017192
41	• WASHER,FLAT-SS .25 STANDARD	3		004480	004480	004480	004480	004480	004480	004480	004480	004480
42	• SCREW,#6-32X.375RHM SL TC ZINC PLATED	1		019421	019421	019421	019421	019421	019421	019421	019421	019421
☐	REBUILD KIT WD & WH "820/6820"	1		010843	010843	015803	018234	010843	010843	010843	015803	018234

• Items included in Rebuild Kit. ☐ Not Shown in Illustration.

NOTES:

- 1) See FM1267 Price Sheet for listing of parts prices.
- 2) "N/A" indicates, not applicable.
- 3) If an "X" follows Model No., or Date Mfg. on brass ID tag, consult factory for ordering of this part.
- 4) Housing, MTR & Stator (Item 15) is preassembled at factory and must be replaced as a unit. Stator is permanently attached to the Motor Housing. Plug (Item 13) and Seal, thru Wall Term. (Item 14) and Bearing (Item 16) are replaceable.

