

REPLACEMENT PARTS LIST FOR MODELS "M59" and "D59".

See back page for "M59" and "D59" illustration

MODELS:				M59-A	M59-B	M59-C	M59-D	M59-E	D59-A	D59-B	D59-C	D59-D	D59-E
REF. NO.	DESCRIPTION	QTY	NOTES	8/80 UJ thru 12/80 YJ	1/81 MM thru 8/86 US	9/86 VS thru 8/87 UT	9/87 VT thru 6/92	7/92 thru Current	8/80 UJ thru 12/80 YJ	1/81 MM thru 8/86 US	9/86 VS thru 8/87 UT	9/87 VT thru 6/92	7/92 thru Current
1	• Gasket, Case/Cover	1		034046	034046	034046	034046	034046	034046	034046	034046	034046	034046
2	• Clamp, Strain Relief-Red	1		001770	001770	001770	001770	001770	001770	001770	001770	001770	001770
3	• Seal, Cord-Asm	1	2	054025	002326	004322	004322	004322	054025	002326	004322	004322	004322
4	Cord Term & Seal	1	2	054026	002321	004700	004700	004700	054057	002320	004707	004707	004707
5	{ Stator GE	1	1	054040	054040	054040	054040	007951	054050	054050	054050	054050	007952
	{ Stator Emerson	1	1	002473	002473	002473	002473	007953	005530	005530	005530	005530	007954
6	• Screw, #8-32 X 2.563 RHPI-Stibo	2		001914	001914	001914	001914	001914	001914	001914	001914	001914	001914
7	{ Rotor Asm GE	1	1	054032	054032	054032	054032	054032	054032	054032	054032	054032	054032
	{ Rotor Asm Emerson	1	1	003735	003735	003735	003735	003735	003735	003735	003735	003735	003735
8	• Seal, Mtr Hsg	1		034007	034007	034007	034007	034007	034007	034007	034007	034007	034007
9	• Washer, Trst-Nyl, 875X.504X.050"	1		002140	002140	002140	002140	002140	002140	002140	002140	002140	002140
10	Bearing, Sleeve-Lower Rotor	1		054024	054024	054024	054024	054024	054024	054024	054024	054024	054024
11	• Oil, Dielectric-(19 Oz Can)	1		057022	057022	057022	057022	057022	057022	057022	057022	057022	057022
12	Housing, Pump-&Brg Mach Br	1		059005	059005	059005	059005	059005	059005	059005	059005	059005	059005
13	• Seal Asm, Shaft-Blister Pak	1		267027	267027	267027	267027	267027	267027	267027	267027	267027	267027
14	Impeller Br "59"	1		059001	059001	059001	059001	059001	059001	059001	059001	059001	059001
15	Base Asm Br	1		059009	059009	059009	059009	059009	059009	059009	059009	059009	059009
16	Plate, Strainer-Plastic	1		001082	001082	001082	NA	NA	001082	001082	001082	NA	NA
17	Case Handle & Arm Br "50"	1	2	056092	056092	004714	004714	004714	056093	056093	004714	004714	004714
18	Case & Switch "50"	1	2,6	056051	056051	004711	004711	004711	056053	056053	004711	004711	004711
19	• Plug, Test-White	2		034090	034090	034090	034090	034090	034090	034090	034090	034090	034090
20	• Arm & Seal Asm "50"	1	2	054080	054080	004704	004704	004704	054080	054080	004704	004704	004704
21	Guard "97"	1	2	034016	034016	004645	004645	004645	034016	034016	004645	004645	004645
22	Switch Asm "50"	1	2	034061	034061	004705	004705	004705	034061	034061	004705	004705	004705
23	• Wire Asm-F-P(1)Wire Rs2.25"Lg	1		002231	002231	NA	NA	NA	002231	002231	NA	NA	NA
24	• Seal, Thru Wall Term	2		003402	003402	003402	003402	003402	003402	003402	003402	003402	003402
25	Housing, Mtr-Brg&Term Br "50"	1		059008	002517	004713	004713	004713	059008	002517	004713	004713	004713
26	Bearing, Upper Rotor	1		034052	034052	034052	034052	034052	034052	034052	034052	034052	034052
27	Float-Polypropylene Rod Asm, Fit	1		034019	034019	034019	034019	034019	034019	034019	034019	034019	034019
28	Guide Asm, Fit Rod	1		054062	054062	054062	054062	054062	054062	054062	054062	054062	054062
29	• Screw, #10-24 X.75 RHM-SI SS	12		034086	034086	034086	034086	034086	034086	034086	034086	034086	034086
30	• Screw, #6-32x.439RHsltp"1"Stlzi	3		001885	001885	001885	001885	001885	001885	001885	001885	001885	001885
31	• Screw, #6-32x.25RHM SI Tc Stlgr	2		001877	001877	001877	001877	001877	001877	001877	001877	001877	001877
32	• Sem, 10-24x.375HH-SI Tc.688Wash	3		001877	001877	004644	004644	004644	001877	001877	004644	004644	004644
	• Rebuild Kit "59"	1		002000	002000	002000	002000	002000	002000	002000	002000	002000	002000
				057059	057059	004716	004716	004716	057059	057059	004716	004716	004716

• Items included in Rebuild Kit.

⊠ Not Shown in Illustration.

NOTES:

- 1) Specify GE or Emerson Motor. GE motor can be identified by white valox insulation on stator. Emerson can be identified by green epoxy insulation on stator.
- 2) To insure proper replacement, customer must identify if switch is a General Electric switch.
- 3) See FM0160 Parts Price Sheet for listing of parts prices.
- 4) "NA" indicates, not applicable.
- 5) If an "X" follows Model No., or Date Mfg. on brass ID tag, consult factory for ordering any parts.
- 6) For pumps with date code prior to 9/86, the replacement case & switch will have a new style switch.

DATE CODE OF MANUFACTURE FROM 12/70 to 12/88				
1st LETTER MONTH		2nd LETTER YEAR		
M — JAN.	T — JULY	A — 1971	G — 1977	O — 1983
N — FEB.	U — AUG.	B — 1972	H — 1978	P — 1984
O — MARCH	V — SEPT.	C — 1973	I — 1979	R — 1985
P — APRIL	W — OCT.	D — 1974	J — 1980	S — 1986
R — MAY	X — NOV.	E — 1975	M — 1981	T — 1987
S — JUNE	Y — DEC.	F — 1976	N — 1982	U — 1988

NOTE: Four digit (MMYY) date of mfg. used after June, 1988.
IE: MMYY = 0192 = Jan. 1992.

REPLACEMENT PARTS LIST FOR MODELS "N59" and "E59".

See back page for "N59" and "E59" illustration.

REF. NO.	DESCRIPTION	MODELS:			N59	N59-A	N59-B	N59-C	N59-D	E59	E59-A	E59-B	E59-C	E59-D
		QTY	NOTES	8/80 UJ thru 12/80 YJ	1/81 MM thru 8/86 US	9/86 VS thru 8/87 UT	9/87 VT thru 6/92	7/92 thru Current	8/80 UJ thru 12/80 YJ	1/81 MM thru 8/86 US	9/86 VS thru 8/87 UT	9/87 VT thru 6/92	7/92 thru Current	
1	• Gasket, Case/Cover	1		034046	034046	034046	034046	034046	034046	034046	034046	034046	034046	034046
2	• Seal, Cord-Asm	1		054025	002326	004322	004322	004322	004322	054025	002326	004322	004322	004322
3	• Clamp, Strain Relief-Red	1		001770	001770	001770	001770	001770	001770	001770	001770	001770	001770	001770
4	• Cord Term & Seal	1		054069	002319	004708	004708	004708	004708	054070	002318	004709	004709	004709
5	• Stator GE	1	1	054040	054040	054040	054040	007951	007951	054050	054050	054050	054050	007952
	• Stator Emerson	1	1	002473	002473	002473	002473	007953	007953	005530	005530	005530	005530	007954
6	• Screw, #8-32 X 2.563 RHPI-Stlbo	2		001914	001914	001914	001914	001914	001914	001914	001914	001914	001914	001914
7	• Rotor Asm GE	1	1	054032	054032	054032	054032	054032	054032	054032	054032	054032	054032	054032
	• Rotor Asm Emerson	1	1	003735	003735	003735	003735	003735	003735	003735	003735	003735	003735	003735
8	• Seal, Mtr Hsg	1		034007	034007	034007	034007	034007	034007	034007	034007	034007	034007	034007
9	• Washer, Trst-Nyl, 875X.504X.050"	1		002140	002140	002140	002140	002140	002140	002140	002140	002140	002140	002140
10	• Bearing, Sleeve-Lower Rotor	1		054024	054024	054024	054024	054024	054024	054024	054024	054024	054024	054024
11	• Oil, Dielectric-(19 Oz Can)	1		057022	057022	057022	057022	057022	057022	057022	057022	057022	057022	057022
12	• Housing, Pump-&Brg Mach Br	1		059005	059005	059005	059005	059005	059005	059005	059005	059005	059005	059005
13	• Seal Asm, Shaft-Blister Pak	1		267027	267027	267027	267027	267027	267027	267027	267027	267027	267027	267027
14	• Impeller Br "59"	1		059001	059001	059001	059001	059001	059001	059001	059001	059001	059001	059001
15	• Base Asm Br	1		059009	059009	059009	059009	059009	059009	059009	059009	059009	059009	059009
16	• Plate, Strainer-Plastic	1		001082	001082	001082	NA	NA	001082	001082	001082	NA	NA	
17	• Cover & Handle Br "50"	1		036067	036067	036067	036067	036067	036097	036097	036097	036097	036097	036097
18	• Plug, Test-White	2		034090	034090	034090	034090	034090	034090	034090	034090	034090	034090	034090
19	• Seal, Thru Wall Term	2		003402	003402	003402	003402	003402	003402	003402	003402	003402	003402	003402
20	• Housing, Mtr-Brg&Term Br "50"	1		059008	002517	004713	004713	004713	059008	002517	004713	004713	004713	004713
21	• Bearing, Upper Rotor	1		034052	034052	034052	034052	034052	034052	034052	034052	034052	034052	034052
22	• Screw, #10-24 X.75 RHM-SI SS	12		001885	001885	001885	001885	001885	001885	001885	001885	001885	001885	001885
23	• Screw, #6-32x.25RHM SI Tc Stlgr	1		001877	001877	001877	001877	001877	001877	001877	001877	001877	001877	001877
24	• Sem, 10-24x.375HH-SI Tc.688Wash	3		002000	002000	002000	002000	002000	002000	002000	002000	002000	002000	002000
	• Rebuild Kit	1		057059	057059	004716	004716	004716	057059	057059	004716	004716	004716	004716

• Items included in Rebuild Kit. ✖ Not Shown in Illustration.

NOTES:

- 1) Specify GE or Emerson Motor. GE motor can be identified by white valox insulation on stator. Emerson can be identified by green epoxy insulation on stator.
- 2) See FM0160 Parts Price Sheet for listing of parts prices.
- 3) "NA" indicates, not applicable.
- 4) If an "X" follows Model No., or Date Mfg. on brass ID tag, consult factory for ordering any parts.



<http://www.zoeller.com>

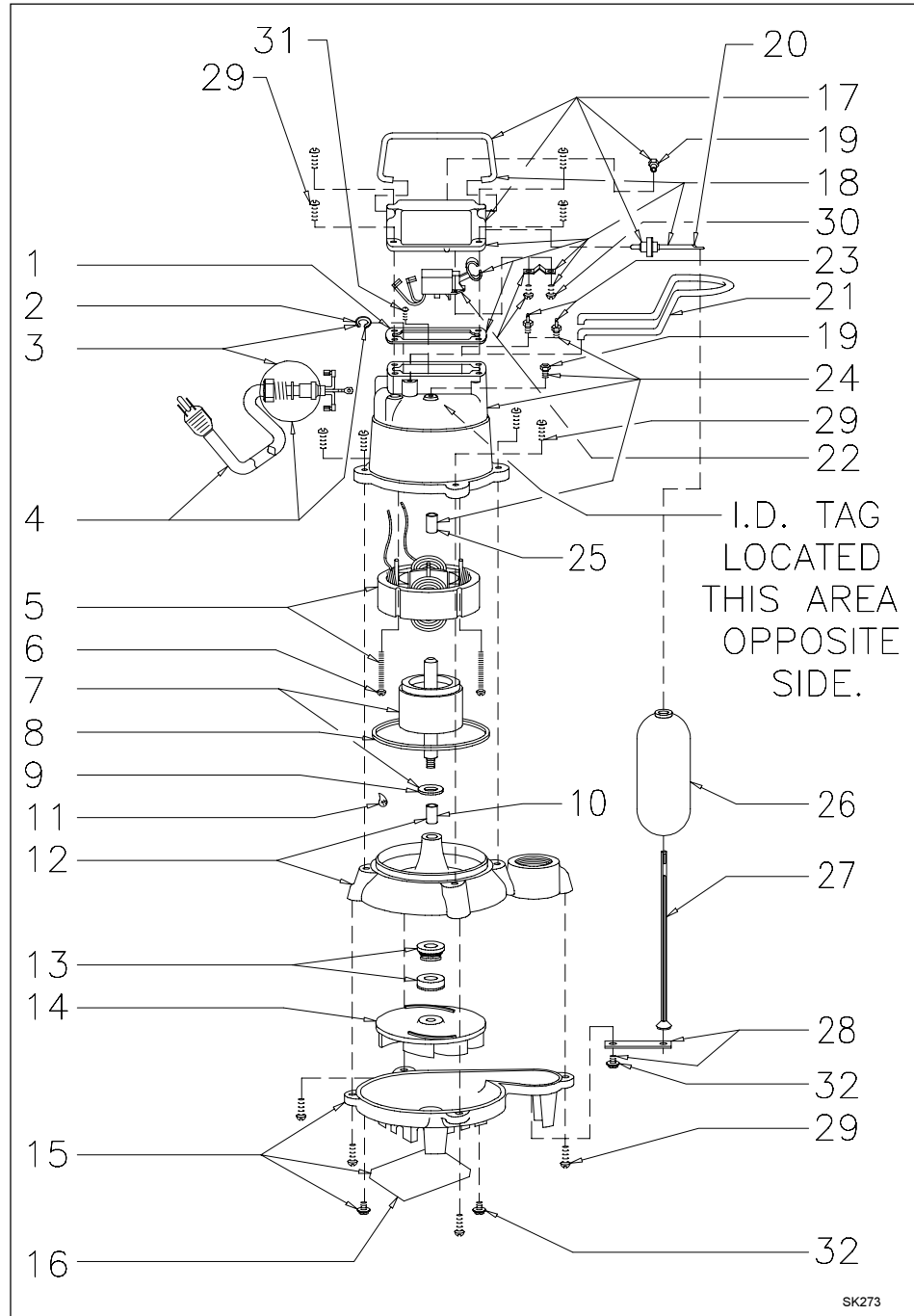


MAIL TO: P.O. BOX 16347
 Louisville, KY 40256-0347
 SHIP TO: 3649 Cane Run Road
 Louisville, KY 40211-1961
 (502) 778-2731 • 1 (800) 928-PUMP
 FAX (502) 774-3624

Manufacturers of . . .

QUALITY PUMPS SINCE 1939

REPLACEMENT PARTS ILLUSTRATION FOR MODELS "M59" AND "D59"



REPLACEMENT PARTS ILLUSTRATION FOR MODELS "N59" AND "E59"

