



PUMP COMPANY

Zoeller Family of Water Solutions™

MAIL TO: P.O. BOX 16347 • Louisville, KY 40256-0347
 SHIP TO: 3649 Cane Run Road • Louisville, KY 40211-1961
 (502) 778-2731 • 1 (800) 928-PUMP • FAX (502) 774-3624

visit our web site:
www.zoeller.com

Product information presented here reflects conditions at time of publication. Consult factory regarding discrepancies or inconsistencies.

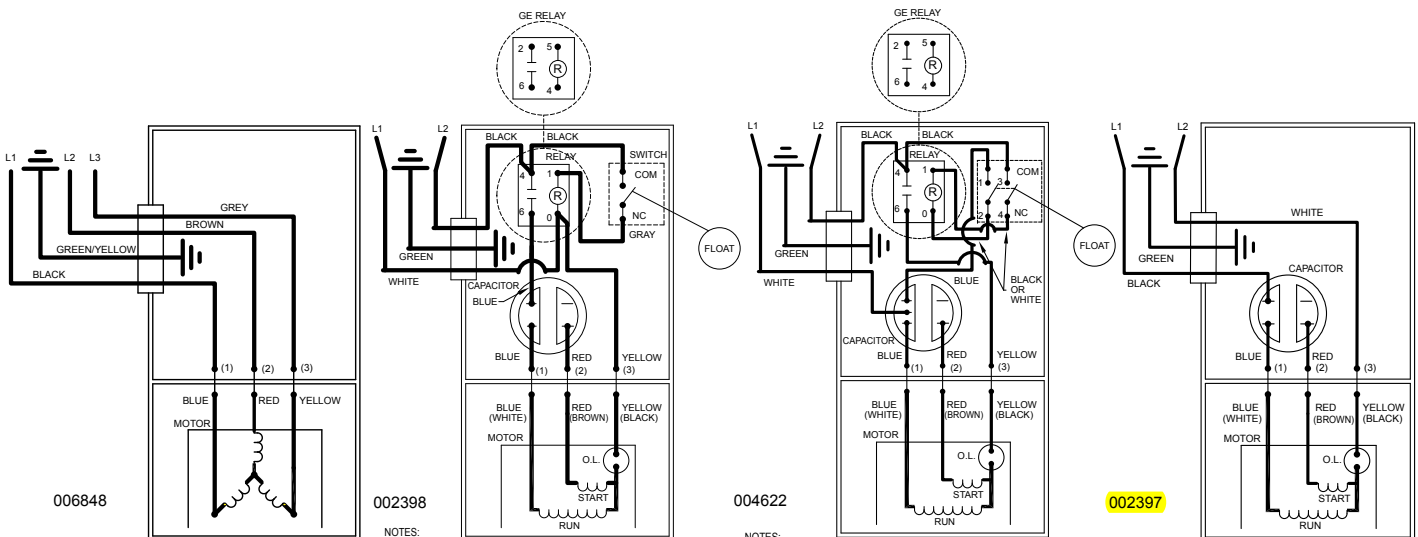
REPLACEMENT PARTS LIST FOR MODELS:

- F293 NONAUTOMATIC 230V/3PH
- G293 NONAUTOMATIC 460V/3PH
- BA293 NONAUTOMATIC 575V/3PH
- H293 NONAUTOMATIC 200V/1PH
- I293 NONAUTOMATIC 200V/1PH
- J293 NONAUTOMATIC 200V/3PH
- D293 AUTOMATIC 230V/1PH
- E293 NONAUTOMATIC 230V/1PH**

TO ORDER REPLACEMENT PARTS:

PLEASE FURNISH THE FOLLOWING INFORMATION:

- Model Number
- Part Number of Pump
- Part Number and Description of part



WIRING DIAGRAM FOR MODELS "F293", "G293", "J293" & "BA293" 9/96 thru Current All Revisions

WIRING DIAGRAM FOR MODELS "D293-A", "D293-B", "H293-A" & "H293-B" 12/80 (YJ) thru 8/86 (US)

WIRING DIAGRAM FOR MODELS "D293-C", & "H293-C" 9/86 (VS) thru Current

WIRING DIAGRAM FOR MODELS "E293-A", "E293-B", "E293-C", "E293-D" & "I293" 12/80 (YJ) thru Current

REPLACEMENT PARTS LIST FOR MODEL "E293".

See page 9 for illustration.

| REF. NO. | DESCRIPTION | QTY | NOTES | MODELS: E293-A | | | | |
|----------|----------------------------------|-----|-------|-----------------|----------------|----------------|----------------|-------------------|
| | | | | E293-B | E293-C | E293-D | E293-E | |
| | | | | 12/80 thru 1/85 | 2/85 thru 8/86 | 9/86 thru 7/09 | 8/09 thru 5/16 | 6/16 thru Current |
| 1 | • Handle | 1 | | 217069 | 217069 | 217069 | 217069 | 217069 |
| 2 | Cover & Cord 230V/1Ph | 1 | 2 | 002401 | 002401 | 002401 | 002401 | 002401 |
| 3 | Cover-Mach Std Cd Or 3Ph "293" | 1 | 2 | 001077 | 001077 | 001077 | 001077 | 001077 |
| 4 | • Gasket,Case/Cover | 1 | | 001011 | 001011 | 001011 | 001011 | 001011 |
| 5 | • Wire Pkg (5) Wires | 1 | | 001070 | 001070 | 004749 | 004749 | 004749 |
| 6 | Capacitor & Clamp Asm 20uf | 1 | | 002381 | 002381 | 002381 | 002381 | 002381 |
| 7 | Housing,Mtr-& Strator 230/1Ph | 1 | 1,5 | 002382 | 002382 | 002382 | 019655 | 019655 |
| 8 | Bearing,Sleeve | 1 | | 001012 | 001012 | 001012 | NA | NA |
| | Bearing, Upper Ball | 1 | | NA | NA | NA | 006703 | 006703 |
| 9 | Cord Term&Seal 20'/230V/1Ph/Na | 1 | 2 | 002402 | 002402 | 002402 | 002402 | 002402 |
| 10 | Clamp,Strain Relief-Red | 1 | | 001770 | 001770 | 001770 | 001770 | 001770 |
| 11 | • Seal,Cord-Asm & Strain Relief | 1 | 2 | 094032 | 094032 | 094032 | 094032 | 094032 |
| 12 | • Plug,Test-White | 2 | | 034090 | 034090 | 034090 | 034090 | 034090 |
| 13 | • Seal,Thru Wall Term | 3 | | 003402 | 003402 | 003402 | 003402 | 003402 |
| 14 | Rotor & Brg Asm | 1 | 5 | 001074 | 001074 | 001074 | 019650 | 019650 |
| 15 | • Bearing,Radial | 1 | | 001013 | 001013 | 001013 | 010069 | 010069 |
| 16 | • Seal,Mtr Hsg | 1 | | 001014 | 001014 | 001014 | 001014 | 001014 |
| 17 | • Oil,Dielectric | 1 | | 002383 | 002383 | 002383 | 011066 | 011066 |
| 18 | Adapter-Mach 163/165/293 | 1 | | 001003 | 001003 | 001003 | 001003 | 001003 |
| 19 | • Seal,Shaft | 1 | | 002430 | 002430 | 002430 | 002430 | 002430 |
| 20 | Flange Pkg 2"Npt | 1 | | 10-1305 | 10-1305 | 10-1305 | 10-1305 | 10-1305 |
| | Flange Pkg 3"Npt | 1 | | 10-1306 | 10-1306 | 10-1306 | 10-1306 | 10-1306 |
| 21 | Impeller "293" Bronze | 1 | | 001036 | 004222 | 004222 | 004222 | 004216 |
| | Impeller "293" Cast iron | | | NA | NA | NA | NA | 153999 |
| 22 | Housing,Pump-Mach "293" | 1 | | 001005 | 001005 | 001005 | 001005 | 001005 |
| 23 | • Screw,#6-32x.25RHM SI Tc Stlgr | 3 | | 001877 | 001877 | 001877 | 001877 | 001877 |
| 24 | • Screw,#10-24 X.375 RHM-SI SS | 1 | | 001883 | 001883 | 001883 | 001883 | 001883 |
| 25 | • Screw,.25-20 X .75 HHm-SS | 4 | | 001916 | 001916 | 001916 | 001916 | 001916 |
| 26 | • Screw,.5-13 X 2 HH Cap-SS | 2 | | 001909 | 001909 | 001909 | 001909 | 001909 |
| 27 | • Washer,SS-1.25"Odx.562"Idx.078 | 2 | | 002115 | 002115 | 002115 | 002115 | 002115 |
| 28 | • Screw,.313-18 X 1"HH Cap-SS | 4 | | 002608 | 002608 | 002608 | 002608 | 002608 |
| 29 | • Screw,.25-20X1" HHM-SS | 4 | | 007790 | 007790 | 007790 | 007790 | 007790 |
| □ | Rebuild Kit "160/185/293" | | | 001076 | 001076 | 004747 | 019648 | 019648 |

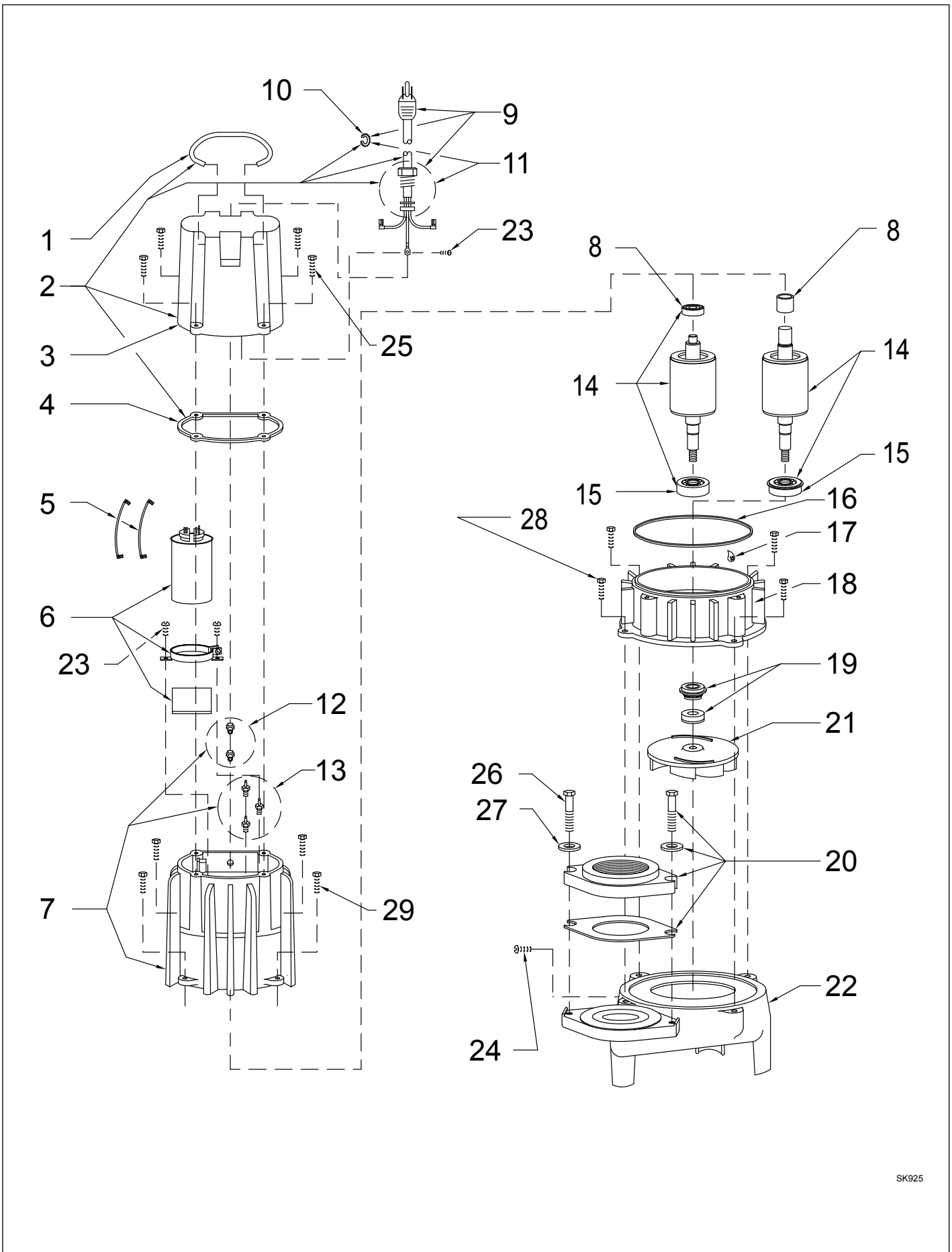
• Items included in Rebuild Kit.

□ Not Shown in Illustration.

NOTES:

- 1) Mtr. Hsg., Brg., Stator & Term. (Item 7) is preassembled at the factory and must be replaced as a unit. Stator is permanently attached to the Motor Housing. Plug (Item 12); Seal, Thru Wall Term. (Item 13) and Bearing-Upper (Item 8) are replaceable.
- 2) If an "X" follows Model No., or Date Mfg. on brass ID tag, consult factory for ordering any parts.
- 3) See FM0160 Parts Price Sheet for listing of parts prices.
- 4) "NA" indicates, not applicable.
- 5) When ordering specify either General Electric or Emerson motor.

REPLACEMENT PARTS ILLUSTRATION FOR MODELS "E293" & "I293".



SK925

NOTES



PUMP COMPANY

MAIL TO: P.O. BOX 16347 • Louisville, KY 40256-0347
SHIP TO: 3649 Cane Run Road • Louisville, KY 40211-1961
(502) 778-2731 • 1 (800) 928-PUMP • FAX (502) 774-3624

Your Peace of Mind is Our Top Priority®

visit our web site:
www.zoeller.com