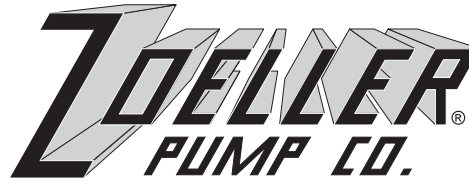


"QUALITY PUMPS SINCE 1939"

Product information presented here reflects conditions at time of publication. Consult factory regarding discrepancies or inconsistencies.



SECTION: 6.10.235

FM1426

0507

Supersedes

0406

MAIL TO: P.O. BOX 16347 • Louisville, KY 40256-0347
SHIP TO: 3649 Cane Run Road • Louisville, KY 40211-1961
(502) 778-2731 • 1 (800) 928-PUMP • FAX (502) 774-3624

visit our web site:
www.zoeller.com

REPLACEMENT PARTS LIST FOR MODELS:

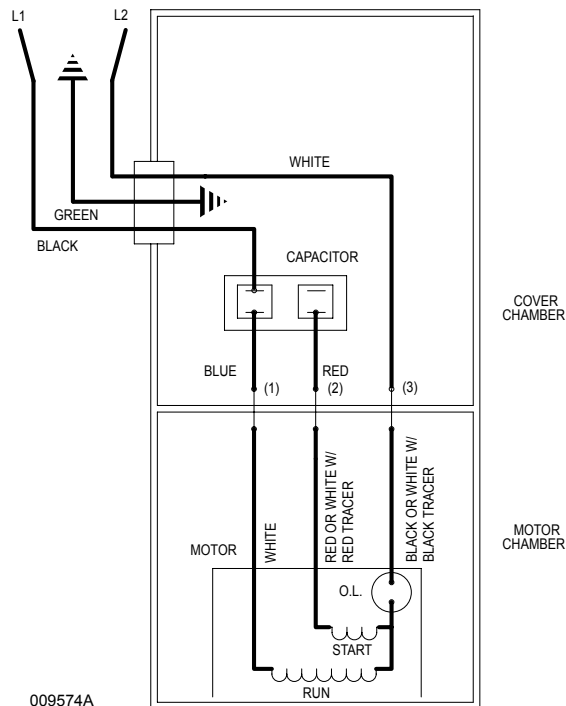
N140 NONAUTOMATIC 115V
E140 NONAUTOMATIC 230V
N4140 NONAUTOMATIC 115V
E4140 NONAUTOMATIC 230V

Consult factory for all other models

TO ORDER REPLACEMENT PARTS:

PLEASE FURNISH THE FOLLOWING INFORMATION:

- Model Number.
- Part Number of Pump.
- Part Number and Description of part.



WIRING DIAGRAM FOR MODELS
"N140" All Revisions; "N4140" All Revisions;
"E140" All Revisions; "E4140" All Revisions
2/95 thru Current

REPLACEMENT PARTS LIST FOR SINGLE SEAL MODELS "N140" and "E140".

See back page for illustration.

REF NO.	DESCRIPTION	MODELS:											
		N140-A	N140-B	N140-C	N140-D	E140-A	E140-B	E140-C	E140-D				
QTY	NOTES	2/95 thru 5/97	6/97 thru 9/02	10/02 thru 3/07	4/07 thru Current	2/95 thru 5/97	6/97 thru 9/02	10/02 thru 3/07	4/07 thru Current				
1	HANDLE	267032	267032	267032	267032	267032	267032	267032	267032				
2	CASE ASSEMBLY	267051	011549	011549	011549	267051	011549	011549	011549				
3	CASE GASKET	267007	267007	267007	267007	267007	267007	267007	267007				
4	POWER CORD	010155	011551	011551	018925	011558	003618	003618	019048				
5	SEAL ASSEMBLY POWER	010154	010154	010154	010154	010154	010154	010154	010154				
6	MOTOR HOUSING ASSEMBLY	010156	010156	010156	010156	010157	010157	010157	010157				
7	ROTOR & BRG ASM	010994	010994	010994	010994	010994	010994	010994	010994				
8	25 OZ OIL CAN	010330	010330	010330	010330	010330	010330	010330	010330				
9	16 OZ OIL CAN	N/A	N/A	N/A	N/A	N/A	N/A	N/A	N/A				
10	SEAL ASSEMBLY	011681	011681	011681	011681	011681	011681	011681	011681				
11	SQUARE RING SEAL	267006	267006	267006	267006	267006	267006	267006	267006				
12	BASE	010324	010324	014961	014961	010324	010324	014961	014961				
13	HANDLE RETAINERS	267053	267053	267053	267053	267053	267053	267053	267053				
14	TERM INSULATOR	001797	N/A	N/A	N/A	001797	N/A	N/A	N/A				
15	WIRE PACK	010159	011548	011548	011548	010159	011548	011548	011548				
16	CAPACITOR ASSEMBLY	010160	011550	011550	011550	010160	011550	011550	011550				
17	BEARING RADIAL	009540	009540	009540	009540	009540	009540	009540	009540				
18	ADAPTER	N/A	N/A	N/A	N/A	N/A	N/A	N/A	N/A				
19	PUMP HOUSING	009518	009518	014813	014813	009518	009518	014813	014813				
20	IMPELLER	011689	011689	014457	014457	011689	011689	014457	014457				
21	TEST PLUG	034090	034090	034090	034090	034090	034090	034090	034090				
22	SCREW 1/4-20X3/4	001916	001916	001916	001916	001916	001916	001916	001916				
23	SCREW 10-24X3/4	001885	001885	001885	001885	001885	001885	001885	001885				
24	SCREW 10-24X3/8	001883	001883	001883	001883	001883	001883	001883	001883				
25	SCREW 6-32X7/16	004644	004644	004644	004644	004644	004644	004644	004644				
26	WASHER#6	002117	002117	002117	002117	002117	002117	002117	002117				
27	GROUND SCREW	001877	001877	001877	001877	001877	001877	001877	001877				
28	THRU WALL TERMINAL	003402	003402	003402	003402	003402	003402	003402	003402				
29	SNAP RING & WASHER	N/A	N/A	N/A	N/A	N/A	N/A	N/A	N/A				
30	SEM SCREW	002000	002000	N/A	N/A	002000	002000	N/A	N/A				
31	SCREW 1/2-20X	012491	012491	012491	012491	012491	012491	012491	012491				
□	REBUILD KIT	010173	010173	010173	010173	010173	010173	010173	010173				

• Items included in Rebuild Kit.

□ Not shown in illustration.

NOTES:

- 1) See FM0160 parts price sheet for listing of parts pricing.
- 2) "NA" indicates not applicable
- 3) If an "x" follows model number or date of manufacture on brass I.D. tag, consult factory for ordering of this part.
- 4) When replacing capacitor assembly on "REV. A" pumps only (Item 16) customer must also replace the case assembly (Item 2).

REPLACEMENT PARTS LIST FOR DOUBLE SEAL MODELS "N4140" and "E4140".

See back page for illustration.

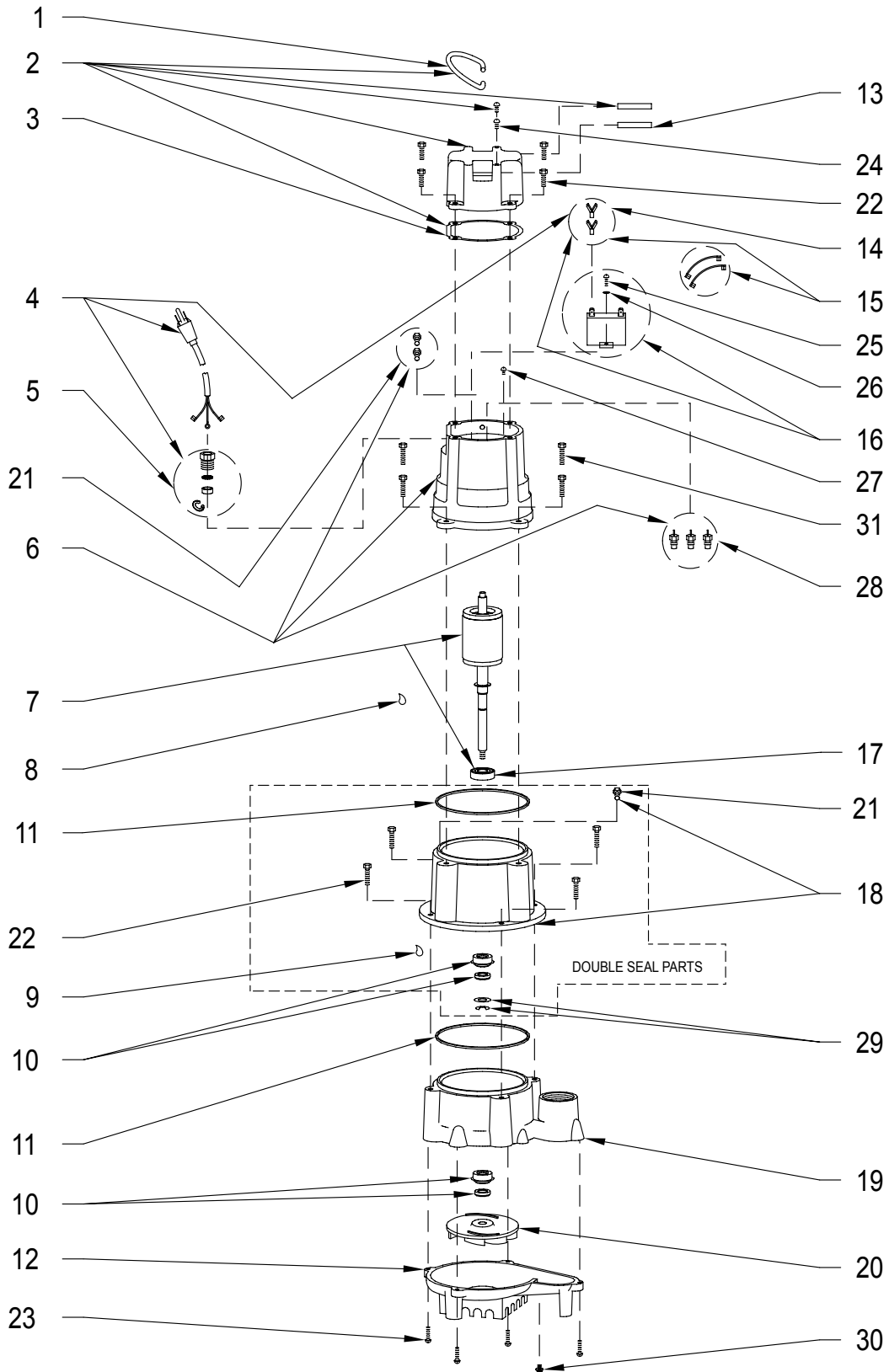
REF NO.	DESCRIPTION	MODELS:									
		N4140-A	N4140-B	N4140-C	N4140-D	E4140-A	E4140-B	E4140-C	E4140-D		
QTY	NOTES	2/95 thru 5/97	6/97 thru 9/02	10/02 thru 3/07	4/07 thru Current	2/95 thru 5/97	6/97 thru 9/02	10/02 thru 3/07	4/07 thru Current		
1	HANDLE	267032	267032	267032	267032	267032	267032	267032	267032		
2	CASE ASSEMBLY	267051	011549	011549	011549	267051	011549	011549	011549		
3	CASE GASKET	267007	267007	267007	267007	267007	267007	267007	267007		
4	POWER CORD	010155	011551	011551	018925	011558	003618	003618	019048		
5	SEAL ASSEMBLY POWER	010154	010154	010154	010154	010154	010154	010154	010154		
6	MOTOR HOUSING ASSEMBLY	010156	010156	010156	010156	010157	010157	010157	010157		
7	ROTOR & BRG ASM	010996	010996	010996	010996	010996	010996	010996	010996		
8	36.5 OZ OIL CAN	010331	010331	010331	010331	010331	010331	010331	010331		
9	16 OZ OIL CAN	010158	010158	010158	010158	010158	010158	010158	010158		
10	SEAL ASSEMBLY	011681	011681	011681	011681	009566	011681	011681	011681		
11	SQUARE RING SEAL	267006	267006	267006	267006	267006	267006	267006	267006		
12	BASE	010324	010324	014961	014961	010324	010324	014961	014961		
13	HANDLE RETAINERS	267053	267053	267053	267053	267053	267053	267053	267053		
14	TERM INSULATOR	001797	N/A	N/A	N/A	001797	N/A	N/A	N/A		
15	WIRE PACK	010159	011548	011548	011548	010159	011548	011548	011548		
16	CAPACITOR ASSEMBLY	010160	011550	011550	011550	010160	011550	011550	011550		
17	BEARING RADIAL	009540	009540	009540	009540	009540	009540	009540	009540		
18	ADAPTER	011679	011679	011679	011679	011679	011679	011679	011679		
19	PUMP HOUSING	009518	009518	014813	014813	009518	009518	014813	014813		
20	IMPELLER	011689	011689	014457	014457	011689	011689	014457	014457		
21	TEST PLUG	034090	003490	003490	003490	034090	034090	003490	003490		
22	SCREW 1/4-20X3/4	001916	001916	001916	001916	001916	001916	001916	001916		
23	SCREW 10-24X3/4	001885	001885	001885	001885	001885	001885	001885	001885		
24	SCREW 10-24X3/8	001883	001883	001883	001883	001883	001883	001883	001883		
25	SCREW 6-32X7/16	004644	004644	004644	004644	004644	004644	004644	004644		
26	WASHER #6	002117	002117	002117	002117	002117	002117	002117	002117		
27	GROUND SCREW	001877	001877	001877	001877	001877	001877	001877	001877		
28	THRU WALL TERMINAL	003402	003402	003402	003402	003402	003402	003402	003402		
29	SNAP RING & WASHER	010167	010167	010167	010167	010167	010167	010167	010167		
30	SEM SCREW	002000	002000	N/A	N/A	002000	002000	N/A	N/A		
31	SCREW 1/2-20X	012491	012491	012491	012491	012491	012491	012491	012491		
□	REBUILD KIT	010166	010166	010166	010166	010166	010166	010166	010166		

□ Items included in Rebuild Kit. □ Not shown in illustration.

NOTES:

- 1) See FM0160 parts price sheet for listing of parts pricing.
- 2) "NA" indicates not applicable
- 3) If an "x" follows model number or date of manufacture on brass I.D. tag, consult factory for ordering of this part.
- 4) When replacing capacitor assembly on "REV. A" pumps only (Item 16) customer must also replace the case assembly (Item 2).

REPLACEMENT PARTS ILLUSTRATION FOR MODELS "140" and "4140"



SK1538



www.zoeller.com

ZOELLER
PUMP CO.

MAIL TO: P.O. BOX 16347
Louisville, KY 40256-0347
SHIP TO: 3649 Cane Run Road
Louisville, KY 40211-1961
(502) 778-2731 • 1 (800) 928-PUMP
FAX (502) 774-3624

Manufacturers of..

"QUALITY PUMPS SINCE 1939"