



**REPLACEMENT PARTS LIST FOR MODELS "M282" and "D282".** See back page for "M282" AND "D282" illustration.

| MODELS: M282-A M282-B M282-C |                                   |     |       |                       |                    | D282-A D282-B D282-C |                       |                    |                   |  |  |
|------------------------------|-----------------------------------|-----|-------|-----------------------|--------------------|----------------------|-----------------------|--------------------|-------------------|--|--|
| REF. NO.                     | DESCRIPTION                       | QTY | NOTES | 11/81 XM thru 8/86 US | 9/86 VS thru 12/92 | 1/93 thru Current    | 11/81 XM thru 8/86 US | 9/86 VS thru 12/92 | 1/93 thru Current |  |  |
| 1                            | Case Switch & Cd                  | 1   | 2,4   | 003164                | 004757             | 004757               |                       |                    |                   |  |  |
| 2                            | • Guard                           | 1   |       | 001023                | 001023             | 001023               | 004759                | 004759             | 004759            |  |  |
| 3                            | Case-Mach                         | 1   | 2,4   | 004757                | 004614             | 004614               | 001023                | 001023             | 001023            |  |  |
| 4                            | • Arm & Seal Asm                  | 1   | 2     | 002379                | 004745             | 004745               | 004759                | 004614             | 004614            |  |  |
| 5                            | • Gasket, Case/Cover              | 1   |       | 001011                | 001011             | 001011               | 002379                | 004745             | 004745            |  |  |
| 6                            | Switch Asm "282"                  | 1   | 2     | 002380                | 004755             | 004755               | 001011                | 001011             | 001011            |  |  |
| 7                            | • Lead Wire (Gray)                | 1   |       | 002609                | NA                 | NA                   | 002380                | 004755             | 004755            |  |  |
| 8                            | • Wire Pkg (2)Wires               | 1   |       | 003165                | 004756             | 004756               | 002609                | NA                 | NA                |  |  |
| 9                            | Relay                             | 1   |       | NA                    | NA                 | NA                   | 003165                | 004756             | 004756            |  |  |
| 10                           | Capacitor & Clamp Asm 20uf        | 1   |       | 002381                | 002381             | 002381               | NA                    | NA                 | NA                |  |  |
| 11                           | Float, Plastic                    | 1   |       | 094039                | 094039             | 094039               | 002381                | 002381             | 002381            |  |  |
| 12                           | Guide Asm, Flt Rod                | 1   |       | 094048                | 094048             | 094048               | 094039                | 094039             | 094039            |  |  |
| 13                           | • Rod Asm, Flt                    | 1   |       | 001043                | 001043             | 001043               | 094048                | 094048             | 094048            |  |  |
| 14                           | • Housing, Mtr-&Str "282"GE       | 1   | 1,3   | 003166                | 003166             | 003166               | 001043                | 001043             | 001043            |  |  |
| 15                           | • Housing, Mtr-&Str "282"EMD      | 1   | 1,3   | 005539                | 005539             | 005539               | 003172                | 003172             | 003172            |  |  |
| 16                           | Bearing, Sleeve                   | 1   |       | 001012                | 001012             | 001012               | 006091                | 006091             | 006091            |  |  |
| 17                           | • Handle                          | 1   |       | 217069                | 217069             | 217069               | 001012                | 001012             | 001012            |  |  |
| 18                           | • Cord Term & Seal                | 1   | 2,4   | 217049                | 094071             | 094071               | 217069                | 217069             | 217069            |  |  |
| 19                           | • Clamp, Strain Relief            | 1   | 4     | 001770                | 001770             | 001770               | 217043                | 094072             | 094072            |  |  |
| 20                           | • Seal, Cord-Asm & Strain Relief  | 1   | 4     | 094032                | 094032             | 094032               | 001770                | 001770             | 001770            |  |  |
| 21                           | • Plug, Test-White                | 2   |       | 034090                | 034090             | 034090               | 094032                | 094032             | 094032            |  |  |
| 22                           | • Seal, Thru Wall Term            | 3   |       | 003402                | 003402             | 003402               | 001770                | 001770             | 001770            |  |  |
| 23                           | • Rotor & Brg 115/230V "282" GE   | 1   | 3     | 003167                | 003167             | 007978               | 003402                | 003402             | 003402            |  |  |
| 24                           | • Rotor & Brg 115/230V "282" EMD  | 1   | 3     | 005540                | 005540             | 007979               | 003167                | 003167             | 007978            |  |  |
| 25                           | • Bearing, Lower Rotor            | 1   |       | 094106                | 094106             | 001013               | 005540                | 005540             | 007979            |  |  |
| 26                           | • Seal, Mtr Hsg                   | 1   |       | 001014                | 001014             | 001014               | 094106                | 094106             | 001013            |  |  |
| 27                           | • Oil, Dielectric (44 Oz Can)     | 1   |       | 003168                | 003168             | 003168               | 001014                | 001014             | 001014            |  |  |
| 28                           | Adapter-Mach "280"                | 1   |       | 002357                | 002357             | 001003               | 003168                | 003168             | 003168            |  |  |
| 29                           | • Seal, Shaft "282", "284"        | 1   |       | 002946                | 002946             | 002946               | 002357                | 002357             | 001003            |  |  |
| 30                           | Flange Pkg 2"NPT                  | 1   |       | 217024                | 217024             | 217024               | 002946                | 002946             | 002946            |  |  |
| 31                           | Flange Pkg 3"NPT                  | 1   |       | 317024                | 317024             | 317024               | 217024                | 217024             | 217024            |  |  |
| 32                           | Impeller "282"                    | 1   |       | 002998                | 002998             | 002998               | 317024                | 317024             | 317024            |  |  |
| 33                           | Housing, Pump-Mach                | 1   |       | 217012                | 217012             | 217012               | 002998                | 002998             | 002998            |  |  |
| 34                           | • Screw, #10-24 X.375 RHM-SI SS   | 2   |       | 001883                | 001883             | 001883               | 217012                | 217012             | 217012            |  |  |
| 35                           | • Screw, #6-32x.25RHM SI Tc Stlgr | 4   |       | 001877                | 001877             | 001877               | 001883                | 001883             | 001883            |  |  |
| 36                           | • Screw, .25-20 X .75 HHM-SS      | 4   |       | 001916                | 001916             | 001916               | 001877                | 001877             | 001877            |  |  |
| 37                           | • Screw, #6-32x.438Rhsstp"1"Stlzi | 2   |       | 001877                | 004644             | 004644               | 001916                | 001916             | 001916            |  |  |
| 38                           | • Screw, .5-13 X 2 HH Cap-SS      | 2   |       | 001909                | 001909             | 001909               | 001877                | 001877             | 001877            |  |  |
| 39                           | • Washer, SS-1.25"Odx.562"Idx.078 | 2   |       | 002115                | 002115             | 002115               | 001909                | 001909             | 001909            |  |  |
| 40                           | • Screw, .313-18 X 1"HH Cap-SS    | 4   |       | 002608                | 002608             | 002608               | 002115                | 002115             | 002115            |  |  |
| 41                           | • Screw, 25-20X1" HHm-SS          | 4   |       | 007790                | 007790             | 007790               | 002608                | 002608             | 002608            |  |  |
| 42                           | Rebuild Kit "280"                 | 1   |       | 003170                | 004758             | 007980               | 007790                | 007790             | 007790            |  |  |
|                              |                                   |     |       |                       |                    |                      | 003170                | 004758             | 007980            |  |  |

• Items included in Rebuild Kit.      □ Not shown in illustration.

**NOTES:**

- 1) Mtr. Hsg., Brg., Stator & Term. (Item 13) are preassembled at the factory and must be replaced as a unit. Stator is permanently attached to the Motor Housing. Plug (Item 19); Seal, Thru Wall Term. (Item 20) and Bearing - Upper (Item 14) are replaceable.
- 2) When ordering these parts, customer must identify if switch is a General Electric switch.
- 3) When ordering Motor Housing, Bearing, Stator and Term. (Item 13) or Rotor (Item 21) specify either GE or Emerson motor. GE motor can be identified by (4) holes spaced at 90° around the outside diameter of the stator. Emerson motor can be identified by (4) flat edges spaced at 90° around the outside diameter of the stator.
- 4) If an "X" follows Model No., or Date Mfg. on brass ID tag, consult factory for ordering any parts.
- 5) See FM0160 Parts Price Sheet for listing of parts prices.
- 6) "NA" indicates, not applicable.

| DATE CODE OF MANUFACTURE<br>FROM 12/70 to 12/88 |           |                 |          |          |
|---|-----------|-----------------|----------|----------|
| 1st LETTER MONTH                                |           | 2nd LETTER YEAR |          |          |
| M — JAN.  | T — JULY  | A — 1971        | G — 1977 | O — 1983 |
| N — FEB.  | U — AUG.  | B — 1972        | H — 1978 | P — 1984 |
| O — MARCH                                       | V — SEPT. | C — 1973        | I — 1979 | R — 1985 |
| P — APRIL                                       | W — OCT.  | D — 1974        | J — 1980 | S — 1986 |
| R — MAY   | X — NOV.  | E — 1975        | M — 1981 | T — 1987 |
| S — JUNE  | Y — DEC.  | F — 1976        | N — 1982 | U — 1988 |

**NOTE:** Four digit (MMYY) date of mfg. used after June, 1988.  
IE: MMYY = 0192 = Jan. 1992.

**REPLACEMENT PARTS LIST FOR MODELS "N282" and "E282".** See back page for "N282" AND "E282" illustration.

| REF. NO. | DESCRIPTION                     | QTY | NOTES | MODELS:               |                    |                   |  |  |  |        |        |        |
|----------|---------------------------------|-----|-------|-----------------------|--------------------|-------------------|--|--|--|--------|--------|--------|
|          |                                 |     |       | N282-A                | N282-B             | N282-C            |  |  |  |        |        |        |
|          |                                 |     |       | 11/81 XM thru 8/86 US | 9/86 VS thru 12/92 | 1/93 thru Current |  |  |  |        |        |        |
| 1        | Cover & Cord 115V/1Ph "282"     | 1   | 3     | 003173                | 003173             | 003173            |  |  |  | 003174 | 003174 | 003174 |
| 2        | Cover-Mach                      | 1   | 3     | 001077                | 001077             | 001077            |  |  |  | 001077 | 001077 | 001077 |
| 3        | Gasket, Case/Cover              | 1   |       | 001011                | 001011             | 001011            |  |  |  | 001011 | 001011 | 001011 |
| 4        | Wire Pkg (2)Wires               | 1   |       | 003165                | 004756             | 004756            |  |  |  | 003165 | 004756 | 004756 |
| 5        | Capacitor & Clamp Asm 20uf      | 1   |       | 002381                | 002381             | 002381            |  |  |  | 002381 | 002381 | 002381 |
| 6        | Housing, Mtr-&Str "282" GE      | 1   | 1,2   | 003166                | 003166             | 003166            |  |  |  | 003172 | 003172 | 003172 |
| 7        | Housing, Mtr-&Str "282" EMD     | 1   | 1,2   | 005539                | 005539             | 005539            |  |  |  | 006091 | 006091 | 006091 |
| 8        | Bearing, Sleeve                 | 1   |       | 001012                | 001012             | 001012            |  |  |  | 001012 | 001012 | 001012 |
| 9        | Handle                          | 1   |       | 217069                | 217069             | 217069            |  |  |  | 217069 | 217069 | 217069 |
| 10       | Cord Term & Seal Asm            | 1   | 3     | 003617                | 003617             | 003617            |  |  |  | 003618 | 003618 | 003618 |
| 11       | Clamp, Strain Relief-Red        | 1   | 3     | 001770                | 001770             | 001770            |  |  |  | 001770 | 001770 | 001770 |
| 12       | Seal, Cord-Asm & Strain Relief  | 1   | 3     | 094032                | 094032             | 094032            |  |  |  | 094032 | 094032 | 094032 |
| 13       | Plug, Test-White                | 2   |       | 034090                | 034090             | 034090            |  |  |  | 034090 | 034090 | 034090 |
| 14       | Seal, Thru Wall Term            | 3   |       | 003402                | 003402             | 003402            |  |  |  | 003402 | 003402 | 003402 |
| 15       | Rotor & Brg 115/230V "282" GE   | 1   | 2     | 003167                | 003167             | 007978            |  |  |  | 003167 | 003167 | 007978 |
| 16       | Rotor & Brg 115/230V "282" EMD  | 1   | 2     | 005540                | 005540             | 007979            |  |  |  | 005540 | 005540 | 007979 |
| 17       | Bearing, Lower Rotor            | 1   |       | 094106                | 094106             | 001013            |  |  |  | 094106 | 094106 | 001013 |
| 18       | Seal, Mtr Hsg                   | 1   |       | 001014                | 001014             | 001014            |  |  |  | 001014 | 001014 | 001014 |
| 19       | Oil, Dielectric-(44 Oz Can)     | 1   |       | 003168                | 003168             | 003168            |  |  |  | 003168 | 003168 | 003168 |
| 20       | Adapter-Mach "280"              | 1   |       | 002357                | 002357             | 001003            |  |  |  | 002357 | 002357 | 001003 |
| 21       | Seal, Shaft "282", "284"        | 1   |       | 002946                | 002946             | 002946            |  |  |  | 002946 | 002946 | 002946 |
| 22       | Flange Pkg 2"NPT                | 1   |       | 217024                | 217024             | 217024            |  |  |  | 217024 | 217024 | 217024 |
| 23       | Flange Pkg 3"NPT                | 1   |       | 317024                | 317024             | 317024            |  |  |  | 317024 | 317024 | 317024 |
| 24       | Impeller "282"                  | 1   |       | 002998                | 002998             | 002998            |  |  |  | 002998 | 002998 | 002998 |
| 25       | Housing, Pump-Mach              | 1   |       | 217012                | 217012             | 217012            |  |  |  | 217012 | 217012 | 217012 |
| 26       | Screw, #6-32x.25RHM SI Tc Stlgr | 3   |       | 001877                | 001877             | 001877            |  |  |  | 001877 | 001877 | 001877 |
| 27       | Screw, #10-24 X.375 RHM-SI SS   | 2   |       | 001883                | 001883             | 001883            |  |  |  | 001883 | 001883 | 001883 |
| 28       | Screw, .25-20 X.75 HHm-SS       | 4   |       | 001916                | 001916             | 001916            |  |  |  | 001916 | 001916 | 001916 |
| 29       | Screw, .5-13 X 2 HH Cap-SS      | 2   |       | 001909                | 001909             | 001909            |  |  |  | 001909 | 001909 | 001909 |
| 30       | Washer, SS-1.25"Odx.562"ldx.078 | 2   |       | 002115                | 002115             | 002115            |  |  |  | 002115 | 002115 | 002115 |
| 31       | Screw, .313-18 X 1" HHm-SS      | 4   |       | 002608                | 002608             | 002608            |  |  |  | 002608 | 002608 | 002608 |
| 32       | Screw, .25-20X1" HHm-SS         | 4   |       | 007790                | 007790             | 007790            |  |  |  | 007790 | 007790 | 007790 |
| 33       | Rebuild Kit "280"               | 1   |       | 003170                | 004758             | 007980            |  |  |  | 003170 | 004758 | 007980 |

• Items included in Rebuild Kit.      ✖ Not shown in illustration.

**NOTES:**

- 1) Mtr. Hsg., Brg., Stator & Term. (Item 6) are preassembled at the factory and must be replaced as a unit. Stator is permanently attached to the Motor Housing. Plug (Item 12); Seal, Thru Wall Term. (Item 13) and Bearing - Upper (Item 7) are replaceable.
- 2) When ordering Motor Housing, Bearing, Stator and Term. (Item 6) or Rotor (Item 14) specify either GE or Emerson motor. GE motor can be identified by (4) holes spaced at 90° around the outside diameter of the stator. Emerson motor can be identified by (4) flat edges spaced at 90° around the outside diameter of the stator.
- 3) If an "X" follows Model No., or Date Mfg. on brass ID tag, consult factory for ordering any parts.
- 4) See FM0160 Parts Price Sheet for listing of parts prices.
- 5) "NA" indicates, not applicable.



<http://www.zoeller.com>

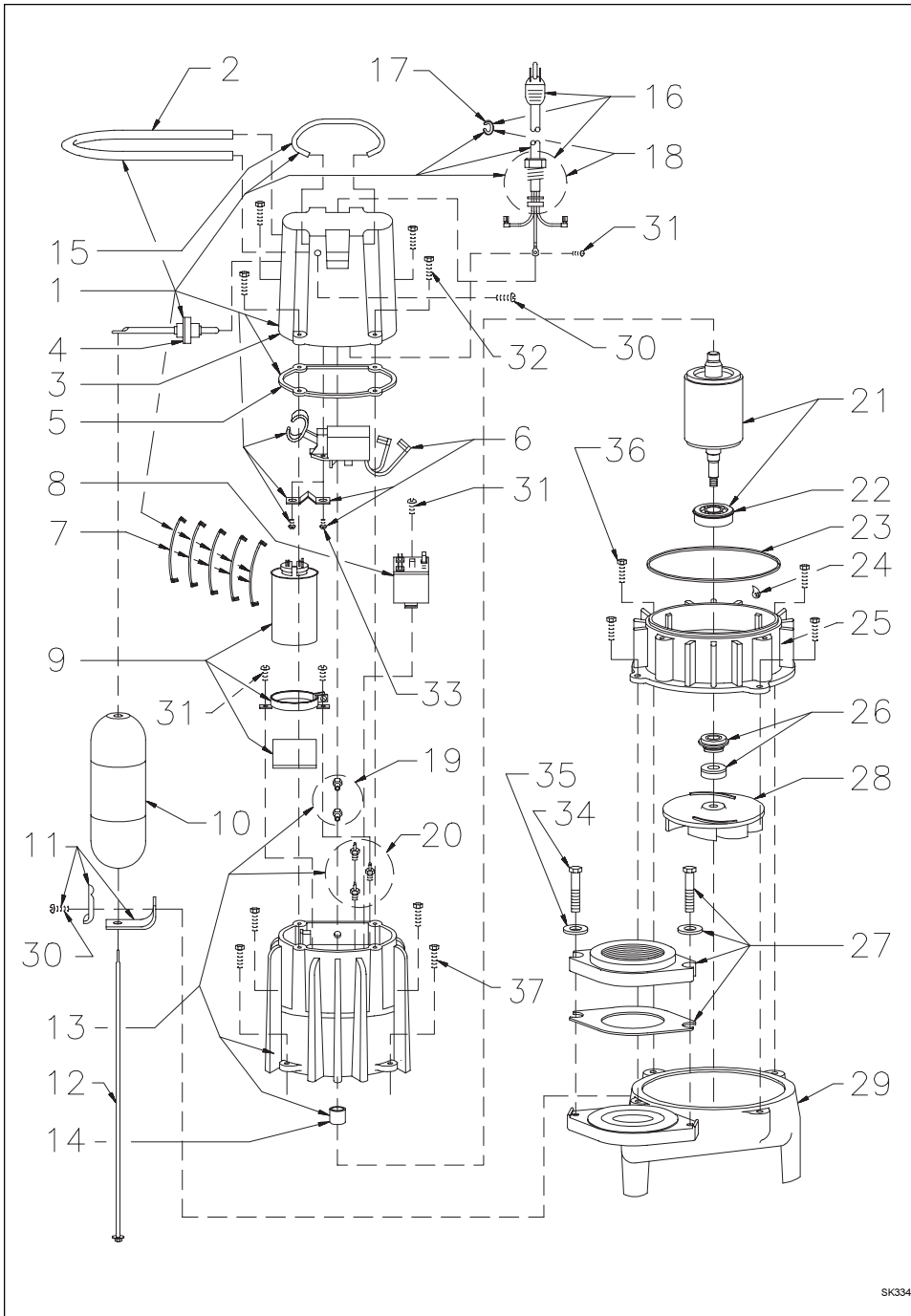


MAIL TO: P.O. BOX 16347  
Louisville, KY 40256-0347  
SHIP TO: 3649 Cane Run Road  
Louisville, KY 40211-1961  
(502) 778-2731 • 1 (800) 928-PUMP  
FAX (502) 774-3624

Manufacturers of . .

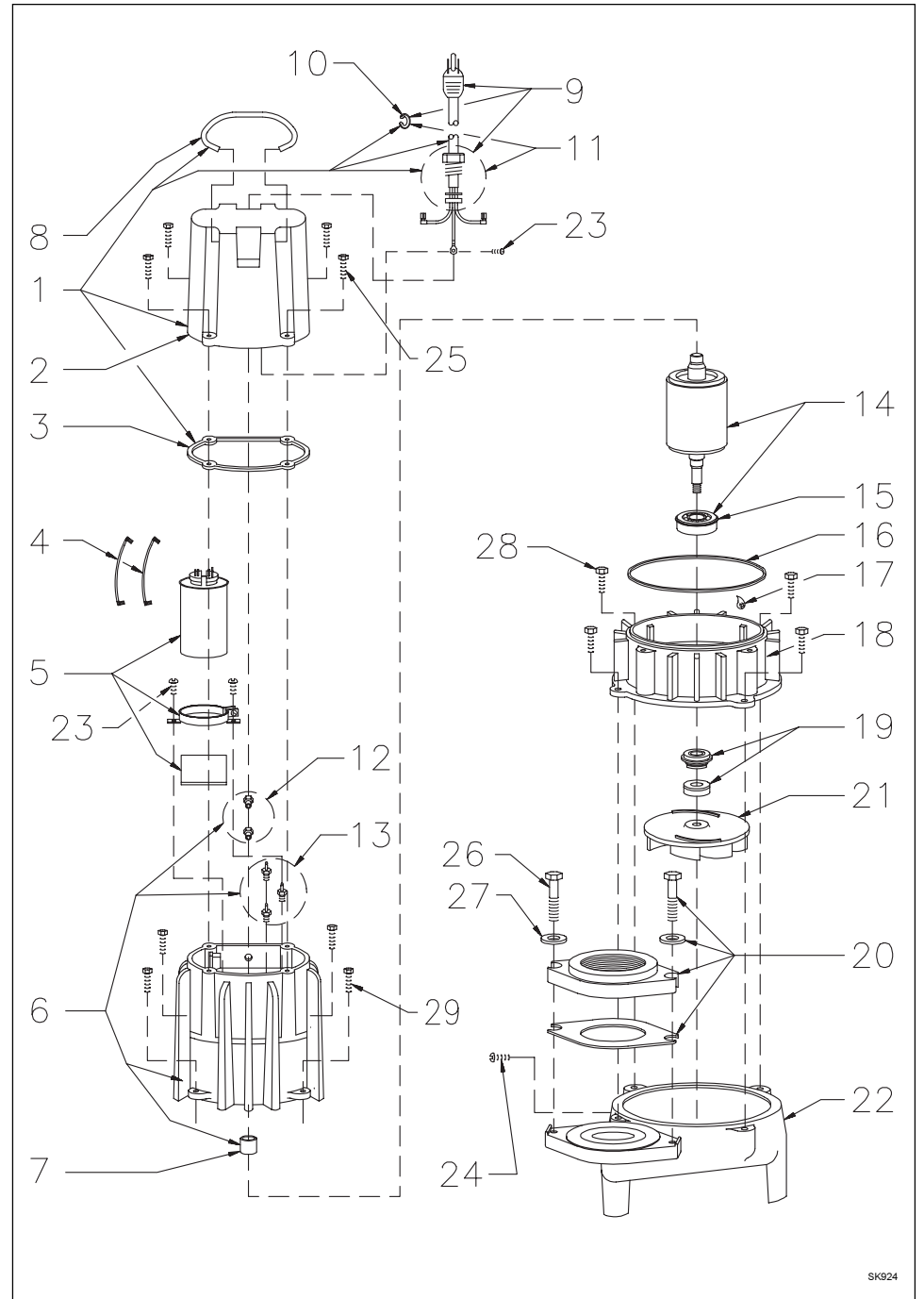
*"QUALITY PUMPS SINCE 1939"*

REPLACEMENT PARTS ILLUSTRATION FOR MODEL "M282" and "D282"



SK334

REPLACEMENT PARTS ILLUSTRATION FOR MODEL "N282" and "E282"



SK924