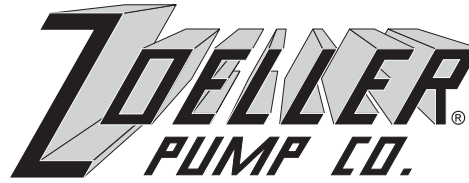


*"QUALITY PUMPS SINCE 1939"*

Product information presented here reflects conditions at time of publication. Consult factory regarding discrepancies or inconsistencies.



SECTION: 6.10.335

FM1427

0507

Supersedes

0406

MAIL TO: P.O. BOX 16347 • Louisville, KY 40256-0347  
SHIP TO: 3649 Cane Run Road • Louisville, KY 40211-1961  
(502) 778-2731 • 1 (800) 928-PUMP • FAX (502) 774-3624

visit our web site:  
[www.zoeller.com](http://www.zoeller.com)

## REPLACEMENT PARTS LIST FOR MODELS:

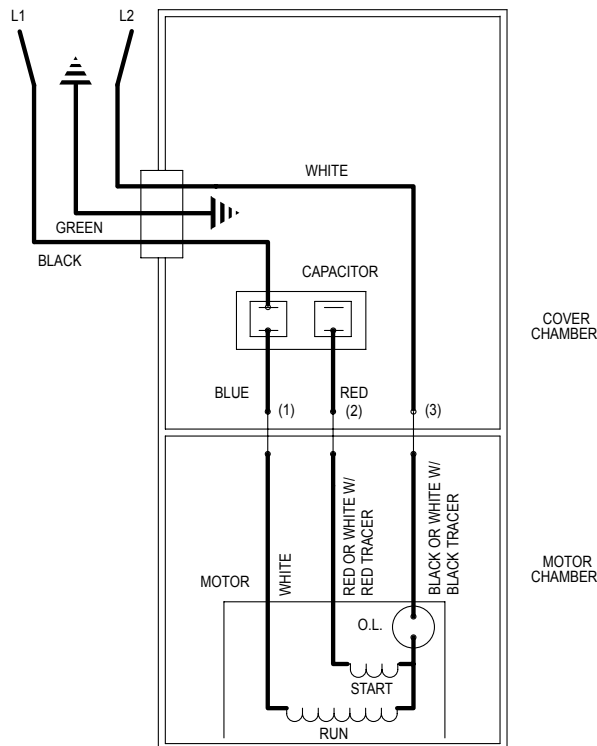
**N270 NONAUTOMATIC 115V**  
**E270 NONAUTOMATIC 230V**  
**N4270 NONAUTOMATIC 115V**  
**E4270 NONAUTOMATIC 230V**

Consult factory for all other models

### TO ORDER REPLACEMENT PARTS:

#### PLEASE FURNISH THE FOLLOWING INFORMATION:

- Model Number.
- Part Number of Pump.
- Part Number and Description of part.



WIRING DIAGRAM FOR MODELS  
"N270" All Revisions; "E270" All Revisions;  
"N4270" All Revisions; "E4270" All Revisions  
6/95 thru Current

**REPLACEMENT PARTS LIST FOR SINGLE SEAL MODELS "N270" and "E270"**

REF NO.	DESCRIPTION	MODELS:			QTY	NOTES	N270-A			N270-B			N270-C			E270-A			E270-B			E270-C		
		6/95 thru 5/97	6/95 thru 5/97	6/95 thru 5/97			6/97 thru 3/07	6/97 thru 3/07	6/97 thru 3/07	4/07 thru Current	6/95 thru 5/97	6/95 thru 5/97	6/95 thru 5/97	6/97 thru 3/07	6/97 thru 3/07	6/97 thru 3/07	4/07 thru Current	6/95 thru 5/97	6/95 thru 5/97	6/95 thru 5/97	6/97 thru 3/07	6/97 thru 3/07	6/97 thru 3/07	4/07 thru Current
1	HANDLE		267032	267032	1		267032	267032	267032	267032	267032	267032	267032	267032	267032	267032	267032	267032	267032	267032	267032	267032	267032	
2	CASE ASSEMBLY		267051	267051	1		267051	267051	267051	267051	267051	267051	267051	267051	267051	267051	267051	267051	267051	267051	267051	267051	267051	
3	CASE GASKET		267007	267007	1		267007	267007	267007	267007	267007	267007	267007	267007	267007	267007	267007	267007	267007	267007	267007	267007	267007	
4	POWER CORD		010155	010155	1	3	010155	010155	010155	010155	010155	010155	010155	010155	010155	010155	010155	010155	010155	010155	010155	010155	010155	
5	SEAL ASSEMBLY POWER		010154	010154	1		010154	010154	010154	010154	010154	010154	010154	010154	010154	010154	010154	010154	010154	010154	010154	010154	010154	
6	MOTOR HOUSING ASSEMBLY		010156	010156	1		010156	010156	010156	010156	010156	010156	010156	010156	010156	010156	010156	010156	010156	010156	010156	010156	010156	
7	ROTOR & BRG ASM		010994	010994	1		010994	010994	010994	010994	010994	010994	010994	010994	010994	010994	010994	010994	010994	010994	010994	010994	010994	
8	BEARING RADIAL		009540	009540	1		009540	009540	009540	009540	009540	009540	009540	009540	009540	009540	009540	009540	009540	009540	009540	009540	009540	
9	25 OZ OIL CAN		010330	010330	1		010330	010330	010330	010330	010330	010330	010330	010330	010330	010330	010330	010330	010330	010330	010330	010330	010330	
10	SEAL ASSEMBLY		011681	011681	1		011681	011681	011681	011681	011681	011681	011681	011681	011681	011681	011681	011681	011681	011681	011681	011681	011681	
11	SQUARE RING SEAL		267006	267006	1		267006	267006	267006	267006	267006	267006	267006	267006	267006	267006	267006	267006	267006	267006	267006	267006	267006	
12	BASE		010973	010973	1		010973	010973	010973	010973	010973	010973	010973	010973	010973	010973	010973	010973	010973	010973	010973	010973	010973	
13	HANDLE RETAINERS		267053	267053	2		267053	267053	267053	267053	267053	267053	267053	267053	267053	267053	267053	267053	267053	267053	267053	267053	267053	
14	TERM INSULATOR		001797	001797	2		001797	001797	001797	001797	001797	001797	001797	001797	001797	001797	001797	001797	001797	001797	001797	001797	001797	
15	WIRE PACK		010159	010159	1		010159	010159	010159	010159	010159	010159	010159	010159	010159	010159	010159	010159	010159	010159	010159	010159	010159	
16	CAPACITOR ASSEMBLY		010160	010160	1	4	010160	010160	010160	010160	010160	010160	010160	010160	010160	010160	010160	010160	010160	010160	010160	010160	010160	
17	PUMP HOUSING		009519	009519	1		009519	009519	009519	009519	009519	009519	009519	009519	009519	009519	009519	009519	009519	009519	009519	009519	009519	
18	IMPELLER		011690	011690	1		011690	011690	011690	011690	011690	011690	011690	011690	011690	011690	011690	011690	011690	011690	011690	011690	011690	
19	SCREW 10-24X3/8		001883	001883	2		001883	001883	001883	001883	001883	001883	001883	001883	001883	001883	001883	001883	001883	001883	001883	001883	001883	
20	SCREW 1/4-20X3/		001916	001916	4		001916	001916	001916	001916	001916	001916	001916	001916	001916	001916	001916	001916	001916	001916	001916	001916	001916	
21	SCREW 6-32X7/16		004644	004644	1		004644	004644	004644	004644	004644	004644	004644	004644	004644	004644	004644	004644	004644	004644	004644	004644	004644	
22	WASHER#6		002117	002117	1		002117	002117	002117	002117	002117	002117	002117	002117	002117	002117	002117	002117	002117	002117	002117	002117	002117	
23	GROUND SCREW		001877	001877	1		001877	001877	001877	001877	001877	001877	001877	001877	001877	001877	001877	001877	001877	001877	001877	001877	001877	
24	THRU WALL TERMINAL		003402	003402	3		003402	003402	003402	003402	003402	003402	003402	003402	003402	003402	003402	003402	003402	003402	003402	003402	003402	
25	O-RING		005701	005701	1		005701	005701	005701	005701	005701	005701	005701	005701	005701	005701	005701	005701	005701	005701	005701	005701	005701	
26	SCREW #10-10X1 HHX WASH		005326	005326	10		005326	005326	005326	005326	005326	005326	005326	005326	005326	005326	005326	005326	005326	005326	005326	005326	005326	
27	TEST PLUG		034090	034090	2		034090	034090	034090	034090	034090	034090	034090	034090	034090	034090	034090	034090	034090	034090	034090	034090	034090	
28	SCREWS		012491	012491	4		012491	012491	012491	012491	012491	012491	012491	012491	012491	012491	012491	012491	012491	012491	012491	012491	012491	
α	REBUILD KIT		010173	010173	1		010173	010173	010173	010173	010173	010173	010173	010173	010173	010173	010173	010173	010173	010173	010173	010173	010173	

• Items included in Rebuild Kit.

α Not shown in illustration.

**NOTES:**

- 1) See FM0160 parts price sheet for listing of parts pricing.
- 2) "NA" indicates not applicable.
- 3) If an "X" follows model number or date of manufacture on brass I.D. tag, consult factory for ordering of this part.
- 4) When replacing capacitor assembly on "REV. A" pumps only (Item 16), customer must also replace the case assembly (Item 2).

See back page for illustration.

**REPLACEMENT PARTS LIST FOR DOUBLE SEAL MODELS "N4270" and "E4270".**

REF NO.	DESCRIPTION	MODELS:				QTY	NOTES	N4270-A 6/95 thru 5/97	N4270-B 6/97 thru 3/07	N4270-C 4/07 thru Current	E4270-A 6/95 thru 5/97	E4270-B 6/97 thru 3/07	E4270-C 4/07 thru Current
1	HANDLE	1		267032	267032	267007	267032	267032	267032	267032	267032	267032	267032
2	CASE ASSEMBLY	1		267051	011549	267007	011549	011549	011549	011549	011549	011549	011549
3	• CASE GASKET	1		267007	267007	267007	267007	267007	267007	267007	267007	267007	267007
4	POWER CORD	1	3	010155	011551	010155	018925	010154	010154	011558	003618	019048	019048
5	• SEAL ASSEMBLY POWER	1		010154	010154	010156	010156	010154	010154	010154	010154	010154	010154
6	MOTOR HOUSING ASSEMBLY	1		010156	010156	010156	010156	010156	010156	010157	010157	010157	010157
7	ROTOR & BRG ASM	1		010996	010996	010996	010996	010996	010996	010996	010996	010996	010996
8	• 36.5 OZ OIL CAN	1		010331	010331	010331	010331	010331	010331	010331	010331	010331	010331
9	• 16 OZ OIL CAN	1		010158	010158	010158	010158	010158	010158	010158	010158	010158	010158
10	• SEAL ASSEMBLY	2		011681	011681	011681	011681	011681	011681	011681	011681	011681	011681
11	• SQUARE RING SEAL	2		267006	267006	267006	267006	267006	267006	267006	267006	267006	267006
12	BASE	1		008646	008646	008646	008646	008646	008646	008646	008646	008646	008646
13	HANDLE RETAINERS	2		267053	267053	267053	267053	267053	267053	267053	267053	267053	267053
14	TERM INSULATOR	2		001797	N/A	N/A	N/A	N/A	N/A	001797	N/A	N/A	N/A
15	• WIRE PACK	1		010159	011548	011548	011548	011548	011548	010159	011548	011548	011548
16	CAPACITOR ASSEMBLY	1	4	010180	011550	011550	011550	011550	011550	010160	011550	011550	011550
17	• BEARING	1		009540	009540	009540	009540	009540	009540	009540	009540	009540	009540
18	ADAPTER	1		011679	011679	011679	011679	011679	011679	011679	011679	011679	011679
19	PUMP HOUSING	1		010939	010939	010939	010939	010939	010939	010939	010939	010939	010939
20	IMPELLER	1		010690	011690	011690	011690	011690	011690	011690	011690	011690	011690
21	• TEST PLUG	3		034090	034090	034090	034090	034090	034090	034090	034090	034090	034090
22	• SCREW 1/4-20X3/4	13		001916	001916	001916	001916	001916	001916	001916	001916	001916	001916
23	• SCREW 10-24X3/8	2		001883	001883	001883	001883	001883	001883	001883	001883	001883	001883
24	• SCREW 6-32X7/16	1		004644	004644	004644	004644	004644	004644	004644	004644	004644	004644
25	• WASHER #6	1		002117	002117	002117	002117	002117	002117	002117	002117	002117	002117
26	• GROUND SCREW	1		001877	001877	001877	001877	001877	001877	001877	001877	001877	001877
27	• THRU WALL TERMINAL	5		003402	003402	003402	003402	003402	003402	003402	003402	003402	003402
28	• SNAP RING & WASHER	1		010167	010167	010167	010167	010167	010167	010167	010167	010167	010167
29	• SCREW S	4		012491	012491	012491	012491	012491	012491	012491	012491	012491	012491
▫	REBUILD KIT	1		010166	010166	010166	010166	010166	010166	010166	010166	010166	010166

• Items included in Rebuild Kit.      ▫ Not shown in illustration.

**NOTES:**

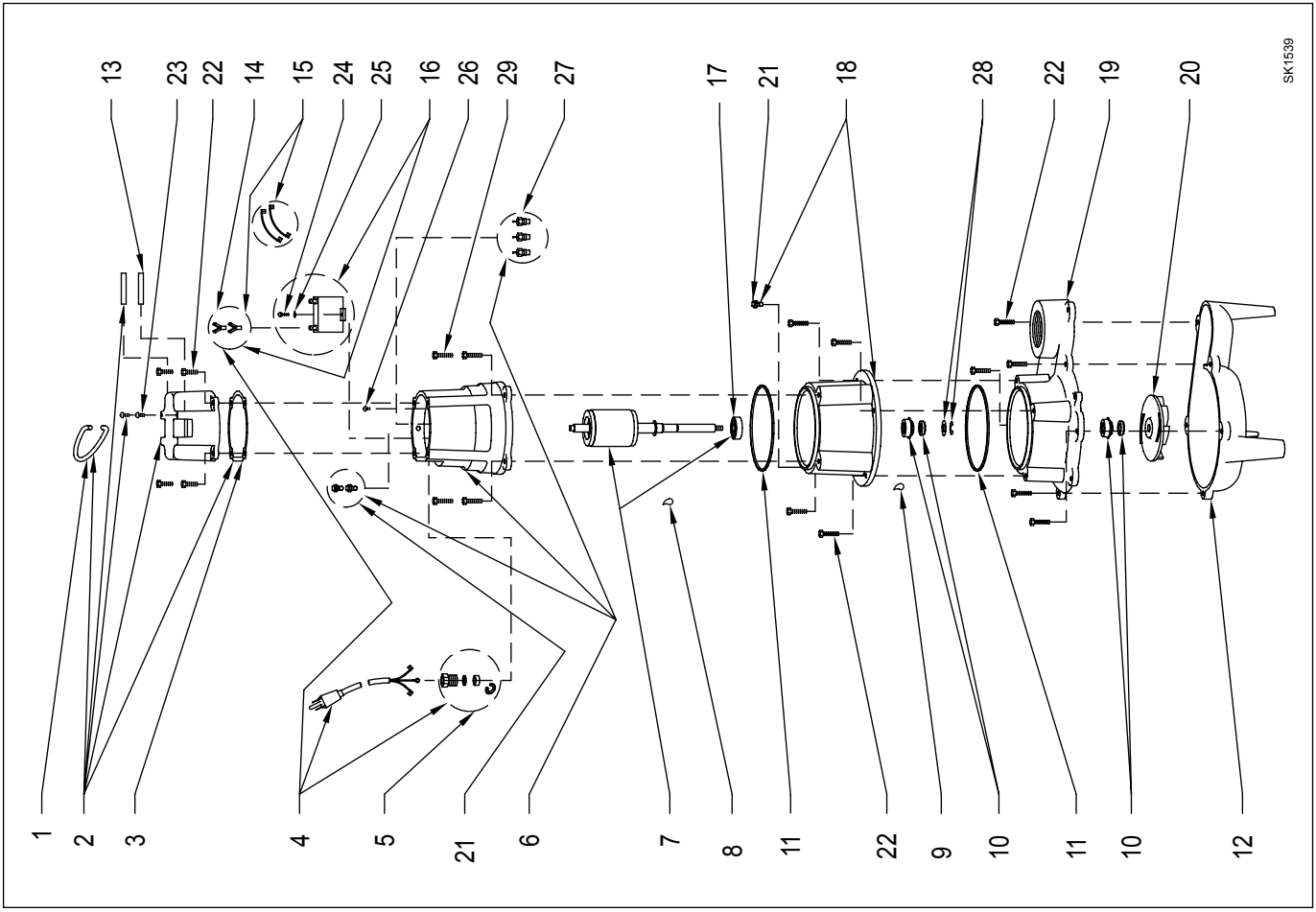
- 1) See FM0160 parts price sheet for listing of parts pricing.
- 2) "NA" indicates not applicable.
- 3) If an "X" follows model number or date of manufacture on brass I.D. tag, consult factory for ordering of this part.
- 4) When replacing capacitor assembly on "REV. A" pumps only (Item 16), customer must also replace the case assembly (Item 2).



MAIL TO: P.O. BOX 16347  
 Louisville, KY 40256-0347  
 SHIP TO: 3649 Cane Run Road  
 Louisville, KY 40211-1961  
 (502) 778-2731 • 1 (800) 928-PUMP  
 FAX (502) 774-3624

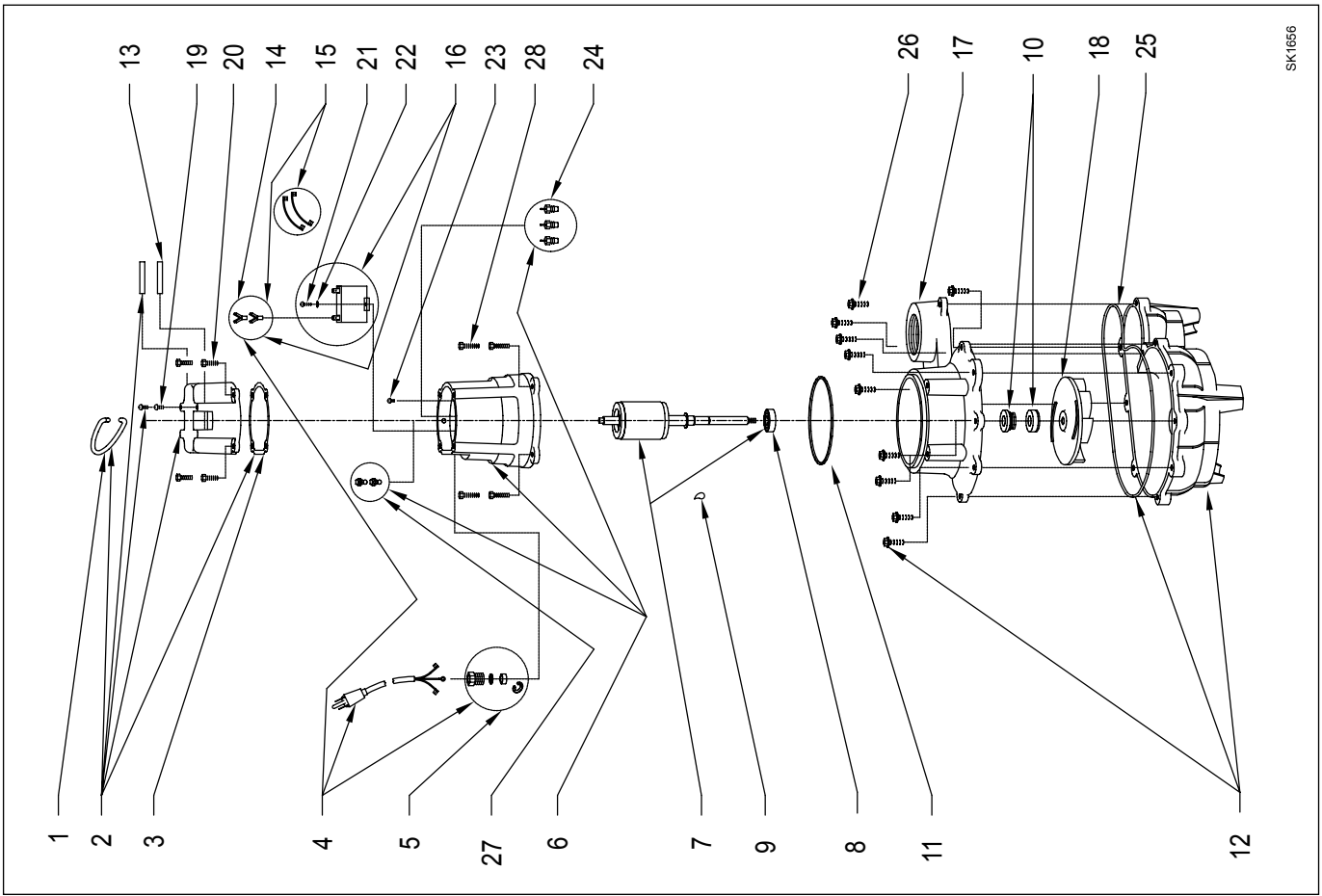
Manufacturers of...  
*"QUALITY PUMPS SINCE 1939"*

REPLACEMENT PARTS ILLUSTRATION FOR MODELS "N4270" AND "E4270"



SK1539

REPLACEMENT PARTS ILLUSTRATION FOR MODELS "N270" AND "E270"



SK1656