



Product information presented here reflects conditions at time of publication. Consult factory regarding discrepancies or inconsistencies.

MAIL TO: P.O. BOX 16347 • Louisville, KY 40256-0347  
SHIP TO: 3649 Cane Run Road • Louisville, KY 40211-1961  
(502) 778-2731 • 1 (800) 928-PUMP • FAX (502) 774-3624

visit our web site:  
[www.zoeller.com](http://www.zoeller.com)

## REPLACEMENT PARTS LIST FOR MODELS:

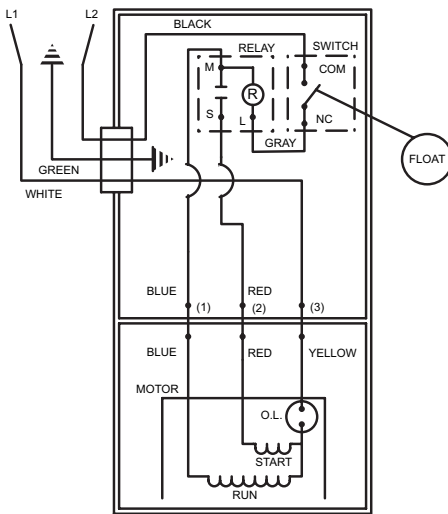
**M268 AUTOMATIC 115V**  
**D268 AUTOMATIC 230V**  
**N268 NONAUTOMATIC 115V**  
**E268 NONAUTOMATIC 230V**

Consult factory for all other models

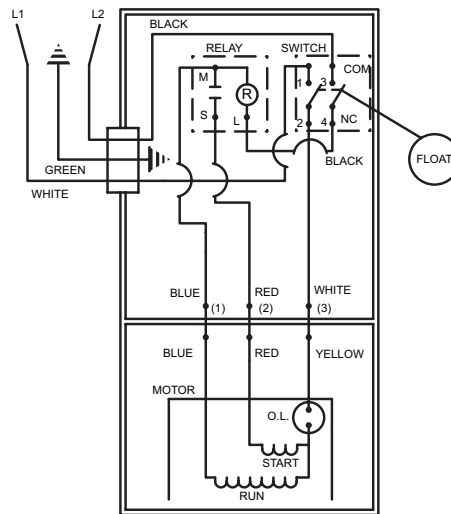
### TO ORDER REPLACEMENT PARTS:

#### PLEASE FURNISH THE FOLLOWING INFORMATION:

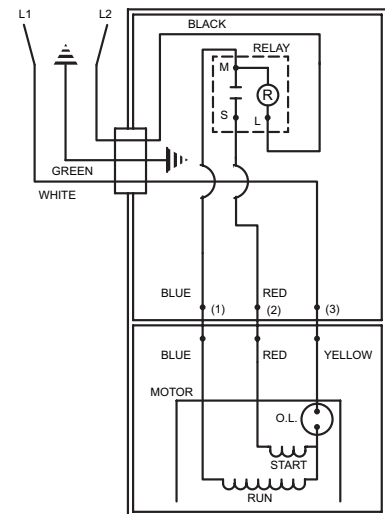
- Model Number.
- Part Number of Pump.  
(If manufactured prior to June 1988, give 2 letter date code following Model No.)
- Part Number and Description of part.



WIRING DIAGRAM FOR MODELS  
"M268-A", "M268-B"  
"D268-A", "D268-B"  
4/82 (PN) thru 8/86 (US)



WIRING DIAGRAM FOR MODELS  
"M268-C", "M268-D", "D268-C", "D268-D"  
9/86 (VS) to Current



WIRING DIAGRAM FOR MODELS  
"N268-A", "N268-B", "N268-C", "N268-D"  
"E268-A", "E268-B", "E268-C", "E268-D"  
4/82 (PN) to Current

# REPLACEMENT PARTS LIST FOR MODELS "M268" & "D268"

See back page for "M268" & "D268" illustration.

REF. NO.	DESCRIPTION	QTY	NOTES	MODELS: M268-A				MODELS: M268-B				MODELS: M268-C				MODELS: M268-D			
				4/82 PN thru 10/83 WO	11/83 XO thru 8/86 US	9/86 VS thru 6/91	7/91 thru Current	4/82 PN thru 10/83 WO	11/83 XO thru 8/86 US	9/86 VS thru 6/91	7/91 thru Current	4/82 PN thru 10/83 WO	11/83 XO thru 8/86 US	9/86 VS thru 6/91	7/91 thru Current	4/82 PN thru 10/83 WO	11/83 XO thru 8/86 US	9/86 VS thru 6/91	7/91 thru Current
1	Case & Switch Asm "130/260"	1	3	267047	267047	004739	004739	267047	267047	004739	004739	267047	267047	004739	004739				
2	• Handle	1		267032	267032	267032	267032	267032	267032	267032	267032	267032	267032	267032	267032				
3	Case-Mach "137/267/268"	1	3	267016	267016	004610	004610	267016	267016	004610	004610	267016	267016	004610	004610				
4	• Gasket, Case/Cover	1		267007	267007	267007	267007	267007	267007	267007	267007	267007	267007	267007	267007				
5	Relay Asm 115V/G5	1		002474	002474	002474	002474	147135	147135	147135	147135	147135	147135	147135	147135				
6	• Wire Pkg (2) Wires	1		267014	267014	267014	267014	267014	267014	267014	267014	267014	267014	267014	267014				
7	Housing, Mtr & Str 115V/1Ph GE	1	1,2	002475	002475	002475	002475	002476	002476	002476	002476	002476	002476	002476	002476				
	Housing, Mtr & Str 115V/1Ph EMD	1	1,2	004003	004003	004003	004003	005534	005534	005534	005534	005534	005534	005534	005534				
8	Cord Term & Seal Asm 115V	1	3,4	267033	267033	094071	094071	267034	267034	094072	094072	267034	267034	094072	094072				
9	• Seal, Cord-Asm & Strain Relief	1	3	094032	094032	094032	094032	094032	094032	094032	094032	094032	094032	094032	094032				
10	Bearing, Upper Rotor	1		034052	034052	NA	NA	034052	034052	NA	NA	034052	034052	NA	NA				
11	• Guard	1		267008	267008	267008	267008	267008	267008	267008	267008	267008	267008	267008	267008				
12	• Arm & Seal Asm "130/260"	1	3	267018	267018	004741	004741	267018	267018	004741	004741	267018	267018	004741	004741				
13	Switch Asm "130/260"	1	3	267015	267015	004740	004740	267015	267015	004740	004740	267015	267015	004740	004740				
▫	Lead Wire (Gray)	1		002227	002227	NA	NA	002227	002227	NA	NA	002227	002227	NA	NA				
14	Float-Polypropylene	1		034019	034019	034019	034019	034019	034019	034019	034019	034019	034019	034019	034019				
15	Rod, Float	1		147047	147047	147047	147047	147047	147047	147047	147047	147047	147047	147047	147047				
16	Rotor Asm 115/230V/1Ph GE	1	2	267005	267005	267005	267005	267005	267005	267005	267005	267005	267005	267005	267005				
	Rotor Asm 115/230V/1Ph EMD	1	2	004021	004021	004021	004021	004021	004021	004021	004021	004021	004021	004021	004021				
17	• Seal, Mtr Hsg	1		267006	267006	267006	267006	267006	267006	267006	267006	267006	267006	267006	267006				
18	• Washer, Trst-Nyl.875X.504X.050"	1		002140	002140	002140	002140	002140	002140	002140	002140	002140	002140	002140	002140				
19	Housing, Pump-Mach "268"	1		003429	003883	003883	003883	003429	003883	003883	003883	003429	003883	003883	003883				
20	• Seal Asm, Shaft-Blister Pak	1		267027	267027	267027	267027	267027	267027	267027	267027	267027	267027	267027	267027				
21	Impeller "267/268"	1		267029	003884	003884	006224	267029	003884	003884	006224	267029	003884	003884	006224				
22	Base-Mach "267/268"	1		003431	008646	008646	008646	003431	008646	008646	008646	003431	008646	008646	008646				
23	Guide Asm, Flt Rod	1		094048	094048	004676	004676	094048	094048	004676	004676	094048	094048	004676	004676				
24	Bearing, Sleeve-Lower Rotor	1		054024	NA	NA	NA	054024	NA	NA	NA	054024	NA	NA	NA				
25	• Oil, Dielectric (24.5 Oz Can)	1		267056	267056	267056	267056	267056	267056	267056	267056	267056	267056	267056	267056				
26	• Seal, Thru Wall Term	3		003402	003402	003402	003402	003402	003402	003402	003402	003402	003402	003402	003402				
27	• Plug, Test-White	2	4	034090	034090	034090	034090	034090	034090	034090	034090	034090	034090	034090	034090				
28	• Clamp, Strain Relief-Red	1		001770	001770	001770	001770	001770	001770	001770	001770	001770	001770	001770	001770				
29	• Screw, .25-20 X .75 HHm-SS	9		001916	001916	001916	001916	001916	001916	001916	001916	001916	001916	001916	001916				
30	• Screw, #10-24 X.375 RHM-SI SS	3		001883	001883	001883	001883	001883	001883	001883	001883	001883	001883	001883	001883				
31	• Screw, #6-32x.438RhsItlp"1"Stlzi	2		001877	001877	004644	004644	001877	001877	004644	004644	001877	001877	004644	004644				
32	• Screw, #6-32x.25RHM SI Tc Stlgr	3		001877	001877	001877	001877	001877	001877	001877	001877	001877	001877	001877	001877				
33	• Screw, .25-20 X .875 HH SS	4		012491	012491	012491	012491	012491	012491	012491	012491	012491	012491	012491	012491				
▫	Rebuild Kit			267059	267059	004743	004743	267059	267059	004743	004743	267059	267059	004743	004743				

• Items included in Rebuild Kit.

▫ Not shown in illustration.

## NOTES:

- 1) Mtr. Hsg., Brg., Stator & Term (Item 7) are preassembled at the factory and must be replaced as a unit. Stator is permanently attached to the Motor Housing. Plug (Item 27); Seal, Thru Wall Term. (Item 26) and Bearing - Upper (Item 10) are replaceable.
- 2) When ordering Motor Housing, Bearing, Stator and Term. (Item 7) or Rotor (Item 16) specify either GE or Emerson motor. GE motor can be identified by (4) half oval slots spaced at 90° around the outside diameter of the stator. Emerson motor can be identified by (2) half oval slots spaced at 180° around the outside diameter of the stator.
- 3) When ordering these parts, customer must identify if switch is a General Electric switch.
- 4) If an "X" follows Model No., or Date Mfg. on brass ID tag, consult factory for ordering any parts.
- 5) See FM0160 Parts Price Sheet for listing of parts prices.
- 6) "NA" indicates, not applicable.

## DATE CODE OF MANUFACTURE FROM 12/70 to 12/88

1st LETTER MONTH		2nd LETTER YEAR			
M --- JAN.	T --- JULY	A --- 1971	G --- 1977	O --- 1983	
N --- FEB.	U --- AUG.	B --- 1972	H --- 1978	P --- 1984	
O --- MARCH	V --- SEPT.	C --- 1973	I --- 1979	R --- 1985	
P --- APRIL	W --- OCT.	D --- 1974	J --- 1980	S --- 1986	
R --- MAY	X --- NOV.	E --- 1975	M --- 1981	T --- 1987	
S --- JUNE	Y --- DEC.	F --- 1976	N --- 1982	U --- 1988	

**NOTE:** Four digit (MMYY) date of mfg. used after June, 1988.  
IE: MMYY = 0192 = Jan. 1992.

# REPLACEMENT PARTS LIST FOR MODELS "N268" & "E268"

See back page for "N268" & "E268" illustration.

REF. NO.	DESCRIPTION	QTY	NOTES	MODELS: N268-A				MODELS: N268-B				MODELS: N268-C				MODELS: N268-D			
				4/82 PN thru 10/83 WO	11/83 XO thru 8/86 US	9/86 VS thru 6/91	7/91 thru Current	4/82 PN thru 10/83 WO	11/83 XO thru 8/86 US	9/86 VS thru 6/91	7/91 thru Current	4/82 PN thru 10/83 WO	11/83 XO thru 8/86 US	9/86 VS thru 6/91	7/91 thru Current	4/82 PN thru 10/83 WO	11/83 XO thru 8/86 US	9/86 VS thru 6/91	7/91 thru Current
1	Cover & Handle Asm	1		267051	267051	267051	267051	267051	267051	267051	267051	267051	267051	267051	267051	267051	267051		
2	• Handle	1		267032	267032	267032	267032	267032	267032	267032	267032	267032	267032	267032	267032	267032	267032		
3	Cover-Mach	1		267052	267052	267052	267052	267052	267052	267052	267052	267052	267052	267052	267052	267052	267052		
4	Retainer, HdI-Na	1		267053	267053	267053	267053	267053	267053	267053	267053	267053	267053	267053	267053	267053	267053		
5	• Gasket, Case/Cover	1		267007	267007	267007	267007	267007	267007	267007	267007	267007	267007	267007	267007	267007	267007		
6	Relay Asm 115V/G5	1		002474	002474	002474	002474	002474	002474	002474	002474	002474	002474	002474	002474	002474	002474		
7	• Wire Pkg (2) Wires	1		267014	267014	267014	267014	267014	267014	267014	267014	267014	267014	267014	267014	267014	267014		
8	Housing, Mtr & Str 115V/1Ph GE	1	1,2	002475	002475	002475	002475	002475	002475	002475	002475	002475	002475	002475	002475	002475	002475		
	Housing, Mtr & Str 115V/1Ph EMD	1	1,2	004003	004003	004003	004003	004003	004003	004003	004003	004003	004003	004003	004003	004003	004003		
9	Cord Term & Seal 15/115V	1	3	003617	003617	003617	003617	003617	003617	003617	003617	003617	003617	003617	003617	003617	003617		
10	• Seal, Cord-Asm & Strain Relief	1	3	094032	094032	094032	094032	094032	094032	094032	094032	094032	094032	094032	094032	094032	094032		
11	Bearing, Upper Rotor	1		034052	034052	NA	NA	034052	034052	NA	NA	034052	034052	NA	NA	034052	034052		
12	Rotor Asm 115/230V/1Ph GE	1	2	267005	267005	267005	267005	267005	267005	267005	267005	267005	267005	267005	267005	267005	267005		
	Rotor Asm 115/230V/1Ph EMD	1	2	004021	004021	004021	004021	004021	004021	004021	004021	004021	004021	004021	004021	004021	004021		
13	• Seal, Mtr Hsg	1		267006	267006	267006	267006	267006	267006	267006	267006	267006	267006	267006	267006	267006	267006		
14	• Washer, Trst-Nyl.875X.504X.050"	1		002140	002140	002140	002140	002140	002140	002140	002140	002140	002140	002140	002140	002140	002140		
15	Housing, Pump-Mach "268"	1		003429	003883	003883	003883	003429	003883	003883	003883	003429	003883	003883	003883	003883	003883		
16	Bearing, Sleeve-Lower Rotor	1		054024	NA	NA	NA	054024	NA	NA	NA	054024	NA	NA	NA	054024	NA		
17	• Oil, Dielectric (24.5 Oz Can)	1		267056	267056	267056	267056	267056	267056	267056	267056	267056	267056	267056	267056	267056	267056		
18	• Seal Asm,Shaft-Blister Pak	1		267027	267027	267027	267027	267027	267027	267027	267027	267027	267027	267027	267027	267027	267027		
19	Impeller "267/268"	1		267029	003884	003884	006224	267029	003884	003884	006224	267029	003884	003884	006224	267029	003884		
20	Base-Mach "267/268"	1		003431	008646	008646	008646	003431	008646	008646	008646	003431	008646	008646	008646	008646	008646		
21	• Seal, Thru Wall Term	3		003402	003402	003402	003402	003402	003402	003402	003402	003402	003402	003402	003402	003402	003402		
22	• Plug, Test-White	2	3	034090	034090	034090	034090	034090	034090	034090	034090	034090	034090	034090	034090	034090	034090		
23	• Clamp, Strain Relief-Red	1		001770	001770	001770	001770	001770	001770	001770	001770	001770	001770	001770	001770	001770	001770		
24	• Screw, .25-20 X .75 HHm-SS	13		001916	001916	001916	001916	001916	001916	001916	001916	001916	001916	001916	001916	001916	001916		
25	• Screw, #10-24 X.375 RHM-SI SS	3		001883	001883	001883	001883	001883	001883	001883	001883	001883	001883	001883	001883	001883	001883		
26	• Screw, #6-32x.25RHM SI Tc Slgr	3		001877	001877	001877	001877	001877	001877	001877	001877	001877	001877	001877	001877	001877	001877		
27	• Screw, .25-20 X .875 HH SS	4		012491	012491	012491	012491	012491	012491	012491	012491	012491	012491	012491	012491	012491	012491		
□	Rebuild Kit "130/260"			267059	267059	004743	004743	267059	267059	004743	004743	267059	267059	004743	004743	267059	267059		

• Items included in Rebuild Kit.

□ Not shown in illustration.

## NOTES:

- 1) Mtr. Hsg., Brg., Stator & Term (Item 8) are preassembled at the factory and must be replaced as a unit. Stator is permanently attached to the Motor Housing. Plug (Item 22); Seal, Thru Wall Term. (Item 21) and Bearing - Upper (Item 11) are replaceable.
- 2) When ordering Motor Housing, Bearing, Stator and Term. (Item 8) or Rotor (Item 12) specify either GE or Emerson motor. GE motor can be identified by (4) half oval slots spaced at 90° around the outside diameter of the stator. Emerson motor can be identified by (2) half oval slots spaced at 180° around the outside diameter of the stator.
- 3) If an "X" follows Model No., or Date Mfg. on brass ID tag, consult factory for ordering any parts.
- 4) See FM0160 Parts Price Sheet for listing of parts prices.
- 5) "NA" indicates, not applicable.



MAIL TO: P.O. BOX 16347  
 Louisville, KY 40256-0347  
 SHIP TO: 3649 Cane Run Road  
 Louisville, KY 40211-1961  
 (502) 778-2731 • 1 (800) 928-PUMP  
 FAX (502) 774-3624

Manufacturers of..

"QUALITY PUMPS SINCE 1939"

