



Product information presented here reflects conditions at time of publication. Consult factory regarding discrepancies or inconsistencies.

MAIL TO: P.O. BOX 16347 • Louisville, KY 40256-0347  
SHIP TO: 3649 Cane Run Road • Louisville, KY 40211-1961  
(502) 778-2731 • 1 (800) 928-PUMP • FAX (502) 774-3624

visit our web site:  
<http://www.zoeller.com>

## REPLACEMENT PARTS LIST FOR MODELS:

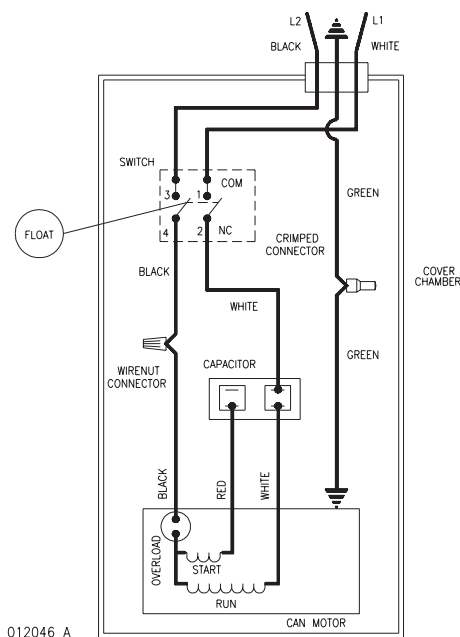
**M211 AUTOMATIC 115V**  
**N211 NONAUTOMATIC 115V**

Consult factory for all other models

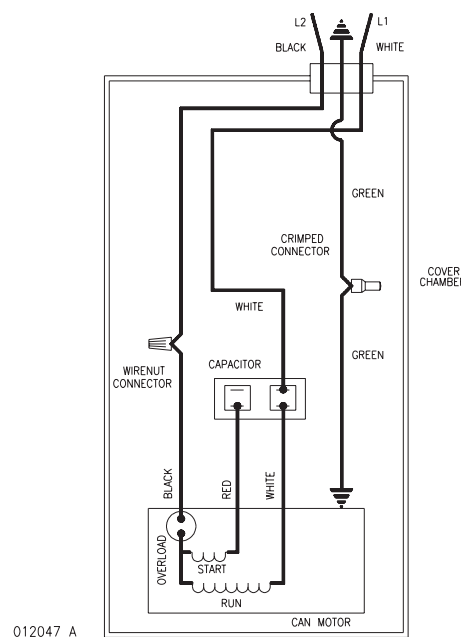
### ***TO ORDER REPLACEMENT PARTS:***

#### **PLEASE FURNISH THE FOLLOWING INFORMATION:**

- Model Number.
- Part Number of Pump.
- Part Number and Description of part.



WIRING DIAGRAM FOR MODEL  
M211  
06/01 THRU CURRENT

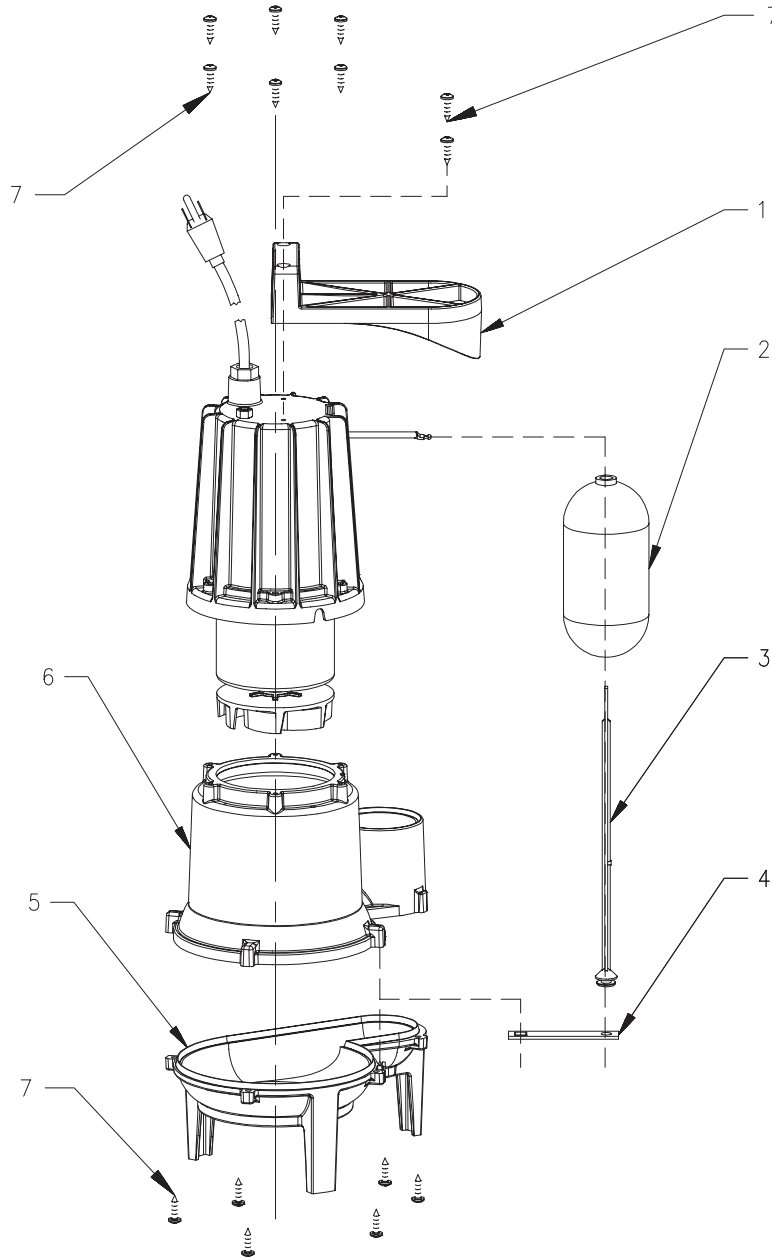


WIRING DIAGRAM FOR MODEL  
N211  
06/01 THRU CURRENT

## REPLACEMENT PARTS LIST FOR MODELS: "M211" and "N211"

MODEL: M211			Rev. A
REF. NO.	DESCRIPTION	QTY	06/01 thru Current
1	Guard/Handle	1	012029
2	Float-Polypropylene	1	034019
3	Float-Rod	1	006215
4	Guide	1	014749
5	Base	1	013444
6	Pump Housing	1	013443
7	Screw	14	012042

MODEL: N211			Rev. A
REF. NO.	DESCRIPTION	QTY	06/01 thru Current
1	Handle	1	012030
2	N/A	N/A	N/A
3	N/A	N/A	N/A
4	N/A	N/A	N/A
5	Base	1	013444
6	Pump Housing	1	013443
7	Screw	14	012042



SK2161



<http://www.zoeller.com>

**ZOELLER**  
PUMP CO.

MAIL TO: P.O. BOX 16347  
Louisville, KY 40256-0347  
SHIP TO: 3649 Cane Run Road  
Louisville, KY 40211-1961  
(502) 778-2731 • 1 (800) 928-PUMP  
FAX (502) 774-3624

Manufacturers of . .

*"Quality Pumps Since 1939"*