



Product information presented here reflects conditions at time of publication. Consult factory regarding discrepancies or inconsistencies.

MAIL TO: P.O. BOX 16347 • Louisville, KY 40256-0347
SHIP TO: 3649 Cane Run Road • Louisville, KY 40211-1961
(502) 778-2731 • 1 (800) 928-PUMP • FAX (502) 774-3624

visit our web site:
www.zoeller.com

REPLACEMENT PARTS LIST FOR MODELS:

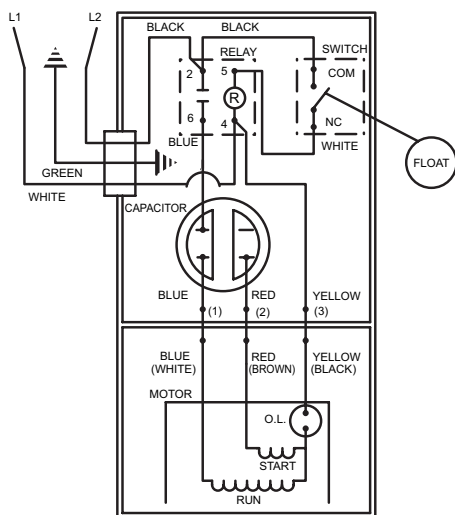
D188 AUTOMATIC 230V
E188 NONAUTOMATIC 230V

Consult factory for all other Models

TO ORDER REPLACEMENT PARTS:

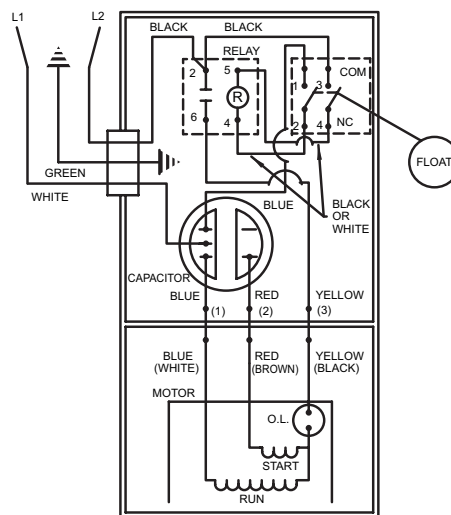
PLEASE FURNISH THE FOLLOWING INFORMATION:

- Model Number.
- Part Number of Pump.
(If manufactured prior to June 1988, give
• 2 letter date code following Model No.)
Part Number and Description of part.



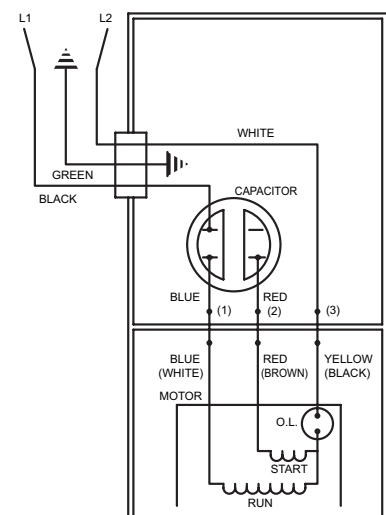
004634

WIRING DIAGRAM FOR MODELS
"D188-A"
2/85 (NR) thru 8/86 (US)



004622

WIRING DIAGRAM FOR MODELS
"D188-B", "D188-C", "D188-D" and "D188-E"
9/86 (VS) thru Current



002397

WIRING DIAGRAM FOR MODELS
"E188" All Revisions
2/85 (NR) thru Current

REPLACEMENT PARTS LIST FOR MODELS "D188"

See back page for "D188" illustration.

REF. NO.	DESCRIPTION	QTY	NOTES	MODELS: D188-A				
				D188-B	D188-C	D188-D	D188-E	
				2/85 NR thru 8/86 US	9/86 VS thru 5/87 RT	6/87 ST thru 7/90	8/90 thru 4/03	5/03 thru Current
1	Case Sw & Cord	1	2,3	004252	004750	004750	004754	014167
2	• Handle	1		217069	217069	217069	217069	217069
3	Cord Term & Seal	1	3	002429	002429	002429	004374	014174
4	Clamp, Strain Relief	1	3	001770	001770	001770	001770	013764
5	• Seal, Cord-Asm & Str Rlf	1	3	094032	094032	094032	004375	015634
6	Case-Mach	1	2,3	004750	004614	004614	004633	014154
7	• Guard	1		001023	001023	001023	001023	001023
8	• Arm & Seal Asm	1	2	002379	004745	004745	004745	004745
9	• Gasket, Case/Cover	1		001011	001011	001011	001011	001011
10	Switch Asm	1	2	004206	004744	004744	004744	004744
11	• Wire Pkg (5) Wires	1		004174	004751	004751	004751	004751
12	Capacitor & Clamp Asm	1		006135	006135	006135	006135	006135
13	Relay	1		217093	217093	217093	217093	217093
14	Float, Plastic	1		094039	094039	094039	094039	094039
15	Guide Asm, Flt Rod	1		001072	001072	001072	001072	001072
16	Rod Asm, Flt	1		003083	003083	003083	003083	003083
17	Housing, Mtr & Str	1	1	004094	004094	004993	004993	004993
18	Bearing, Sleeve	1		001012	001012	001012	001012	001012
19	• Plug, Test-White	2		034090	034090	034090	034090	034090
20	• Seal, Thru Wall Term	3		003402	003402	003402	003402	003402
21	Rotor & Brg	1		004095	004095	004994	004994	004994
22	• Bearing, Radial	1		001013	001013	001013	001013	001013
23	• Seal, Mtr Hsg	1		001014	001014	001014	001014	001014
24	• Oil, Dielectric	1		002383	002383	002383	002383	003168
25	Adapter-Mach	1		001003	001003	001003	001003	001003
26	• Seal, Shaft	1		002430	002430	002430	002430	002430
27	Flange Pkg 2" Npt	1		217024	217024	217024	217024	10-1305
	Flange Pkg 3" Npt	1		317024	317024	317024	317024	10-1306
28	Impeller "188"	1		004203	004203	004203	004203	004203
29	Housing, Pump-Mach	1		004188	004188	004188	004188	004188
30	Strainer Plate	1		137008	137008	137008	137008	137008
31	• Screw, .25-20 X .75 HHm-SS	4		001916	001916	001916	001916	001916
32	• Screw, .313-18 X 1"HH Cap-SS	4		002608	002608	002608	002608	002608
33	• Screw, #10-24 X.375 RHM-SI SS	2		001883	001883	001883	001883	001883
34	• Screw, #6-32X.438Rhtstp"1"Stlzi	2		001877	004644	004644	004644	004644
35	• Sem, 10-24X.375HH-SI Tc.688 Wash	2		002000	002000	002000	002000	002000
36	• Washer, SS-1.25"Odx.562"ldx.078	2		002115	002115	002115	002115	002115
37	• Screw, .5-13 X 2 HH Cap-SS	2		001909	001909	001909	001909	001909
38	• Screw, #6-32X.25RHM SI Tc Stlgr	4		001877	001877	001877	001877	001877
39	• Screw, .25-20 X 1" HHm-SS	4		007790	007790	007790	007790	007790
□	Rebuild Kit			004234	004752	004752	004752	016103

• Items included in Rebuild Kit.

□ Not shown in illustration.

NOTES:

- 1) Mtr. Hsg., Brg., Stator & Term. (Item 17) is preassembled at the factory and must be replaced as a unit. Stator is permanently attached to the Motor Housing. Plug (Item 19); Seal, Thru Wall Term. (Item 20) and Bearing - Upper (Item 18) are replaceable.
- 2) When ordering these parts, customer must identify if switch is a General Electric switch.
- 3) If an "X" follows Model No., or Date Mfg. on brass ID tag, consult factory for ordering of this part.
- 4) See FM0160 Parts Price Sheet for listing of parts prices.
- 5) "NA" indicates, not applicable.

DATE CODE OF MANUFACTURE FROM 12/70 to 12/88

1st LETTER MONTH		2nd LETTER YEAR	
M ---JAN.	T ---JULY	A ---1971	G ---1977
N ---FEB.	U ---AUG.	B ---1972	H ---1978
O ---MARCH	V ---SEPT.	C ---1973	I ---1979
P ---APRIL	W ---OCT.	D ---1974	J ---1980
R ---MAY	X ---NOV.	E ---1975	M ---1981
S ---JUNE	Y ---DEC.	F ---1976	N ---1982
			O ---1983
			P ---1984
			R ---1985
			S ---1986
			T ---1987
			U ---1988

NOTE: Four digit (MMYY) date of mfg. used after June, 1988.
IE: MMYY = 0192 = Jan. 1992

REPLACEMENT PARTS LIST FOR MODELS "E188"

See back page for "E188" illustration.

REF. NO.	DESCRIPTION	QTY	NOTES	MODELS: E188-A				
				E188-B	E188-C	E188-D	E188-E	
				2/85 NR thru 8/86 US	9/86 VS thru 5/87 RT	6/87 ST thru 7/90	8/90 thru 4/03	5/03 thru Current
1	• Handle	1		217069	217069	217069	217069	217069
2	Cord & Cover 230V/1PH	1	2	002401	002401	002401	007912	014163
3	Cord Term & Seal	1	2	002402	002402	002402	007911	014176
4	Clamp, Strain Relief	1	2	001770	001770	001770	001770	013764
5	• Seal, Cord-Asm & Str Rif	1	2	094032	094032	094032	004375	015634
6	Cover-Mach	1	2	001077	001077	001077	004372	014150
7	• Gasket, Case/Cover	1		001011	001011	001011	001011	001011
8	• Wire Pkg (5) Wires	1		004174	004751	004751	004751	004751
9	Capacitor & Clamp Asm	1		006135	006135	006135	006135	006135
10	Housing, Mtr & Str	1	1	004094	004094	004993	004993	004993
11	Bearing, Sleeve	1		001012	001012	001012	001012	001012
12	• Plug, Test-White	2		034090	034090	034090	034090	034090
13	• Seal, Thru Wall Term	3		003402	003402	003402	003402	003402
14	Rotor & Brg	1		004095	004095	004994	004994	004994
15	• Bearing, Radial	1		001013	001013	001013	001013	001013
16	• Seal, Mtr Hsg	1		001014	001014	001014	001014	001014
17	• Oil, Dielectric	1		002383	002383	002383	002383	003168
18	Adapter-Mach	1		001003	001003	001003	001003	001003
19	• Seal, Shaft	1		002430	002430	002430	002430	002430
20	Flange Pkg 2" Npt	1		217024	217024	217024	217024	10-1305
	Flange Pkg 3" Npt	1		317024	317024	317024	317024	10-1306
21	Impeller "188"	1		004203	004203	004203	004203	004203
22	Housing, Pump-Mach	1		004188	004188	004188	004188	004188
23	Strainer Plate	1		137008	137008	137008	137008	137008
24	• Screw, .25-20 X .75 HHm-SS	4		001916	001916	001916	001916	001916
25	• Screw, .313-18 X 1"HH Cap-SS	4		002608	002608	002608	002608	002608
26	• Screw, #10-24 X.375 RHM-SI SS	2		001883	001883	001883	001883	001883
27	• Sem, 10-24X.375HH-SI Tc.688 Wash	2		002000	002000	002000	002000	002000
28	• Screw, .5-13 X 2 HH Cap-SS	2		001909	001909	001909	001909	001909
29	• Washer, SS-1.25"Odx.562"Idx.078	2		002115	002115	002115	002115	002115
30	• Screw, #6-32X.25RHM SI Tc Stlgr	4		001877	001877	001877	001877	001877
31	• Screw, .25-20 X 1" HHm-SS	4		007790	007790	007790	007790	007790
□	Rebuild Kit			004234	004752	004752	004752	014193

• Items included in Rebuild Kit.

□ Not shown in illustration.

NOTES:

- 1) Mtr. Hsg., Brg., Stator & Term. (Item 10) is preassembled at the factory and must be replaced as a unit. Stator is permanently attached to the Motor Housing. Plug (Item 12); Seal, Thru Wall Term. (Item 13) and Bearing - Upper (Item 11) are replaceable.
- 2) If an "X" follows Model No., or Date Mfg. on brass ID tag, consult factory for ordering of this part.
- 3) See FM0160 Parts Price Sheet for listing of parts prices.
- 4) "NA" indicates, not applicable.



www.zoeller.com

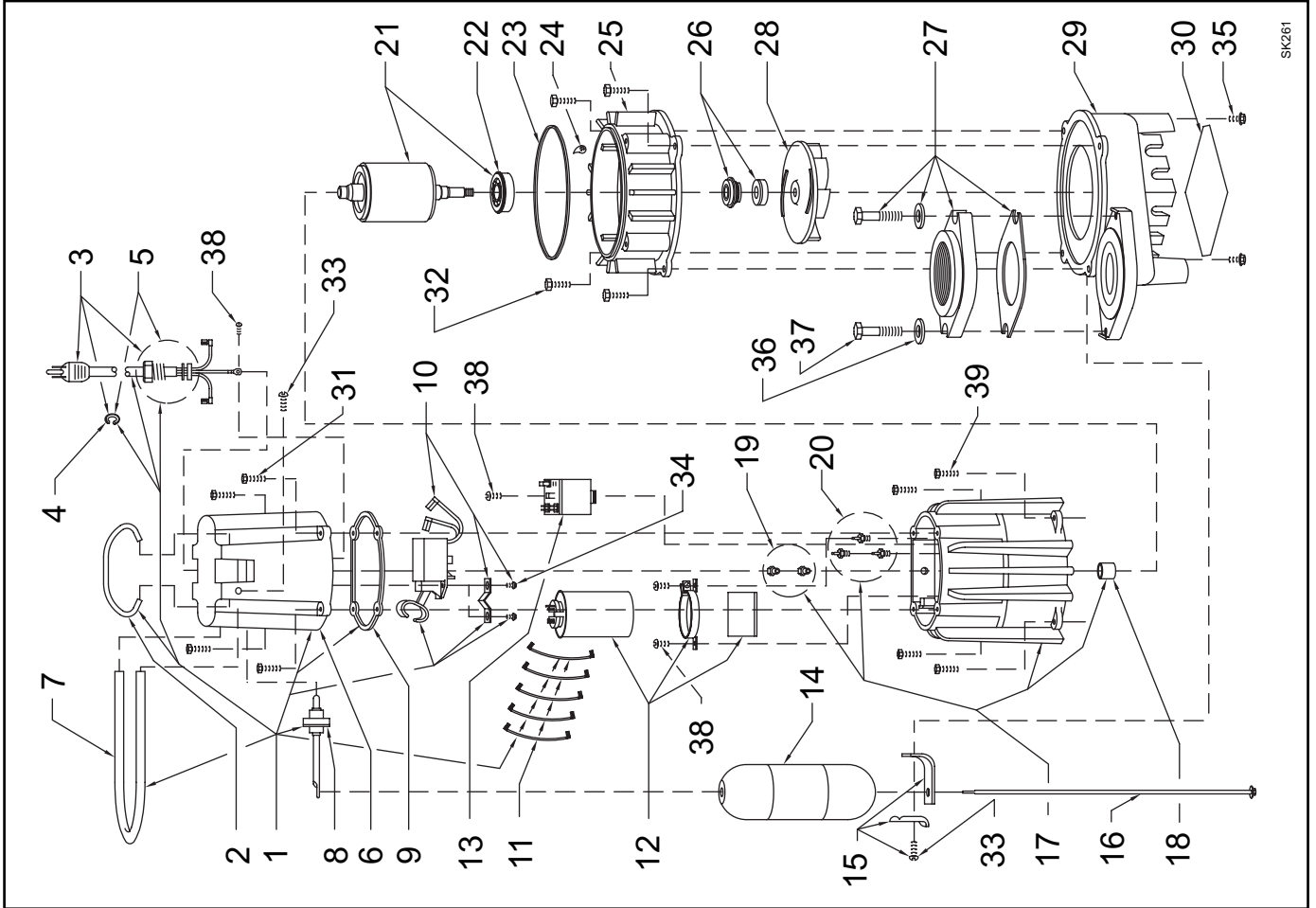
ZOELLER
PUMP CO.

MAIL TO: P.O. BOX 16347
Louisville, KY 40256-0347
SHIP TO: 3649 Cane Run Road
Louisville, KY 40211-1961
(502) 778-2731 • 1 (800) 928-PUMP
FAX (502) 774-3624

Manufacturers of..

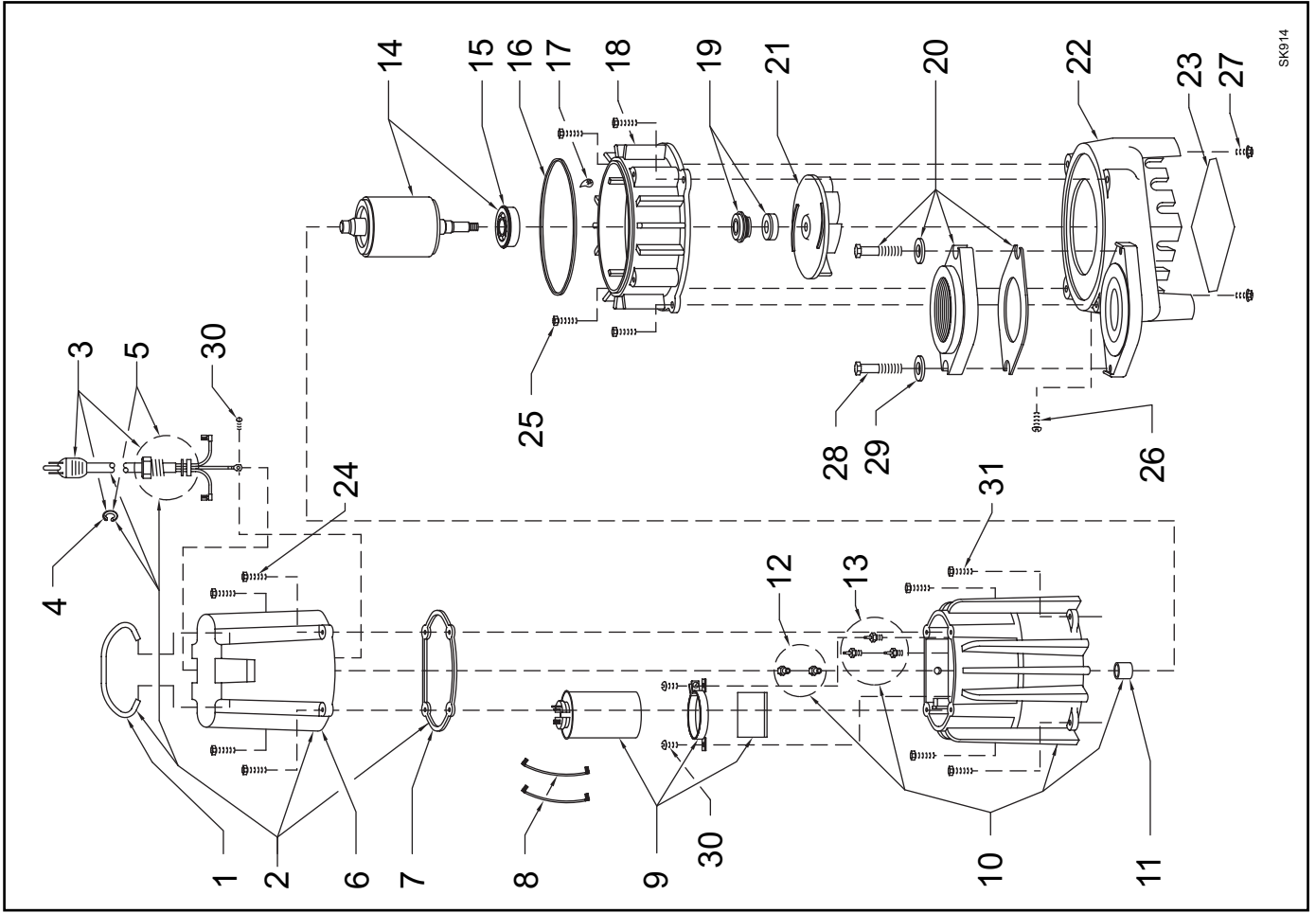
"QUALITY PUMPS SINCE 1939"

REPLACEMENT PARTS ILLUSTRATION FOR MODEL "D188"



SK261

REPLACEMENT PARTS ILLUSTRATION FOR MODEL "E188"



SK914