

This unit offer no anti-siphon or backflow protection.



Freezeless Post Yard Hydrants Model Y30

Post hydrants are intended for use on golf courses, in parks and recreation areas and landscaped areas around buildings.

FEATURES:

ONE PIECE VARIABLE FLOW PLUNGER - Large cushion type seal for longer life - is not easily damaged and assures shut-off even when foreign particles are present. Automatic drain feature - plunger opens drain to prevent freezing.

REPLACEMENT PARTS – Head nut assembly can be removed for ready access to internal parts.

SPECIFICATIONS:

PACKING – EPDM rubber with adjustable packing nut.

VALVE SEAT – Permanent type brass valve body with hemispherical seating surface.

OPERATION – Wheel handle. **Optional:** Tee Key.

FINISH – Brass head casting. **Optional:** Chrome head casting.

FEMALE INLET – 3/4" N.P.T

CASING – 1" Galvanized steel pipe

OPERATING ROD – 3/8" Galvanized steel pipe

DRAIN HOLE – 1/8" N.P.T.

NOZZLE – 3/4" Brass male hose nozzle

MAX PRESSURE – 125 p.s.i.

MAX TEMPERATURE - 120° F

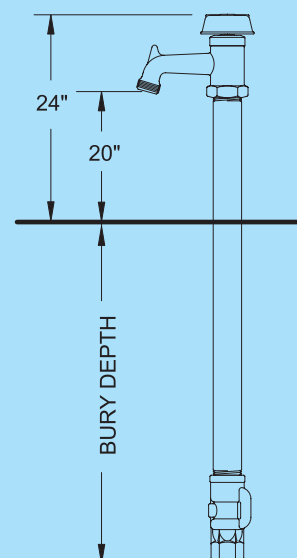
SHIPPING WEIGHT –

Bury Depth (ft)	1	2	3	4	5	6	7*
Weight (lbs)	8	10	13	15	17	19	21

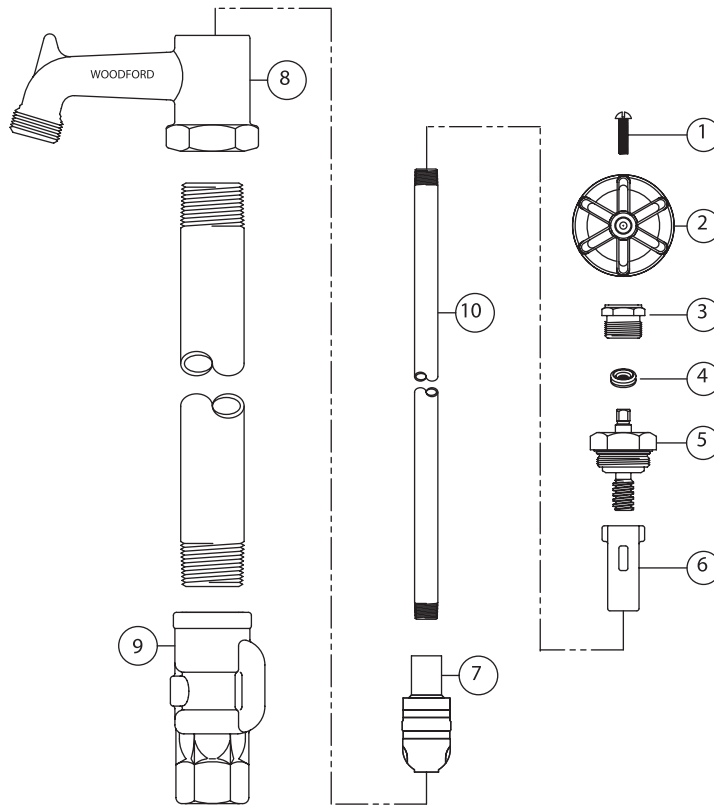
*Must ship by truck line due to length.



Rough-In Dimensions



When ordering, specify model and bury depth.

WOODFORD**MODEL Y30 PARTS LIST**

ITEM	PART#	DESCRIPTION
1	30002	Handle Screw (brass)
	30121	Handle Screw (nickel)
2	50022	Wheel Handle (clear)
	50023	Wheel Handle (brown)
3	30109	Packing Nut (brass)
	30107	Packing Nut (chrome)
4	30247	Packing
5	55179	Head Nut Assembly (chrome)
	55178	Head Nut Assembly (brass)
6	10109	Yoke Nut
7	10105	Plunger
8	50075	Head (brass)
	50076	Head (chrome)
9	10018	Valve Body
10	3/8" OPERATING PIPE (Bury Depth & Length)	
	10033	1' Bury (28-1/8" long)
	10034	2' Bury (40-1/8" long)
	10035	3' Bury (52-1/8" long)
	10036	4' Bury (64-1/8" long)
	10037	5' Bury (76-1/8" long)
	10038	6' Bury (88-1/8" long)
	10579	7' Bury (100-1/8" long)
	RK-70	Repair Kit (Includes Items 1-6)

For more information contact...

WOODFORD MANUFACTURING COMPANY

2121 Waynoka Road, Colorado Springs, Colorado 80915 • Phone: (800) 621-6032 • Fax: (800) 765-4115

To view our complete product line visit: www.woodfordmfg.com or email: sales@woodfordmfg.com

A Division Of WCM Industries, Inc.