

The Model Y2 is an automatic draining, backflow protected, frost proof yard hydrant designed for filling field spray equipment, cleaning tools, lawn and garden care, watering livestock - immediate water flow even in sub zero temperatures.

Features:

Hose Connection Backflow Preventer –

- NIDEL® Model 37HF with ¾ inch male hose thread
- ASSE Standard 1052 approved
- IAPMO® listed
- Field Testable
- Two check valves

- **Automatic Draining** - Hydrant drains when shut off, even with hose attached.
- **Adjustable Link** - Provides easy and positive adjustment of the lever lock tension.
- **Rod Guide** - Eliminates side pull on rod, reduces wear on packing, packing nut & stem.
- **Flow Finder with Lock** - A simple cam that can be set to automatically obtain the same flow each time or lock against accidental opening.
- **Long Life Packing** - Graphite packing for lubricity and long life.
- **One Piece Variable Flow Plunger** - Large cushion type seal for longer life - is not easily damaged and assures shut-off even when foreign particles are present. Automatic drain feature - plunger opens drain to prevent freezing - closes at any flow to prevent wasting water.
- **Air Vent** - Automatically drains the hydrant even with attached hose. (Patent Pending)
- **Maximum Working Pressure:** 125 p.s.i.
- **Maximum Temperature:** 120° F

Specifications:

Female Inlet: 1" N.P.T.

Casing: 1¼" Galvanized Steel Pipe

Operating Rod: ⅝" Galvanized Steel Pipe

Drain Hole: Tapped - ⅛" N.P.T.

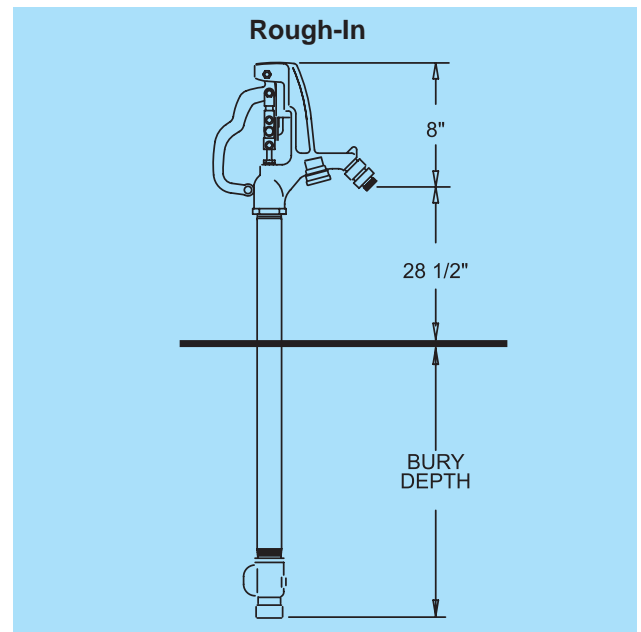
SHIPPING WEIGHT

Bury Depth (Ft)	1	2	3	4	5	6*	7*
Weight (Lbs)	18	20	22	25	28	31	34

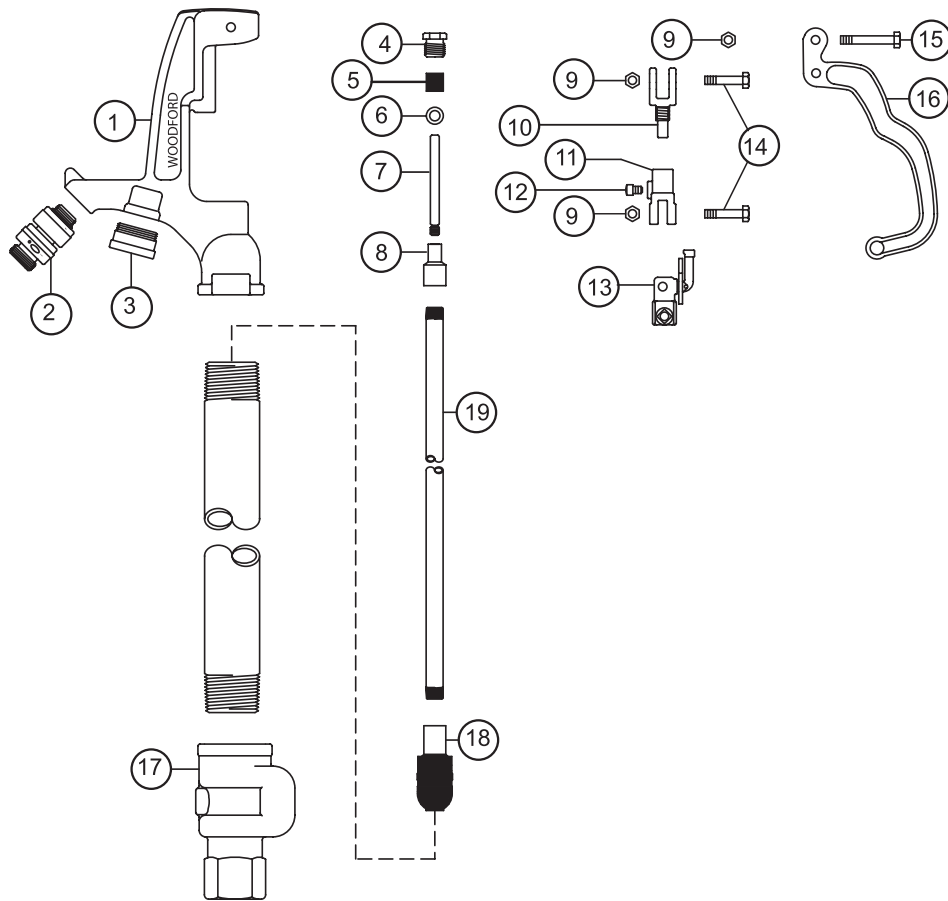
*Must ship by truck line due to length.

Backflow Protected Automatic Draining Freezeless Yard Hydrant Model Y2

WOODFORD



When ordering, specify model and bury depth.

WOODFORD

MODEL Y2 PARTS LIST

ITEM	PART#	DESCRIPTION	ITEM	PART#	DESCRIPTION
	15239	Y2 Head Assembly (Includes Items 1-16)	19	Y2 OPERATING PIPE (Bury Depth & Length)	
1	15539	Y2 Head		10023	1' Bury (35 1/2" Long)
2	55053	37HF Backflow Preventer		10024	2' Bury (47 1/2" Long)
3	15238	Diverter Assembly		10025	3' Bury (59 1/2" Long)
4	10100	Packing Nut		10026	4' Bury (71 1/2" Long)
5	10101	Packing		10027	5' Bury (83 1/2" Long)
6	10102	Packing Support Washer		10028	6' Bury (95 1/2" Long)
7	10104	Brass Rod Stem		10029	7' Bury (107 1/2" Long)
8	10011	Reducing Coupling		RK-Y1	Repair Kit (Includes Items 4-7 & 18)
9	10206	Hex Nut (3)		RK-YHL	Repair Kit (Includes Items 9-15)
10	10009	Upper Link			
11	15007	Lower Link (Includes Item 12)			
12	10019	Set Screw			
13	15008	Cam & Clevis Assembly			
14	10020	Link Bolt (2)			
15	10021	Lever Bolt			
16	10008	Lever			
17	10017	Valve Body (1" NPT Inlet)			
18	10106	Y1 Plunger			

For more information contact...

WOODFORD MANUFACTURING COMPANY

2121 Waynoka Road, Colorado Springs, Colorado 80915 • Phone: (800) 621-6032 • Fax: (800) 765-4115

To view our complete product line visit: www.woodfordmfg.com or email: sales@woodfordmfg.com

A Division Of WCM Industries, Inc.