



Freezeless UTILITY Yard Hydrants

U150 - 1½" FPT Inlet

U200 - 2" FPT Inlet

Woodford Utility Yard Hydrants are designed for use where year-round availability of water is required. Sturdy construction make these hydrants rugged and dependable. Accidental damage and vandalism are minimized. Hydrants are available with choice of manual close lever handle or wheel handle.

SUGGESTED USES:

Auxiliary fire fighting; filling fire-pond reservoirs; main shut-off hydrant for irrigation systems; to connect to 3HP contractor pumps where a permanent outlet is required.

Features:

- Automatic draining occurs when hydrant is shut off to prevent freezing.
- Outlet can be located at any height above ground level. Adjust bury depth accordingly.
- All working parts are removable through the top of the hydrant.
- Lever handles can be easily removed to prevent unauthorized usage.

Specifications:

INLET: Model U150: 1½" Brass Valve Body, FPT
Model U200: 2" Brass Valve Body, FPT

OUTLET: Model U150: 1½" FPT Galvanized Tee
Model U200: 2" FPT Galvanized Tee

HANDLES: Almag casting Lever Handle, Wheel Handle (see descriptions below)

(M) Manual closing lever handle should be installed where water is continuously used over a period of time.

(W) Wheel Handle to be operated in the **full open** position only.

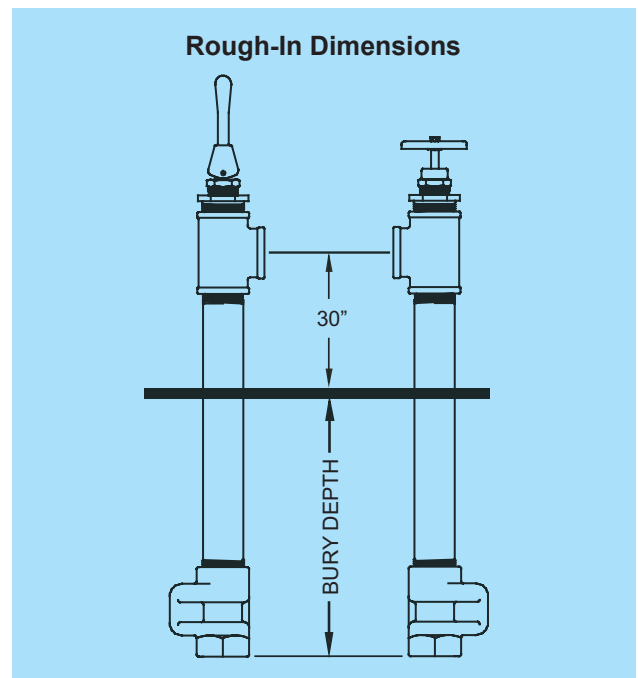
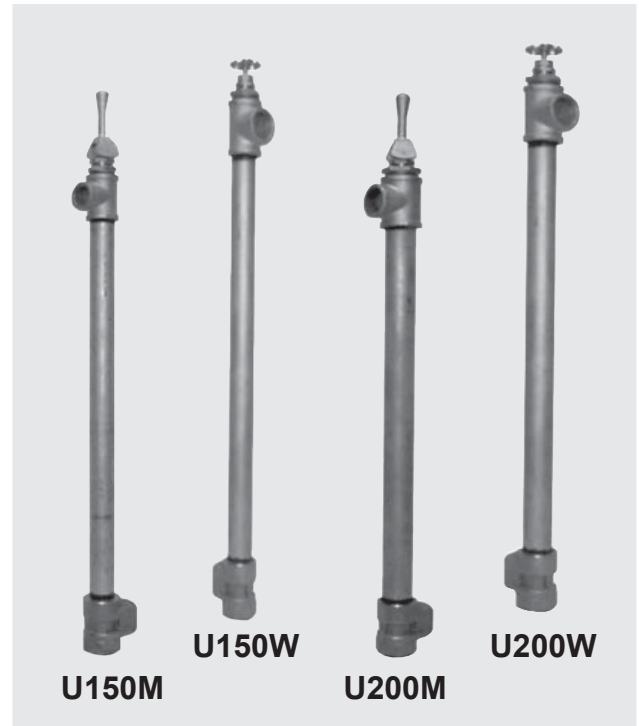
OPERATING ROD: ¼" galvanized pipe

CASING: Model U150: 1½" galvanized pipe
Model U200: 2" galvanized pipe

MAX. PRESSURE: U150W – 125 PSI
U150M – 125 PSI
U200W – 125 PSI
U200M – 100 PSI

SHIPPING WEIGHT

| Bury Depth (Ft) | 1 | 2 | 3 | 4 | 5 | 6 | 7 |
|-------------------|----|----|----|----|----|----|----|
| Weight U150 (Lbs) | 20 | 23 | 26 | 29 | 32 | 36 | 39 |
| Weight U200 (Lbs) | 25 | 29 | 33 | 37 | 41 | 45 | 49 |

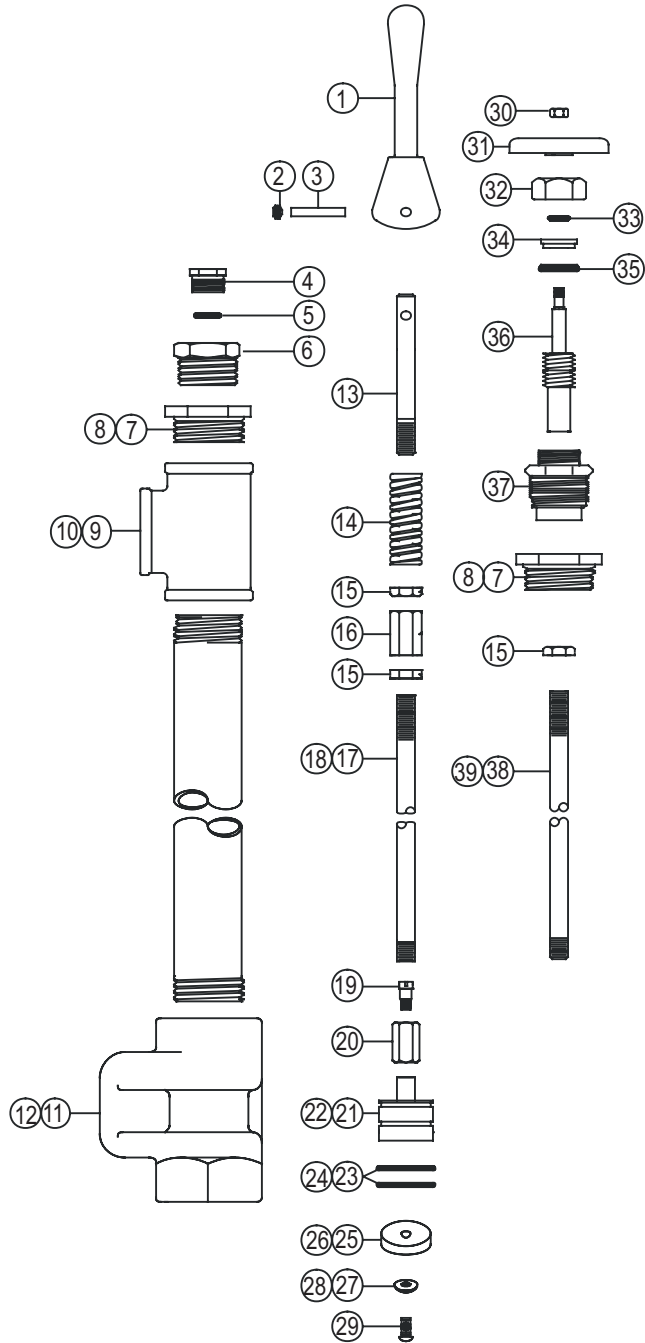


WOODFORD



MODEL U150 & U200 PARTS LIST

| ITEM | PART# | DESCRIPTION |
|------|--|--|
| 1 | 41025 | MANUAL CLOSE HANDLE |
| 2 | 41201 | SET SCREW |
| 3 | 41202 | HANDLE PIN |
| 4 | 41029 | PACKING NUT |
| 5 | 41014 | O-RING |
| 6 | 41067 | BONNET NUT |
| 7 | 41082 | 1 1/2" X 1 1/4" REDUCING PIPE BUSHING (U150) |
| 8 | 41094 | 2" X 1 1/4" REDUCING PIPE BUSHING (U200) |
| 9 | 41084 | 1 1/2" NPT TEE (U150) |
| 10 | 41095 | 2" NPT TEE (U200) |
| 11 | 41086 | 1 1/2" VALVE BODY (U150) |
| 12 | 41097 | 2" VALVE BODY (U200) |
| 13 | 41632 | STEM |
| 14 | 41102 | SPRING |
| 15 | 41624 | 1/4" NPSM LOCKNUT |
| 16 | 41631 | COUPLING |
| 17 | U150 OPERATING ROD (MANUAL CLOSE HANDLE) | |
| | 42127 | 1 FT. BURY (37 9/16" LONG) |
| | 42113 | 2 FT. BURY (49 9/16" LONG) |
| | 42114 | 3 FT. BURY (61 9/16" LONG) |
| | 52115 | 4 FT. BURY (73 9/16" LONG) |
| | 52116 | 5 FT. BURY (85 9/16" LONG) |
| | 42117 | 6 FT. BURY (97 9/16" LONG) |
| | 42118 | 7 FT. BURY (109 9/16" LONG) |
| 18 | U200 OPERATING ROD (MANUAL CLOSE HANDLE) | |
| | 42177 | 1 FT. BURY (37 13/16" LONG) |
| | 42178 | 2 FT. BURY (49 13/16" LONG) |
| | 42179 | 3 FT. BURY (61 13/16" LONG) |
| | 42180 | 4 FT. BURY (73 13/16" LONG) |
| | 42181 | 5 FT. BURY (85 13/16" LONG) |
| | 42182 | 6 FT. BURY (97 13/16" LONG) |
| | 42183 | 7 FT. BURY (109 13/16" LONG) |
| 19 | 41013 | SWIVEL SCREW |
| 20 | 41012 | SWIVEL COUPLING |
| 21 | 41078 | PLUNGER (U150) |
| 22 | 41089 | PLUNGER (U200) |
| 23 | 41079 | O-RING (2-REQ'D) (U150) |
| 24 | 41090 | O-RING (2-REQ'D) (U200) |
| 25 | 41080 | RUBBER SEAT WASHER (U150) |
| 26 | 41091 | RUBBER SEAT WASHER (U200) |
| 27 | 41081 | BRASS WASHER (U150) |
| 28 | 41092 | BRASS WASHER (U150) |
| 29 | 41059 | SCREW |
| 30 | 10206 | 5/16" NUT |
| 31 | 41144 | WHEEL HANDLE |
| 32 | 41005 | BONNET NUT |
| 33 | 41215 | O-RING |
| 34 | 41007 | PACKING GLAND |
| 35 | 41056 | O-RING |
| 36 | 41145 | STEM SCREW |
| 37 | 41061 | STUFFING BOX |
| 38 | U150 OPERATING ROD (WHEEL HANDLE) | |
| | 42163 | 1 FT. BURY (39 7/16" LONG) |
| | 42164 | 2 FT. BURY (51 7/16" LONG) |
| | 42165 | 3 FT. BURY (63 7/16" LONG) |
| | 42166 | 4 FT. BURY (75 7/16" LONG) |
| | 42167 | 5 FT. BURY (87 7/16" LONG) |
| | 42168 | 6 FT. BURY (99 7/16" LONG) |
| | 42169 | 7 FT. BURY (111 7/16" LONG) |
| 39 | U200 OPERATING ROD (WHEEL HANDLE) | |
| | 42170 | 1 FT. BURY (40 3/16" LONG) |
| | 42171 | 2 FT. BURY (52 3/16" LONG) |
| | 42172 | 3 FT. BURY (64 3/16" LONG) |
| | 42173 | 4 FT. BURY (76 3/16" LONG) |
| | 42174 | 5 FT. BURY (88 3/16" LONG) |
| | 42175 | 6 FT. BURY (100 3/16" LONG) |
| | 42176 | 7 FT. BURY (112 3/16" LONG) |



| | |
|-------|--|
| 41083 | U150 PLUNGER REPAIR KIT (Includes Items 21, 22, 23, 25, 27, 29, 31) |
| 41093 | U200 PLUNGER REPAIR KIT (Includes Items 21, 22, 24, 26, 28, 30, 31) |

For more information contact...

WOODFORD MANUFACTURING COMPANY

2121 Waynoka Road, Colorado Springs, Colorado 80915 • Phone: (800) 621-6032 • Fax: (800) 765-4115

To view our complete product line visit: www.woodfordmfg.com or email: sales@woodfordmfg.com

A Division Of WCM Industries, Inc.