

The patented Woodford RHY1-MS is intended for irrigation purposes and to provide water availability on commercial building roofs. Applications include window washing, cleaning of condenser coils, cooling towers and other types of roof equipment. The hydrant valve body is drilled and tapped with 1/8" drain hole which must be piped to a drain location.

The RHY1-MS allows for installation flexibility since it is not necessary to install hydrant when hydrant support is mounted to the roof. The hydrant support utilizes a 3" opening that allows the hydrant to be installed later if desired. All necessary mounting hardware for proper installation on a commercial roof is supplied, including a 2 degree shim for pitch adjustment.

Hydrant Features:

- Rod guide eliminates side pull on rod, reduces wear on packing, packing nut & stem.
- Adjustable link for easy adjustment and positive lever lock tension.
- One piece variable flow plunger with large cushion type seal for longer life is not easily damaged and assures shut-off even when foreign particles are present.
- All hydrant repairs can be made from top of unit without removing hydrant. Parts are readily available.

Specifications:

- 3/4" Brass hose nozzle
 - *Optional at Additional Cost:* 1" NPSH brass hose nozzle
- 1" NPT female inlet connection
- 1 1/4" U.S. made galvanized pipe casing
- **Maximum Working Pressure:** 100 p.s.i.
- **Maximum Temperature:** 120° F
- 1/8" NPT Drain hole (*Must be piped to a drain location*)

Mounting System: *(Can be ordered Separately)*

- Cast iron Hydrant Support
- Cast iron Under Deck Flange
 - 4 bolts draw tight against the roof decking and the hydrant support.
 - 3 clamp screws tighten against the hydrant pipe to secure the hydrant's vertical position through the roof.
- Well Seal seals tight between the hydrant support and hydrant pipe.
- EPDM Boot covers well seal and top of hydrant support.
- 2° Shim is supplied, if needed, for installation on pitched roofs.

Manufactured under U.S. patent 7,472,718; 7,730,901 and patents pending.

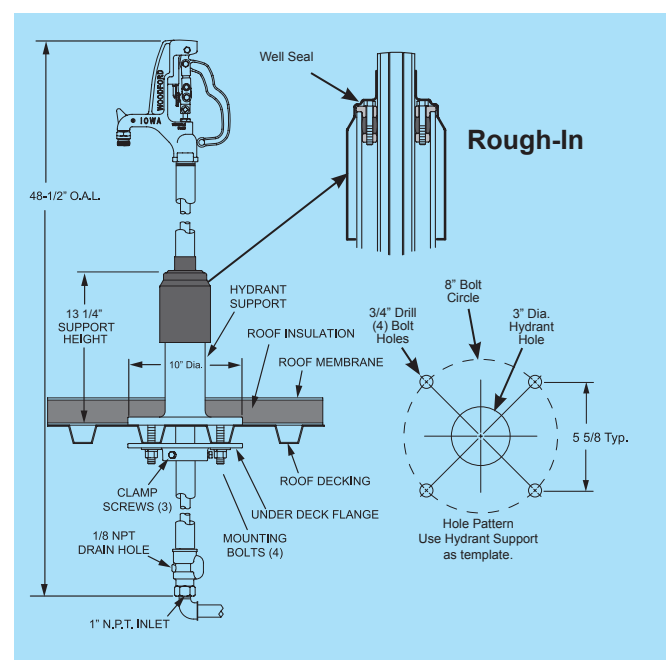
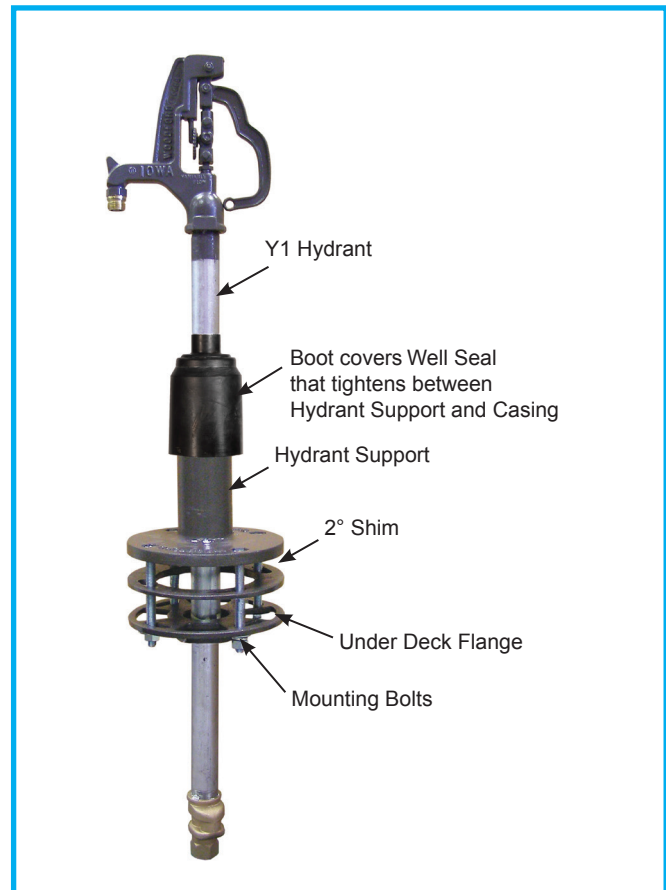
For Installation / Troubleshooting Instructions go to www.woodfordmfg.com or call 1-800-621-6032

Freezeless Roof Hydrant



Model RHY1-MS

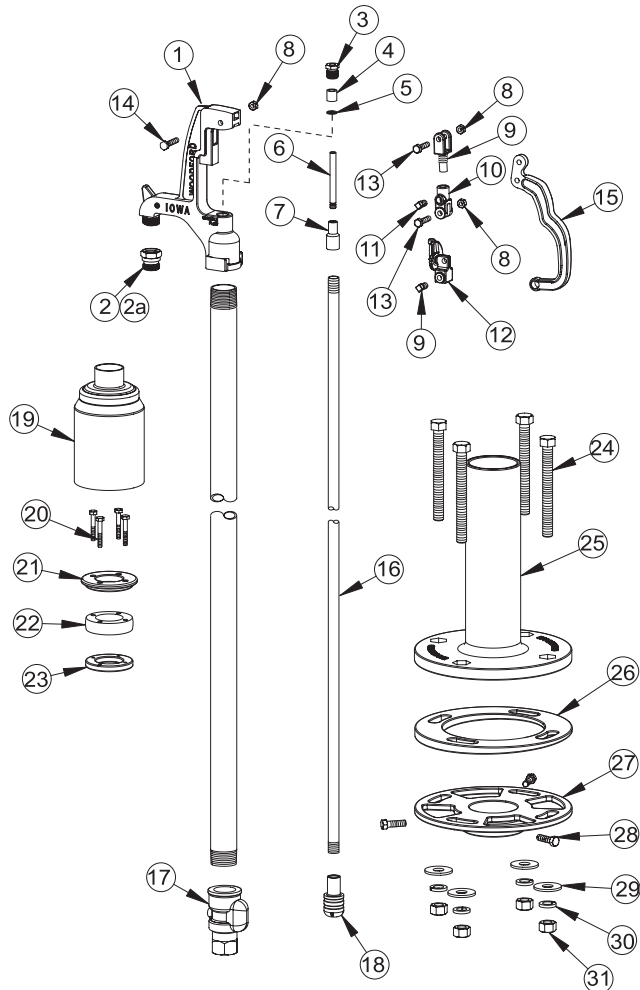
Can be ordered with or without Mounting System (MS).





MODEL RHY1-MS PARTS LIST

ITEM	PART#	DESCRIPTION
	15244	RHY1 Head Assembly (Includes items 1-15)
1	10611	RHY1 Head
2	10004	3/4" Brass Hose Nozzle
2a	10007	1" Brass Hose Nozzle (Optional)
3	10100	Packing Nut
4	10101	Packing
5	10102	Packing Support Washer
6	10104	Brass Rod Stem
7	10011	Reducing Coupling
8	10206	Hex Nut (3)
9	10614	RH Upper Link
10	15242	RH Lower Link (Includes Item 9)
11	10019	Set Screw (2)
12	15243	RH Cam & Clevis Assembly
13	10020	Link Bolt (2)
14	10021	Lever Bolt
15	10613	RH Lever
16	10023	Operating Pipe (35-1/2" Long)
17	10017	Valve Body (1" NPT Inlet)
18	10106	Plunger
19	10608	Boot, EPDM 1 1/4" Pipe
20	10606	Bolt, Hex Head 1/4-20 X 1 3/4" (4)
21	10582	Well Seal, Top
22	10609	Well Seal, EPDM
23	10583	Well Seal, Bottom
24	10584	Bolt, Hex Head 5/8-11 X 6" (4)
25	10579	Hydrant Support, Casting
26	10581	2° Shim, Casting
27	10580	Under Deck Flange
28	10607	Screw, Clamp 3/8-16 Hex Head X 1 3/4" (3)
29	10604	Washer, Plain 5/8 (4)
30	10605	Washer, Lock 5/8 (4)
31	10585	Nut, Hex 5/8-11 UNC (4)
	RK-Y1	Repair Kit (Includes items 3-6 & 18)
	RK-RHL	Repair Kit - Gray (Includes items 8-14)



When ordering, specify RH part number option listed below.

Part# RHY1-MS

Consists of the complete Roof Hydrant system:

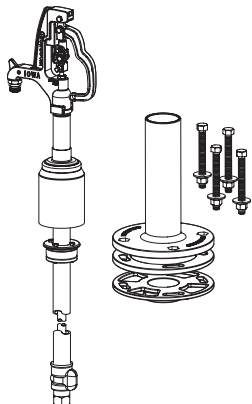
Qty. 1 RHY1

Y1 Hydrant shipped in 1 carton.

Qty. 1 RH-MS

Mounting System shipped in 1 carton.

Total Shipping Wt.
2 cartons: 50 lbs

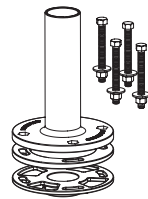


Part# RH-MS

Carton contents consists of:
Mounting System/
Rough-In Components
(Parts 24-31 above)

- Hydrant Support
- 2° Shim,
- Under Deck Flange
- Mounting Bolts.

Shipped in 1 Carton.
Shipping Wt. - 30 lbs



Part# RHY1

Carton contents consists of:

- Y1 Hydrant Assembly (Parts 1-18 above)
- Well Seal (Parts 20-23 above)
- Boot (Part 19 above)

Shipped in 1 Carton.
Shipping Wt. - 20 lbs



For more information contact...

WOODFORD MANUFACTURING COMPANY

2121 Waynoka Road, Colorado Springs, Colorado 80915 • Phone: (800) 621-6032 • Fax: (800) 765-4115

To view our complete product line visit: www.woodfordmfg.com or email: sales@woodfordmfg.com

A Division Of WCM Industries, Inc.