



FOR NON-FREEZING AREAS ONLY.

NEW 360° SWIVEL INLET

The Model 79, B79 and RB79 are backflow protected wall hydrants designed for use in mild climate areas or within temperature controlled buildings. The Model 79 is only 2-5/8" deep and fits inside a stud wall. The B79 fits inside a 4" wall.

SPECIFICATIONS:

HOSE CONNECTION BACKFLOW PREVENTER –

- NIDEL® Model 37HF with 3/4 inch male hose thread
- ASSE Standard 1052 approved
- IAPMO® listed
- Field Testable
- Two check valves

VALVE SEAT – Permanent type brass valve body with hemispherical seating surface.

STEM – Hardened stainless steel stem resists damage.

PACKING – EPDM rubber with adjustable packing nut.

TEE KEY – Loose key operates hydrant.

INLET – 3/4" female pipe thread. Inlet swivels 360° to any position.

MAX PRESSURE – 125 p.s.i.

MAX TEMPERATURE - 120° F

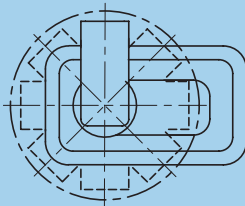
OPTIONS - RK Bracket Kit

SHIPPING WEIGHT – **Model 79:** 3.4 lbs.
Model B79: 10.5 lbs.

Specify as follows:

Wall hydrant shall be Woodford Model 79 (exposed type), B79 or RB79 (concealed box type), with backflow preventer listed by ASSE and IAPMO. 3/4" inlet and outlet. 360° inlet orientation. Hardened stainless steel operating stem. Packing nut secured with lock nut. Permanent type valve body with large hemispherical seating surface. Exterior finish to be Chrome Plated (options: Polished Brass or Rough Brass). Loose tee key to be furnished with each hydrant.

360 Degree Inlet Orientation



WOODFORD



Backflow Protected Close Coupled Trimline Wall Hydrants Model 79/B79/RB79



MODEL 79

Exterior Finish:
Standard - Chrome (CH)
Optional - Brass (BR) Polished Brass (PB)



MODEL B79

Exterior Finish: Square Box & Door
Standard - Chrome (CH)
Optional - Brass (BR) Polished Brass (PB)



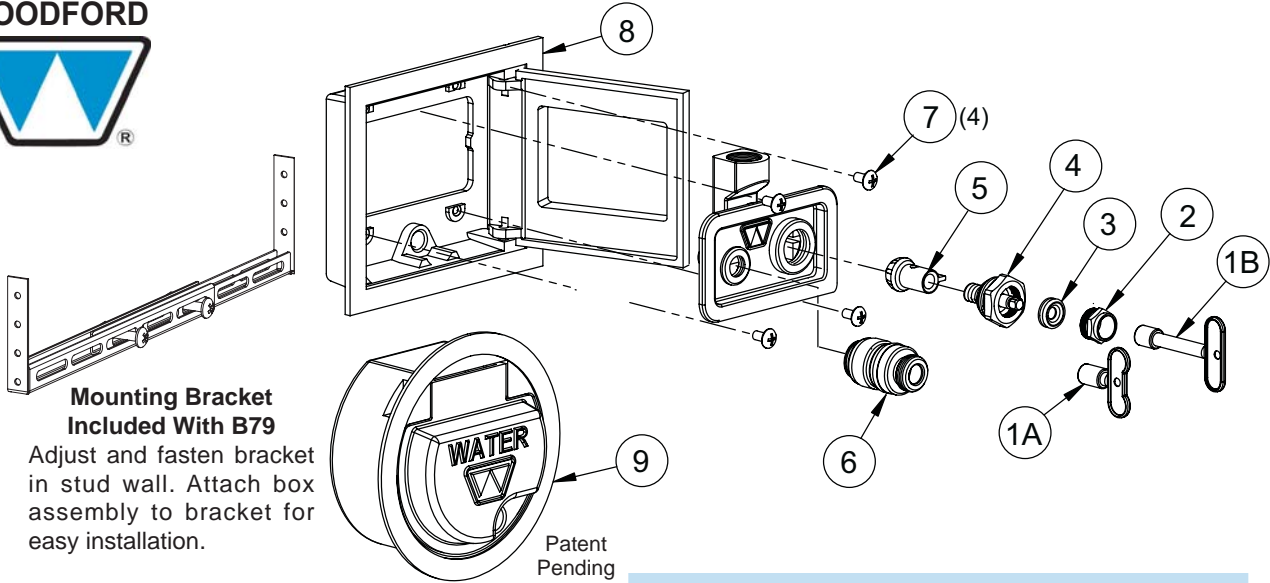
MODEL RB79

Optional Round Box & Door
Exterior Finish: Standard - Chrome (CH)
Fits 6" dia. cored hole.

When ordering, specify model number, and finish.



WOODFORD

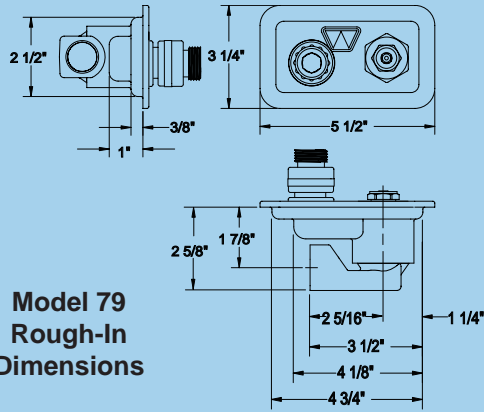


**Mounting Bracket
Included With B79**

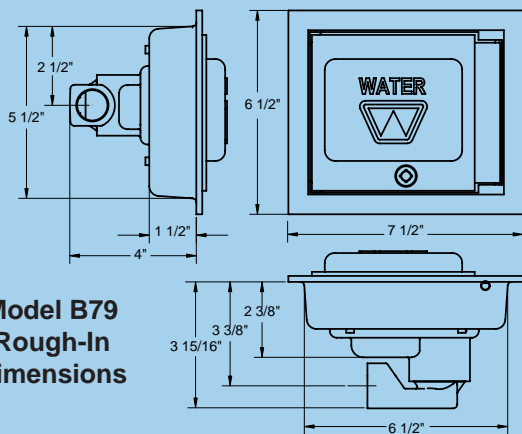
Adjust and fasten bracket in stud wall. Attach box assembly to bracket for easy installation.

MODEL 79/B79/RB79 PARTS LIST

ITEM	PART#	DESCRIPTION
1A	RK-STK	Tee Key
1B	RK-LTK	Long Tee Key (Box Models)
2	30109 30107	Packing Nut - chrome Packing Nut - brass
3	30247	Packing
4	55183 55182	Head Nut Assembly - chrome Head Nut Assembly - brass
5	55105	Yoke Nut & Valve Assembly
6	37HF-CH 37HF-BR	Backflow Preventer - chrome Backflow Preventer - brass
7	51049	Truss Head Screws (4)
8	74BX	Square Box/Door Assembly - chrome standard
9	RB74-BX RK-75	Round Box/Door Assembly - chrome Chrome Repair Kit (Includes Items 1-5)



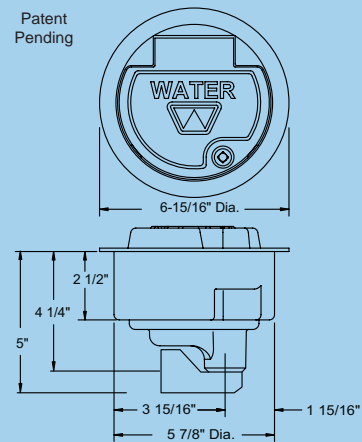
**Model 79
Rough-In
Dimensions**



**Model B79
Rough-In
Dimensions**

Patent Pending

**Model RB79
Rough-In
Dimensions**



Manufactured under one or more of the following patents: U.S. Patents: 3,414,001; 4,178,956; 4,316,481; 4,532,954
D216,790; D216,791; D277,365; D277,366; Canada Patents: 852,529; 865,995; 1,146,438

For more information contact...

WOODFORD MANUFACTURING COMPANY

2121 Waynoka Road, Colorado Springs, Colorado 80915 • Phone: (800) 621-6032 • Fax: (800) 765-4115

To view our complete product line visit: www.woodfordmfg.com or email: sales@woodfordmfg.com

A Division Of WCM Industries, Inc.