



*This unit provides no anti-siphon or backflow protection.*

WOODFORD



# Freezeless Wall Hydrants Model 70

The Model 70 is a frost proof wall hydrant with recessed head. It is designed to blend with modern architecture for installation on schools, office buildings, churches, apartments, motels, stores, shopping centers and industrial buildings.

## SPECIFICATIONS:

**VALVE SEAT** – Permanent type brass valve body with hemispherical seating surface.

**STEM** – Hardened stainless steel stem resists damage.

**PACKING** – EPDM rubber with adjustable packing nut.

**OPERATING ROD** – 3/8" solid brass

**OPERATION** – Tamper resistant removable tee key.

**CASING** – 1" galvanized steel pipe

**HOSE NOZZLE** – 3/4" male hose thread.

**INLETS** – As shown at right.

**MAX PRESSURE** – 125 p.s.i.

**MAX TEMPERATURE** - 120° F

### Specify as follows:

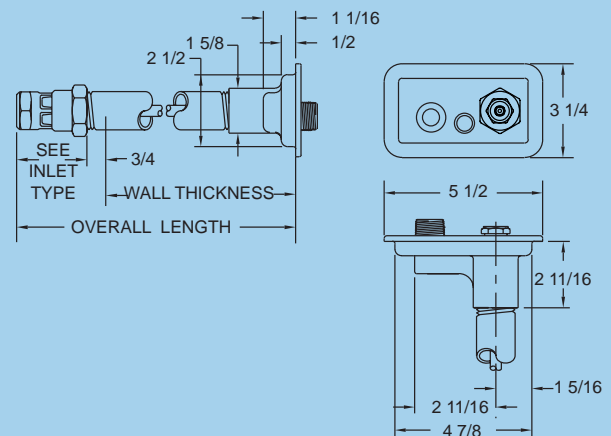
Wall hydrant shall be recessed type Woodford Model 70. 3/4" hose thread nozzle. Hardened stainless steel operating stem. Packing nut secured with lock nut. Permanent type valve body with large hemispherical seating surface. Exterior finish to be Chrome Plated (options: Polished Brass or Rough Brass). Loose tee key to be furnished with each hydrant.

Wall thickness to be \_\_\_\_\_ inches.

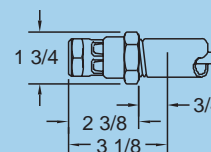


Model 70

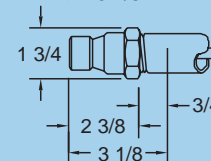
## Rough-In Dimensions



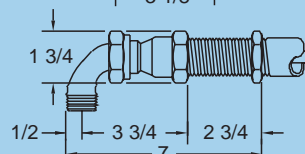
## Inlet Descriptions



**Model 70P**  
3/4" Female Pipe Thread



**Model 70C**  
3/4" Copper Sweat Fitting

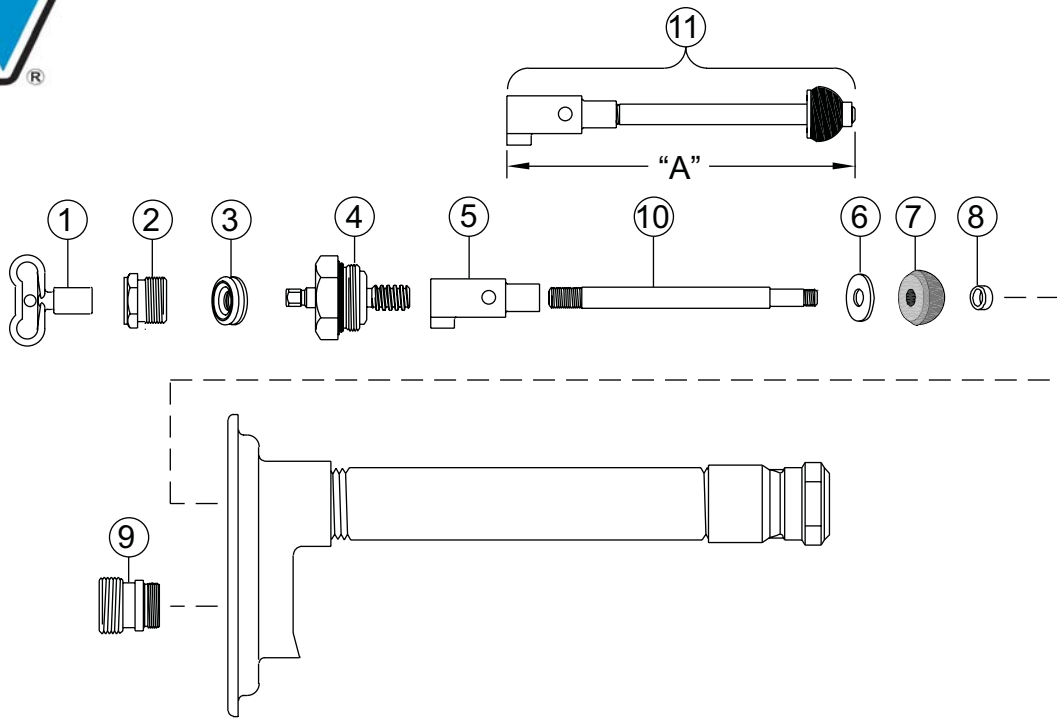


**Model 70EPL**  
Union Elbow with 3/4" Male  
Pipe Thread and Lock Nut  
with 2" Adjustment

**When ordering, specify model number, inlet and finish.**



**WOODFORD**



**MODEL 70 PARTS LIST**

ITEM	PART#	DESCRIPTION
1	RK-STK	Tee Key
2	30109 30107	Packing Nut - chrome Packing Nut - brass
3	30247	Packing
4	55177 55176	Head Nut Assembly - chrome Head Nut Assembly - brass
5	51014	Yoke Nut
6	50027	Plain Support Washer
7	51013	Ball Valve Rubber
8	50028	Round Brass Nut
9	55437 55435	Hose Nozzle - chrome Hose Nozzle - brass
10		Operating Rod (Sold with item 11 only)
11		Operating Rod Assembly (See chart Dim. "A")
	RK-70	Repair Kit (Includes Items 1-8)

**OPERATING ROD ASSEMBLY DIM "A"**

Wall Thickness	Length	Part No.
4	5 1/2"	55304
6	7 1/2"	55306
8	9 1/2"	55308
10	11 1/2"	55310
12	13 1/2"	55312
14	15 1/2"	55314
16	17 1/2"	55316
18	19 1/2"	55318
20	21 1/2"	55320
22	23 1/2"	55322
24	25 1/2"	55324

Wall Thickness	4	6	8	10	12	14	16	18	20	22	24
Overall Length	7 1/8	9 1/8	11 1/8	13 1/8	15 1/8	17 1/8	19 1/8	21 1/8	23 1/8	25 1/8	27 1/8
Shipping Wt.	4.5	4.8	5.1	5.5	5.9	6.4	6.8	7.3	7.9	8.2	9

*For more information contact...*

**WOODFORD MANUFACTURING COMPANY**

2121 Waynoka Road, Colorado Springs, Colorado 80915 • Phone: (800) 621-6032 • Fax: (800) 765-4115  
 To view our complete product line visit: [www.woodfordmfg.com](http://www.woodfordmfg.com) or email: [sales@woodfordmfg.com](mailto:sales@woodfordmfg.com)  
 A Division Of WCM Industries, Inc.