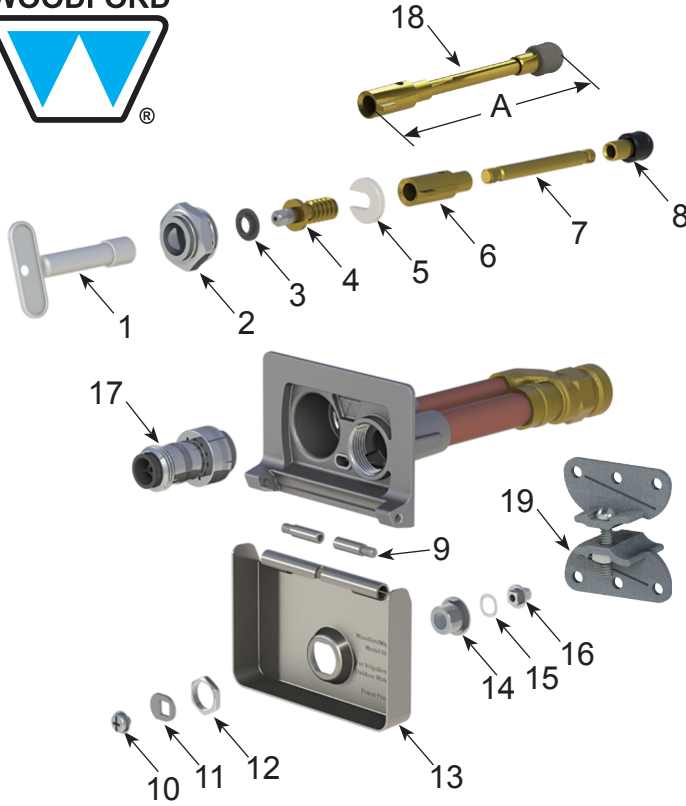


WOODFORD

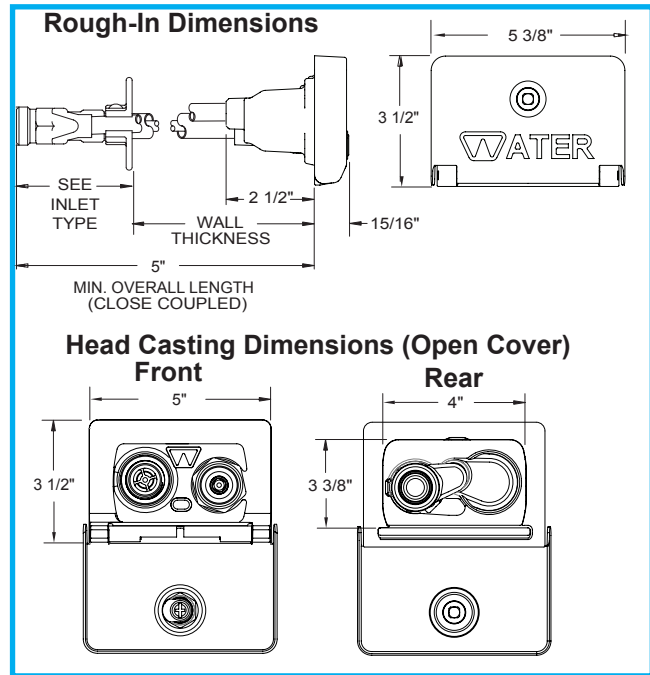


MODEL 68 PARTS LIST

ITEM	PART #	DESCRIPTION
1	50010	Long Tee Key
2	50264	Head Nut – CH chrome
	50265	Head Nut – BR brass
3	50252	Stem Washer
4	55062	Stem Screw
5	50251	“C” washer
6	51014	Yoke Nut
7	Operating Rod (Sold As Item 18 Only)	
8	50250	Plunger
9	50041	Headless Shoulder Bolt (2)
10	30150	Cam Lock Cam Screw
11	30143	Cam Lock
12	30155	Cam Lock Hex Nut
13	50280	Stainless Steel Head Cover
14	30140	Tee Key Lock Well
15	30156	Tee Key Lock Disc Spring
16	30139	Tee Key Lock
17	50HA-CH	50HA Backflow Preventer–chrome
	50HA-BR	50HA Backflow Preventer–brass
18	554XX	Operating Rod Assembly (Includes Items 6,7,8) (Select required assembled length from table below)
19	55063	Wall Clamp Assembly
	RK-65	Chrome Repair Kit (Includes Items 1-6 & 8)
	RK-68	Door Repair Kit (Includes Items 9-16)



Wall Thickness	Length	Part No.
CC	3 1/2"	55401
4	6 1/2"	55404
6	8 1/2"	55406
8	10 1/2"	55408
10	12 1/2"	55410
12	14 1/2"	55412
14	16 1/2"	55414
16	18 1/2"	55416
18	20 1/2"	55418
20	22 1/2"	55420
22	24 1/2"	55422
24	26 1/2"	55424



Wall Thickness (Inch)	CC	4	6	8	10	12	14	16	18	20	22	24
Overall Length - Hydrant	5	8	10	12	14	16	18	20	22	24	26	28
Shipping Wt. (Lbs)	2.5	4.1	4.5	4.9	5.3	5.7	6.1	6.5	6.9	7.3	7.7	8.1

NOTE: Close Coupled Models are not recommended for use in freezing climates and cannot use wall clamp.

For more information contact...

WOODFORD MANUFACTURING COMPANY

2121 Waynoka Road, Colorado Springs, Colorado 80915 • Phone: (800) 621-6032 • Fax: (800) 765-4115

To view our complete product line visit: www.woodfordmfg.com or email: sales@woodfordmfg.com

A Division Of WCM Industries, Inc.