



# Anti-Siphon Automatic Draining Freezeless Wall Faucet Model 25

The Model 25 faucet drains as handle is shut off even if hose is attached. This faucet is designed for residential outside water service applications.

**SPECIFICATIONS:**

**MODEL 25** - Approved under ASSE Standard 1019-B and listed by IAPMO . Meets Government Specification WW-541b Type 205.

**VACUUM BREAKER – ANTI-SIPHON** - NIDEL Model 34HA with 3/4 inch male hose thread. Approved under ASSE Standard 1011, Canadian Standards Association and listed by IAPMO .

**EXTERIOR FINISH** - Brass

**VALVE** – Molded Nitrile suitable for hot water.

**NO LEAD SOLDER** - All solder joints.

**PLUNGER** – Hemispherical cushion type.

**STEM SCREW** – DELRIN

**HEAD NUT** – Brass

**HANDLE** – Metal. (Optional Tee Key)

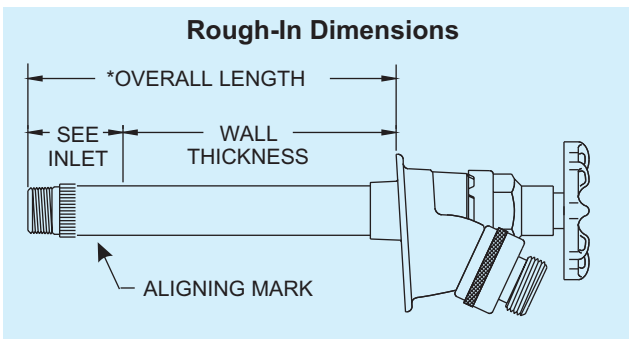
**INLETS** – As shown.

**MAX PRESSURE** – 125 p.s.i.

**MAX TEMPERATURE** - 120 F



**NOTICE** - To close and drain, turn handle clockwise until seated and water drains out of drain hole or faucet may freeze and burst. Vacuum Breaker replacement is recommended every 3-5 years



<b>Wall Thickness</b>	4	6	8	10	12	14	16	18	20	22	24
<b>Shipping Wt.</b>	20	21	22	23	24	25	27	29	31	33	35

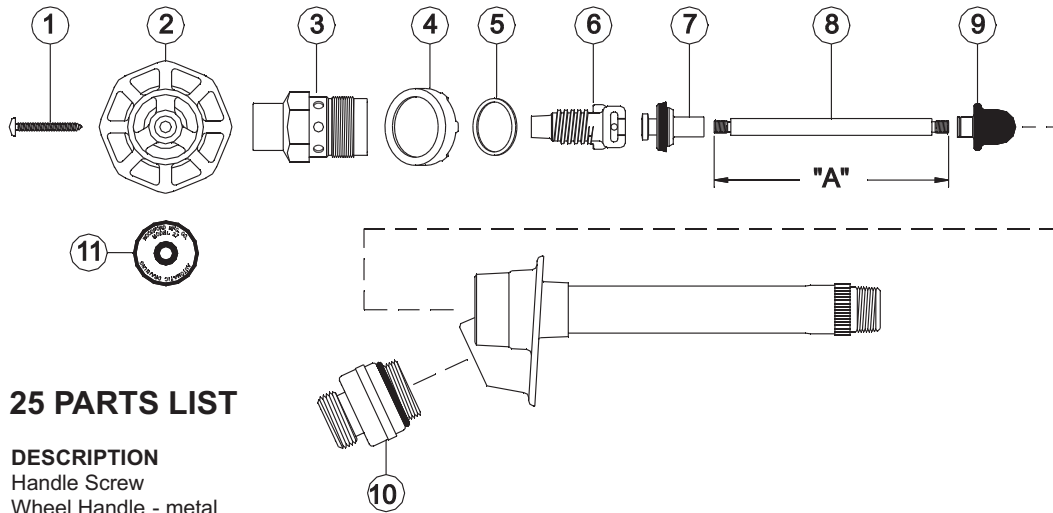
Approx. Shipping Weight (lbs.) per master carton of ten faucets.

\*Overall Length Dimension: Add wall thickness and inlet option length shown in chart at the right.

### Inlet Descriptions

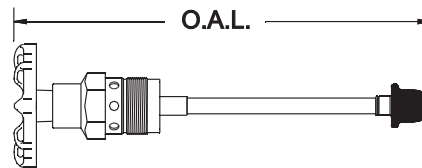
	<p><b>C Inlet</b> COMBINATION Copper Sweat Fitting 1/2" K, L or M Inside 3/4" M Only Outside</p>
	<p><b>CP Inlet</b> COMBINATION 1/2" Male Pipe Thread 1/2" Female Sweat</p>
	<p><b>CP3 Inlet</b> COMBINATION 3/4" Male Pipe Thread 3/4" Female Sweat</p>
	<p><b>P Inlet</b> COMBINATION 1/2" Female Pipe Thread 3/4" Male Pipe Thread</p>
	<p><b>PX Inlet</b> 1/2" PEX Tube Fitting</p>

*When ordering, specify model number, inlet, and wall thickness.*

**WOODFORD****MODEL 25 PARTS LIST**

ITEM	PART #	DESCRIPTION
1	30234	Handle Screw
2	30239	Wheel Handle - metal
3	30241	Head Nut - brass
4	30236	Drain Guard
5	30245	Head Nut Gasket
6	30238	Stem Screw
7	35280	Drain Valve Assembly
8	303XX	Operating Rod (See chart below)
9	30230	Plunger Assembly
10	34HA-BR	34HA Vacuum Breaker - brass
11	30438	Model 25 I.D. Ring

RK-25 Repair Kit (Includes Items 1-7 &amp; 9)



OPERATING ROD DIM. "A"		
Wall Thickness	Length	Part No.
4	4 7/16"	30304
6	6 7/16"	30306
8	8 7/16"	30308
10	10 7/16"	30310
12	12 7/16"	30312
14	14 7/16"	30314
16	16 7/16"	30316
18	18 7/16"	30318
20	20 7/16"	30320
22	22 7/16"	30322
24	24 7/16"	30324

OPERATING ROD ASSEMBLY INCLUDES ITEMS 1 THRU 9		
Wall Thickness	O.A.L.	Part No.
4	8"	35504
6	10"	35506
8	12"	35508
10	14"	35510
12	16"	35512
14	18"	35514
16	20"	35516
18	22"	35518
20	24"	35520
22	26"	35522
24	28"	35524

Manufactured under one or more of the following patents: U.S. Patents: 3,414,001; 4,178,956; 4,316,481; 4,532,954  
D216,790; D216,791; D277,365; D277,366; Canada Patents: 852,529; 865,995; 1,146,438

*For more information contact...*

**WOODFORD MANUFACTURING COMPANY**

2121 Waynoka Road, Colorado Springs, Colorado 80915 Phone: (719) 574-1101 Fax: (719) 574-7621  
To view our complete product line visit: [www.woodfordmfg.com](http://www.woodfordmfg.com)