

**FOR NON-FREEZING AREAS**



# Wall Faucet Model 21

Model 21 Wall Faucet is designed for use in mild climate areas on homes, service stations, churches, motels, drive-in restaurants, etc.

**THIS UNIT OFFERS NO ANTI-SIPHON PROTECTION**

**SPECIFICATIONS:**

**EXTERIOR FINISH** - Brass or chrome plated casting. Optional polished chrome.

**PACKING** - Teflon impregnated packing

**PACKING NUT** - Adjustable brass nut with deep stem guard

**VALVE SEAT** - Standard "O" size washer

**HANDLES** - Furnished with polycarbonate wheel handle and loose tee key. Optional: Metal wheel handle.

**MAX PRESSURE:** 125 p.s.i.

**MAX TEMPERATURE:** 120° F

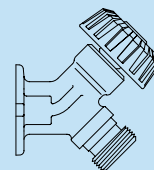
**SHIPPING WEIGHT** (per unit): 1 lb

**TAMPER-PROOF LOCK SHIELD**

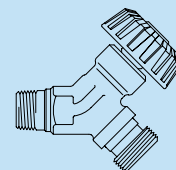


### Inlet Descriptions

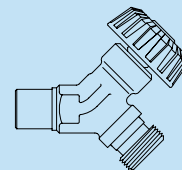
P-1/2 Inlet  
1/2" FPT  
P-3/4 Inlet  
3/4" FPT



CP Inlet  
COMBINATION  
1/2" COPPER TUBE  
1/2" MPT

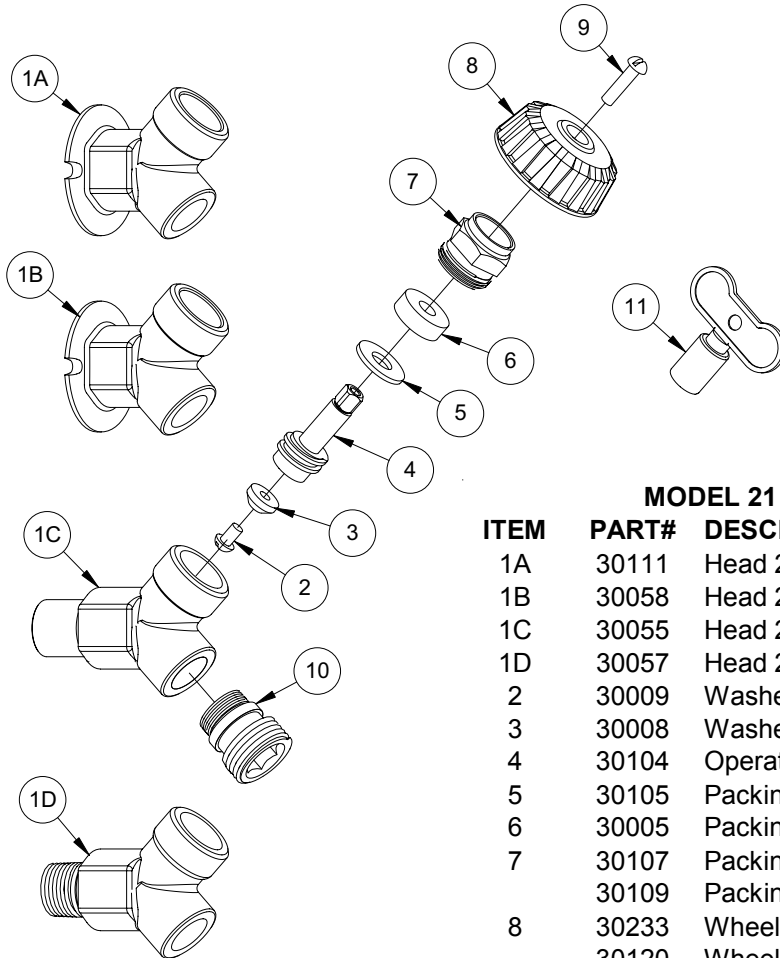


C Inlet  
COMBINATION  
1/2" COPPER TUBE  
3/4" COPPER TUBE



*When ordering, specify model, inlet and finish*

WOODFORD



**MODEL 21 PARTS LIST**

ITEM	PART#	DESCRIPTION
1A	30111	Head 21P-1/2
1B	30058	Head 21P-3/4
1C	30055	Head 21C
1D	30057	Head 21CP
2	30009	Washer Screw
3	30008	Washer Screw
4	30104	Operating Stem
5	30105	Packing Washer
6	30005	Packing
7	30107	Packing Nut - Brass
	30109	Packing Nut - Chrome
8	30233	Wheel Handle - Tan
	30120	Wheel Handle - Clear
9	30002	Handle Screw - Brass
	30121	Handle Screw - Nickel
10	55435	Hose Nozzle w/O-Ring - Brass
	55437	Hose Nozzle w/O-Ring - Chrome
11	RK-STK	Tee Key

RK-24 Brass Repair Kit  
Includes Items 2-9

Manufactured under one or more of the following patents: U.S. Patents: 3,414,001; 3,543,786; 4,178,956; 4,316,481; D216,790; D216,791; D277,365; D277,366; Canada Patents: 822,458; 852,529; 865,995

*For more information contact...*

**WOODFORD MANUFACTURING COMPANY**

2121 Waynoka Road, Colorado Springs, Colorado 80915 • Phone: (719) 574-1101 • Fax: (719) 574-7621  
To view our complete product line visit: [www.woodfordmfg.com](http://www.woodfordmfg.com)