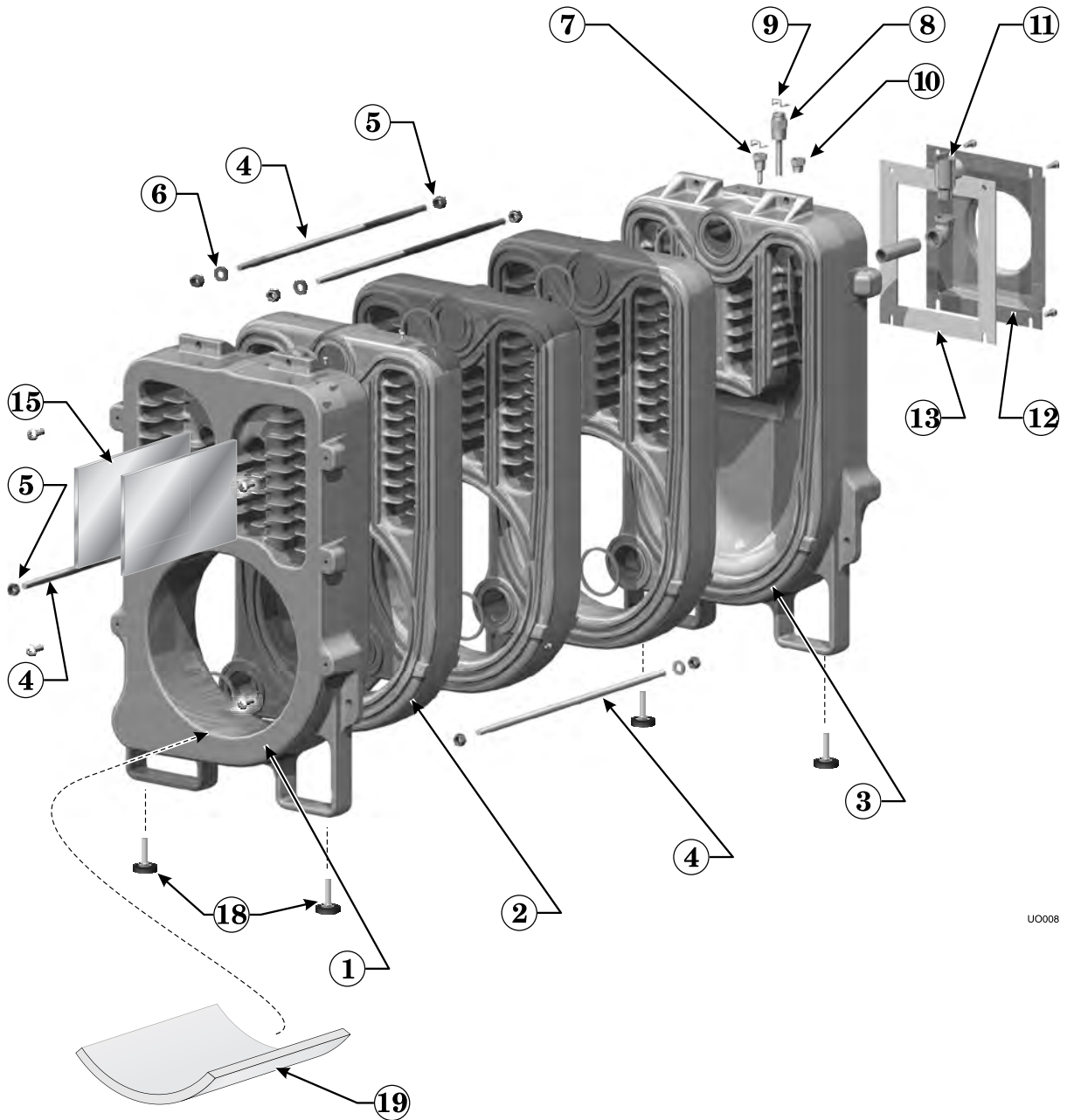


Appendix — Replacement parts (continued)

Boiler section assembly parts



UC008

OIL

Ultra Oil

Appendix — Replacement parts (continued)

Boiler section assembly parts

Item	Description	Part Number
1	Boiler front section	316-900-200
2	Boiler intermediate section	316-900-210
3	Boiler back section	316-900-220
4	Tie rods (4 required) UO-3 UO-4 UO-5	560-234-468 560-234-472 560-234-477
5	Nuts (8 required)	561-928-221
6	Washers (4 required)	562-248-668
7	P/T gauge temperature sensor well	592-300-025
8	Limit control sensor well	592-300-006
9	Mounting clip for P/T gauge and limit well	512-400-001
10	P/T gauge pressure sensor check valve	512-400-000
11	Boiler relief valve	511-546-920
12	Flue collar	446-900-000
13	Flue collar gasket	590-318-028
14	Flue collar replacement Kit (flue collar plate, gasket, (4) bolts)	386-902-002
15	Flueway baffles (for UO-3 1.0 gph input only) — (2) required	452-800-455
16	Front/Intermediate section replacement kit (includes seals & rope)	386-902-004
17	Back section replacement kit (includes seals, rope, flue gasket)	386-902-003
18	Leveling legs (4)	386-902-013
19	UO-3 0.80 GPH ONLY combustion chamber floor blanket	591-221-287
20	UO-3 0.80 GPH ONLY low firing rate kit (Not shown) (includes blanket, water glass, nozzle)	386-902-007
	Flueway Brush	591-706-241
	3.5" square cut seal for top and bottom	572-800-021

Appendix — Replacement parts (continued)

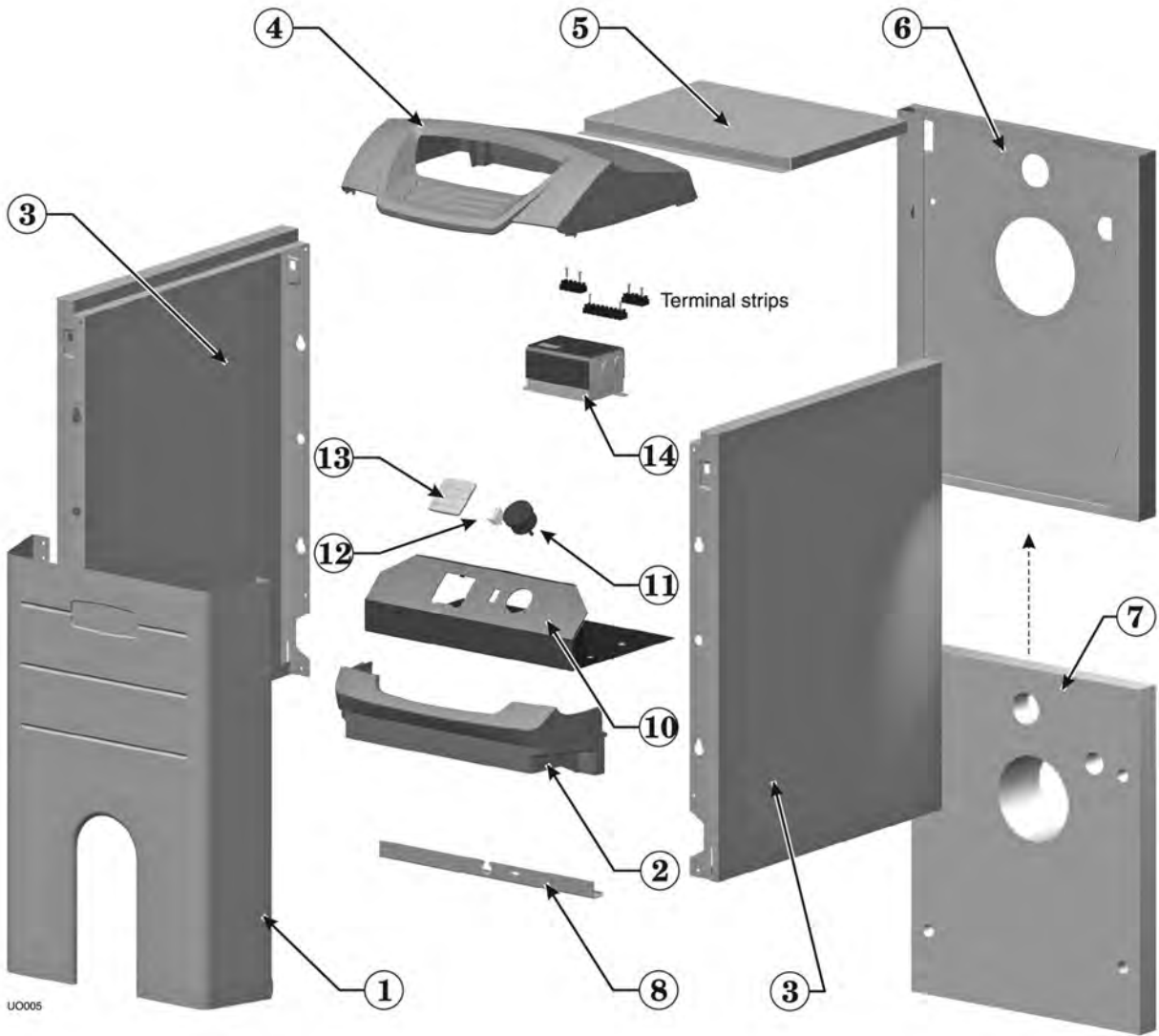
Burner door parts

Item	Description	Part Number
1	Burner flange bolts (3) each, 5/16"-18 x 3/4" Hex HD SS	Purchase locally
2	Burner door	330-054-308
3	Burner door hinge bracket	466-900-000
4	Hinge bracket screws (2 required), 3/8"-16 x 1	Purchase locally
5	Observation port assembly (includes observation port, bolt, observation port gasket, sight glass gasket, sight glass, water glass)	386-902-000
6	Observation port gasket (requires water glass adhesive)	590-318-027
7	Water glass for observation port gasket (Not shown)	591-632-612
8	Sight glass gasket	590-317-580
9	Burner door retainer bolts and washers (2) each, 3/8"-16 x 2" Hex HD ZP	Purchase locally
10	Burner door insulation kit (includes refractories, insulation blankets, & rope)	386-902-001

110

Appendix — Replacement parts (continued)

Jackect and control parts



OIL

Appendix — Replacement parts (continued)

Jacket and control parts

Item	Description	Part Number
1	Jacket front panel assembly (includes sheet metal, plastic, striker)	386-902-005
2	Jacket front panel plastic	595-000-009
3	Jacket side panel (left and right sides are the same)	UO-3 426-900-002 UO-4 426-900-003 UO-5 426-900-004
4	Control Pod cover	595-000-011
5	Jacket top panel	UO-3 426-900-005 UO-4 426-900-006 UO-5 426-900-007
6	Jacket rear panel (if required order insulation below)	426-900-001
7	Jacket rear panel insulation	591-222-181
8	Jacket crosstie	426-900-008
9	Boiler insulation (Not shown)	UO-3 591-222-178 UO-4 591-222-179 UO-5 591-222-180
10	Control tray assembly (includes tray, limit control, terminal strips, P/T gauge, ON/OFF switch, wiring, labels)	386-902-008
11	Pressure/Temperature gauge	510-218-052
12	ON/OFF switch	511-624-645
13	Weil-McLain logo plate	595-000-010
14	High limit control, Honeywell L7248C-1030	386-902-006
15	Wire harness (Not shown)	386-902-011
16	Barometric draft control (Not shown)	510-512-270
17	Limit control sensor (Not shown)	511-724-291