



# Parts List

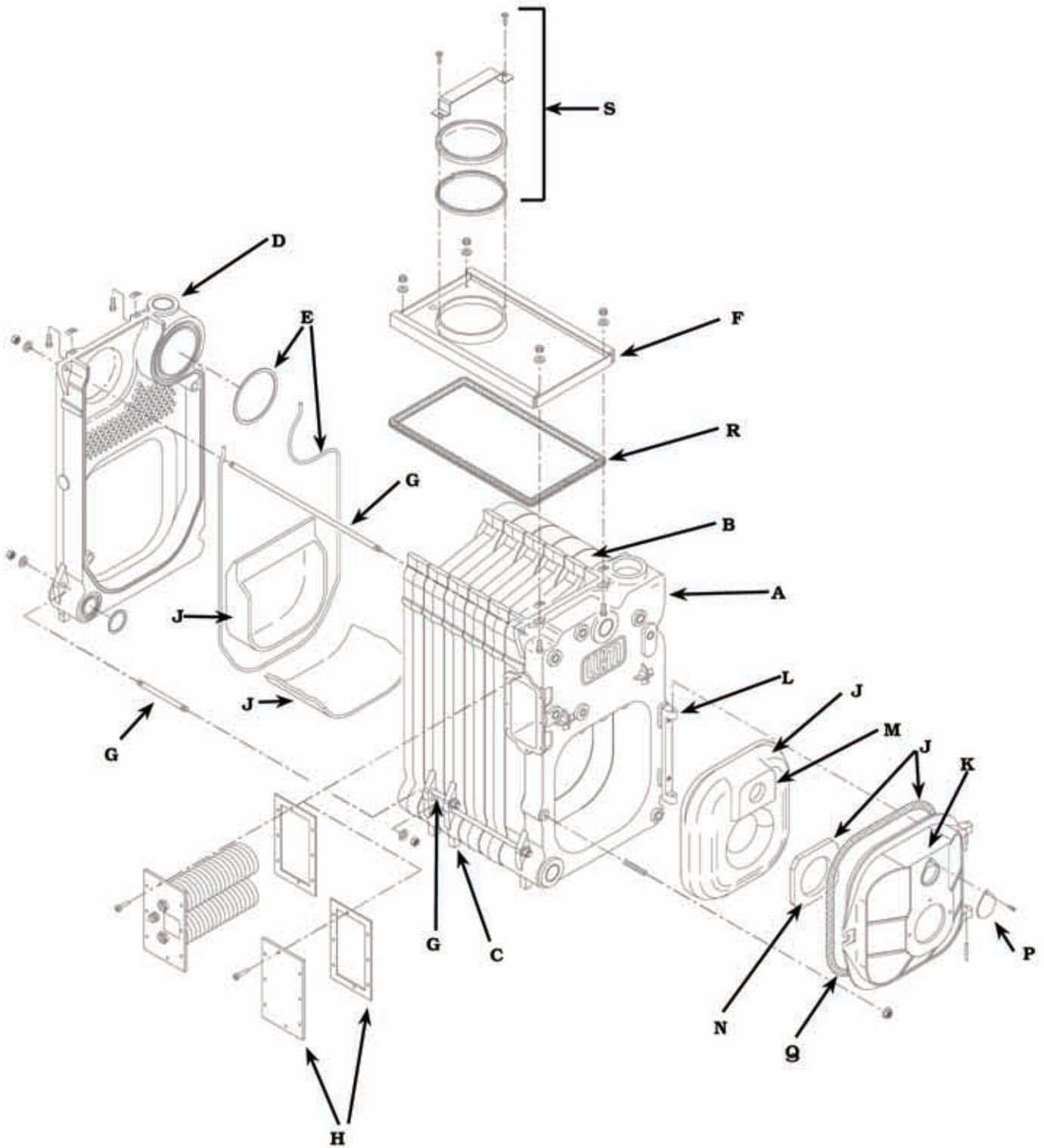
## NOTICE

Repair parts must be purchased through Weil-McLain for the specific boiler as indicated in the list below. Results from using modified or other manufactured parts will not be covered by warranty and may damage boiler or impair operation.

| Fig. No. | Description   | Weil-McLain Part Number |
|----------|---|-------------------------|
| <b>A</b> | Wide Front Section (7011)   | 316-700-245             |
| <b>B</b> | Regular Intermediate Section (7015)   | 316-700-065             |
| <b>C</b> | Intermediate Section w/Draw Rod Lugs (7016)   | 316-700-070             |
| <b>D</b> | Back Section w/7" Flue, Supply & 2" Return (7017)   | 316-700-265             |
| <b>E</b> | Section Replacement Kit (For 1 Joint, includes Seals, Rope, Adhesive and Collector Hood Hardware) Front or Back Section | 386-700-852             |
|          | Section Replacement Kit (For 2 Joints, includes Seals, Rope and Adhesive) Intermediate Section                          | 386-700-851             |
|          | Section Assembly Complete. For SGO-3 with jacket  | 386-700-665             |
|          | Section Assembly Complete. For SGO-4 with jacket  | 386-700-666             |
|          | Section Assembly Complete. For SGO-5 with jacket  | 386-700-667             |
|          | Section Assembly Complete. For SGO-6 with jacket  | 386-700-668             |
|          | Section Assembly Complete. For SGO-7 less jacket  | 386-700-669             |
|          | Section Assembly Complete. For SGO-8 less jacket  | 386-700-670             |
|          | Section Assembly Complete. For SGO-9 less jacket  | 386-700-671             |
| <b>F</b> | Collector Hood Kit For SGO-3*   | 386-700-340             |
| <b>F</b> | Collector Hood Kit For SGO-4*   | 386-700-341             |
| <b>F</b> | Collector Hood Kit For SGO-5*   | 386-700-342             |
| <b>F</b> | Collector Hood Kit For SGO-6*   | 386-700-343             |
| <b>F</b> | Collector Hood Kit For SGO-7*   | 450-020-182             |
| <b>F</b> | Collector Hood Kit For SGO-8*   | 450-020-184             |
| <b>F</b> | Collector Hood Kit For SGO-9*   | 450-020-186             |
| <b>G</b> | Tie Rod 1/2 x 5 1/2 (SGO-7, 8, 9)   | 560-234-464             |
| <b>G</b> | Tie Rod 1/2 x 10 1/4 (SGO-7)  | 560-234-491             |
| <b>G</b> | Tie Rod 1/2 x 12 1/4 (SGO-3)  | 560-234-493             |
| <b>G</b> | Tie Rod 1/2 x 13 3/8 (SGO-7 & 8)  | 560-234-494             |
| <b>G</b> | Tie Rod 1/2 x 14 (SGO-8, 9)   | 560-234-470             |
| <b>G</b> | Tie Rod 1/2 x 15 (SGO-9)  | 560-234-495             |
| <b>G</b> | Tie Rod 1/2 x 15 5/8 (SGO-4)  | 560-234-532             |
| <b>G</b> | Tie Rod 1/2 x 16 1/2 (SGO-9)  | 560-234-496             |
| <b>G</b> | Tie Rod 1/2 x 18 1/2 (SGO-5)  | 560-234-475             |
| <b>G</b> | Tie Rod 1/2 x 21 5/8 (SGO-6)  | 560-234-536             |
| <b>G</b> | Tie Rod 1/2 x 24 1/4 (SGO-7)  | 560-234-540             |
| <b>G</b> | Tie Rod 1/2 x 28 (SGO-8)  | 560-234-544             |
| <b>G</b> | Tie Rod 1/2 x 31 (SGO-9)  | 560-234-546             |
| <b>H</b> | Heater Cover Plate Carton (Cover Plate, Gasket, Studs & Nuts)   | 389-900-103             |
| <b>J</b> | Combustion Chamber Kit (Rear & Frt Ref., Door Refractory Blanket, Rope, Blanket & Water Glass)                          | 385-700-355             |
|          | Burner Mounting Door Assembly (Door, Obs. Port, Rope, Ins. and Pins)  | 386-700-358             |
| <b>K</b> | Burner Mounting Door (7070)   | 330-054-302             |
| <b>L</b> | Door Hinge (7054)   | 330-054-300             |
| <b>M</b> | Door Refractory   | 386-700-359             |
| <b>N</b> | Door Refractory Blanket   | 591-222-115             |
| <b>P</b> | Observation Port Shutter  | 460-039-867             |
| <b>Q</b> | Door Seal Rope 5'   | 590-735-105             |
| <b>R</b> | 3/8" Glass Rope For Collector Hood (7' For Largest Size Hood)   | 590-739-109             |
| <b>S</b> | Flue Cap Assembly (Cap, Strap, Rope and Screws)   | 386-700-344             |
|          | Flue Brush (123D)   | 591-706-214             |

\* Includes flue cap assembly, rope and hardware for installation.

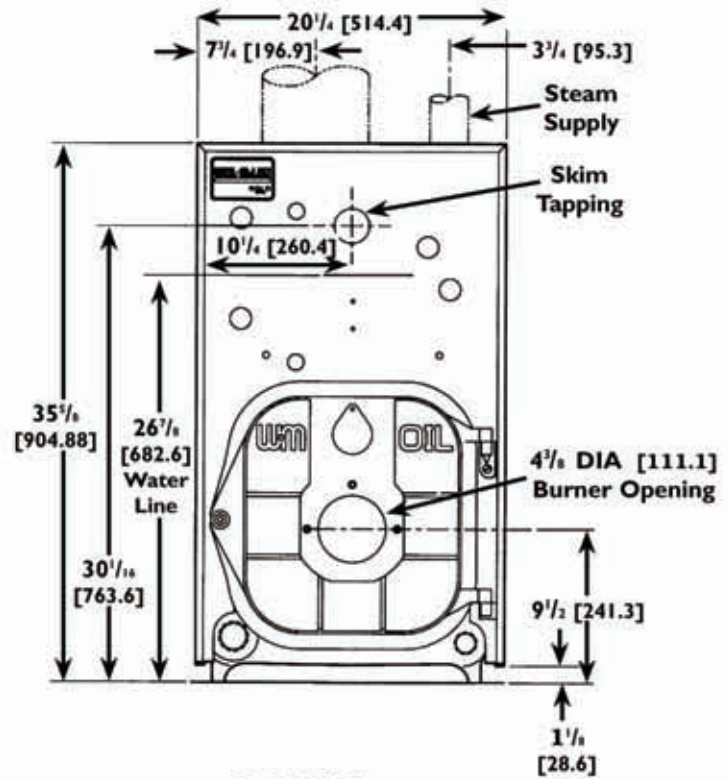
# Parts Drawing





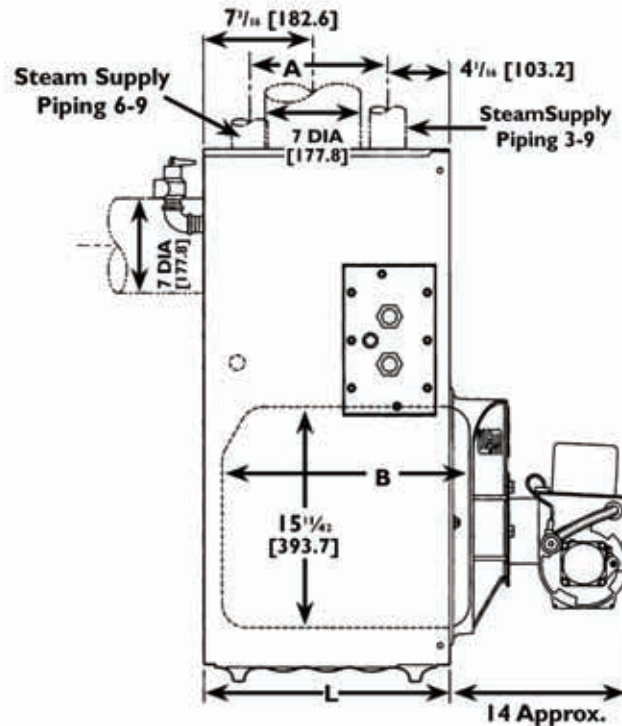
# Dimensions

| DIMENSIONS - in.    |                                |                                |                                |
|---------------------|--------------------------------|--------------------------------|--------------------------------|
| BOILER MODEL NUMBER | A                              | B                              | L                              |
| SGO-3               | —                              | 13 <sup>1</sup> / <sub>2</sub> | 16 <sup>7</sup> / <sub>8</sub> |
| SGO-4               | —                              | 16 <sup>5</sup> / <sub>8</sub> | 20                             |
| SGO-5               | —                              | 19 <sup>7</sup> / <sub>8</sub> | 22 <sup>1</sup> / <sub>8</sub> |
| SGO-6               | 19                             | 23 <sup>1</sup> / <sub>2</sub> | 26 <sup>1</sup> / <sub>4</sub> |
| SGO-7               | 22 <sup>1</sup> / <sub>8</sub> | 26 <sup>1</sup> / <sub>8</sub> | 29 <sup>3</sup> / <sub>8</sub> |
| SGO-8               | 25 <sup>1</sup> / <sub>4</sub> | 29 <sup>1</sup> / <sub>4</sub> | 32 <sup>1</sup> / <sub>2</sub> |
| SGO-9               | 28 <sup>3</sup> / <sub>8</sub> | 32 <sup>3</sup> / <sub>8</sub> | 35 <sup>5</sup> / <sub>8</sub> |

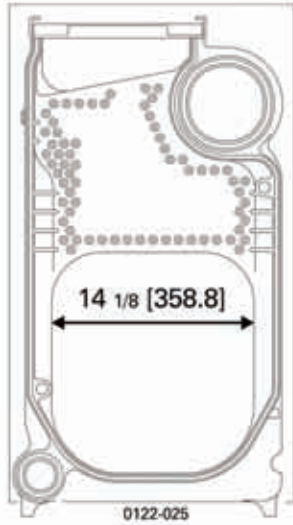


SGO "A" Front

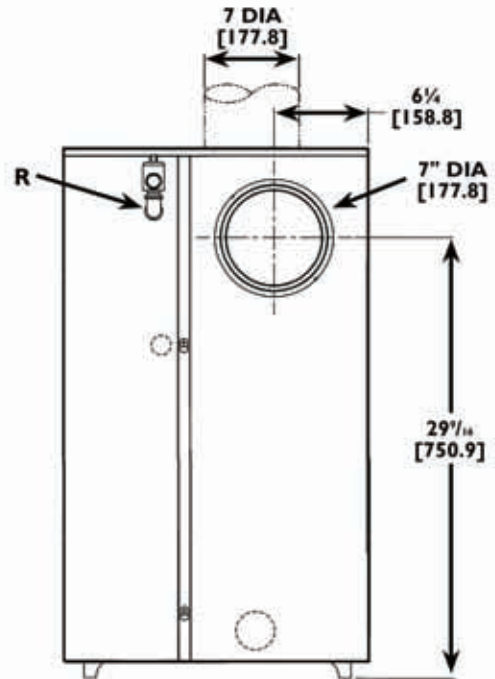
| DIMENSIONS - mm.    |       |       |       |
|---------------------|-------|-------|-------|
| BOILER MODEL NUMBER | A     | B     | L     |
| SGO-3               | —     | 342.9 | 428.7 |
| SGO-4               | —     | 422.1 | 508.0 |
| SGO-5               | —     | 504.9 | 587.2 |
| SGO-6               | 482.6 | 584.2 | 666.7 |
| SGO-7               | 561.8 | 663.4 | 746.2 |
| SGO-8               | 641.4 | 742.9 | 825.5 |
| SGO-9               | 720.9 | 822.4 | 904.7 |



SGO Side with Burner



**Intermediate**



**SGO Back**



# Ratings



## SGO GOLD OIL STEAM BOILER RATINGS (1)

| BOILER MODEL NUMBER | I=B=R BURNER CAPACITY GPH (3) | DOE HEATING CAPACITY (4) MBH (2) | NET I=B=R RATINGS (5) |           | DOE SEASONAL EFFICIENCY % AFUE | MINIMUM I=B=R CHIMNEY |          |           | ROUND FLUE OUTLET SIZE IN (7) | STEAM BOILER WATER CONTENT GAL (8) | DRAFT LOSS THRU BOILER IN W.C. (9) |
|---------------------|-------------------------------|----------------------------------|-----------------------|-----------|--------------------------------|-----------------------|----------|-----------|-------------------------------|------------------------------------|------------------------------------|
|                     |                               |                                  | STEAM SQ.FT.          | STEAM MBH |                                | RECT IN               | ROUND IN | HEIGHT FT |                               |                                    |                                    |
| *-SGO-3             | 0.95                          | 114                              | 354                   | 85        | 83.8                           | 8x8                   | 6        | 15        | 7                             | 10.7                               | .020                               |
| *-SGO-4             | 1.20                          | 144                              | 450                   | 108       | 84.0                           | 8x8                   | 6        | 15        | 7                             | 12.5                               | .010                               |
| *-SGO-5             | 1.45                          | 174                              | 546                   | 131       | 83.9                           | 8x8                   | 7        | 15        | 7                             | 14.2                               | .015                               |
| *-SGO-6             | 1.75                          | 210                              | 658                   | 158       | 83.7                           | 8x8                   | 7        | 15        | 7                             | 16                                 | .015                               |
| ** -SGO-7           | 2.00                          | 240                              | 750                   | 180       | 83.6                           | 8x8                   | 8        | 15        | 7                             | 17.7                               | .015                               |
| ** -SGO-8           | 2.30                          | 266 (6)                          | 833                   | 200       | —                              | 8x12                  | 8        | 20        | 7                             | 19.4                               | .025                               |
| ** -SGO-9           | 2.55                          | 295 (6)                          | 921                   | 221       | —                              | 8x12                  | 8        | 20        | 7                             | 21.2                               | .030                               |

\* Substitute "P" for completely assembled packaged steam boiler without burner (SGO-3 through SGO-6 only).  
Substitute "A" for boiler only for use with approved burners as listed with I-B=R.

\*\* Available only as an "A" unit.

- (1) SGO boiler designed with convertible vertical and horizontal flue outlet.
- (2) MBH refers to thousands of Btu per hour.
- (3) Based on 140,000 Btu/gal.
- (4) Based on standard test procedures prescribed by the United States Department of Energy at combustion condition of 13.0% CO<sub>2</sub> for SGO-3 and 13.5% for SGO-4 through 7
- (5) Net I=B=R ratings are based on net installed radiation of sufficient quantity for the requirements of the building and nothing need be added for normal piping and pick-up. Steam ratings are based on a piping and pick-up allowance of 1.33. An additional allowance should be made for unusual piping and pick-up loads. Consult local Weil-McLain Sales Office.
- (6) I=B=R gross output
- (7) See page 12 for minimum breeching diameter.
- (8) To water line.
- (9) Listed draft losses are for factory-shipped settings.