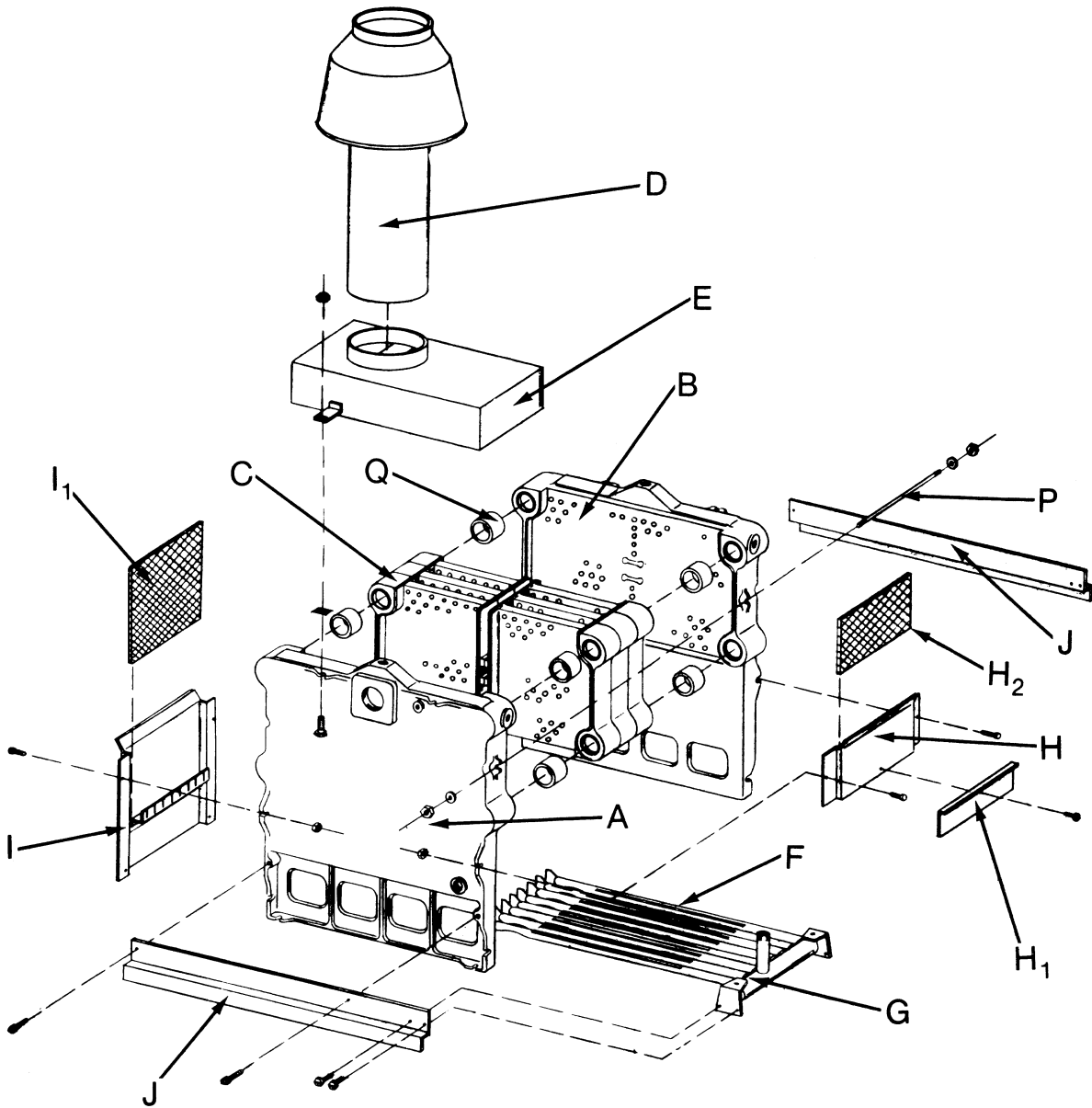


# PFG Section & Base Assembly



GAS

## PFG Boiler Parts List Series 1 through 7

Fig #	Part No.	Description	Series #	Price
A	312-804-405	Left Hand End Section, 51113	7	
B	312-804-415	Right Hand End Section, 51117	7	
C	312-804-416	Intermediate Section Half, 51125 (Requires 2 per intermediate section)	7	
	321-114-507	Section Assembly, Complete with well: P-FG-5	7	
	321-114-508	Section Assembly, Complete with well: P-FG-6	7	
	321-114-509	Section Assembly, Complete with well: P-FG-7	7	
	321-114-510	Section Assembly, Complete with well: P-FG-8	7	
	386-700-856	Section Assembly repair kit (1 per joint) includes seals, guide ball bearings, silicone sealant, instructions	7	
D	450-021-200	Draft Hood, Vertical: P-FG-5	1-7	
D	450-021-201	Draft Hood, Vertical: P-FG-6	1-7	
D	450-021-202	Draft Hood, Vertical: P-FG-7	1-7	
D	450-021-205	Draft Hood, Vertical: P-FG-8	5-7	
	591-638-851	RTV 108 or Equivalent	1-7	
E	450-014-819	Collector Hood, P-FG-5	4-7	
E	450-014-820	Collector Hood, P-FG-6	4-7	
E	450-014-821	Collector Hood, P-FG-7	4-7	
E	450-014-822	Collector Hood, P-FG-8	4-7	
F	512-200-022	Burner, Tubular Steel, Regular	5-7	
F	512-200-023	Burner, Tubular Steel with Pilot Bracket	5-7	
G	591-125-820	Manifold: P-FG-5	1-7	
G	591-125-821	Manifold: P-FG-6	1-7	
G	591-125-822	Manifold: P-FG-7	1-7	
G	591-125-823	Manifold: P-FG-8	1-7	
H <sub>2</sub>	591-222-020	Front Base Insulation: P-FG-5	1-7	
H <sub>2</sub>	591-222-021	Front Base Insulation: P-FG-6	1-7	
H <sub>2</sub>	591-222-022	Front Base Insulation: P-FG-7	1-7	
H <sub>2</sub>	591-222-025	Front Base Insulation: P-FG-8	1-7	
I <sub>1</sub>	591-222-030	Back Base Insulation: P-FG-5	1-7	
I <sub>1</sub>	591-222-031	Back Base Insulation: P-FG-6	1-7	
I <sub>1</sub>	591-222-032	Back Base Insulation: P-FG-7	1-7	
I <sub>1</sub>	591-222-033	Back Base Insulation: P-FG-8	1-7	
	560-529-055	Main Burner Orifice (Natural) No. 37 Drill	5-7	
	560-529-056	Main Burner Orifice (Propane) 1.65mm Drill	5-7	
Q	561-326-825	1-3/4" Dia. Push Nipple (4 per joint). <b>Obsolete - will sell remaining inventory. Call for availability</b>	1-6	
P	560-234-422	Tie Rod w/o Nut (2 per Boiler): P-FG-5, 3/8" X 15"	1-7	
P	560-234-433	Tie Rod w/o Nut (2 per Boiler): P-FG-6, 3/8" X 18"	1-7	
P	560-234-437	Tie Rod w/o Nut (2 per Boiler): P-FG-7, 3/8" X 21"	1-7	
P	560-234-443	Tie Rod w/o Nut (2 per Boiler): P-FG-8, 3/8" X 24"	1-7	
P	560-234-439	Tie Rod w/o Nut (2 per Boiler): P-FG-10, 3/8" X 30"	1	
	561-928-215	3/8" Nut (2 per Tie Rod)	1-7	
	562-248-690	3/8" Washer (2 per Tie Rod)	1-7	
	591-706-214	Flue Brush, 123 DMG	1-7	
	591-638-851	Silicone Sealant RTV 700	5-7	
	591-602-913	Retort Cement (1 Quart)	1-7	

## PFG Boiler Parts List Series 1 through 7

	460-003-700	Radiation Plate (2 per Joint)	4-7	
	452-800-449	Flue Baffle: PFG-5, 5A	4-7	
	452-800-451	Flue Baffle: PFG-6	4-7	
	452-800-452	Flue Baffle: PFG-7	4-7	
	452-800-453	Flue Baffle: PFG-8	4-7	
	591-222-095	Flue Baffle Insulation: PFG-5,5A	4-7	
	591-222-096	Flue Baffle Insulation: PFG-6	4-7	
	591-222-097	Flue Baffle Insulation: PFG-7	4-7	
	591-222-098	Flue Baffle Insulation: PFG-8	4-7	
	412-800-115	Jacket Replacement: PFG-5	1-7	
	412-800-120	Jacket Replacement: PFG-6	1-7	
	412-800-125	Jacket Replacement: PFG-7	1-7	
	412-800-130	Jacket Replacement: PFG-8	1-7	
	569-928-020	Jacket Hardware Kit	1-7	
H	452-800-500	Front Base Panel PFG-5	1-7	
H	452-800-501	Front Base Panel PFG-6	1-7	
H	452-800-502	Front Base Panel PFG-7	1-7	
H	452-800-503	Front Base Panel PFG-8	1-7	
H <sub>1</sub>	452-800-540	Base Access Panel PFG-5	1-7	
H <sub>1</sub>	452-800-541	Base Access Panel PFG-6	1-7	
H <sub>1</sub>	452-800-542	Base Access Panel PFG-7	1-7	
H <sub>1</sub>	452-800-543	Base Access Panel PFG-8	1-7	
I	452-800-655	Right Hand/ Left Hand Base Rail (2 required)	1-7	
I	452-800-580	Base Back Panel PFG-5	1-7	
I	452-800-581	Base Back Panel PFG-6	1-7	
I	452-800-582	Base Back Panel PFG-7	1-7	
I	452-800-583	Base Back Panel PFG-8	1-7	

NOTE: Number of burners: PFG-5 - 7 main burners & 1 burner w/pilot bracket, PFG-6 - 9 main burners & 1 burner w/pilot bracket, PFG-7-11 main burners & 1 burner w/pilot bracket, PFG-8 -13 main burners & 1 burner w/pilot bracket.

GAS

## PFG Trim

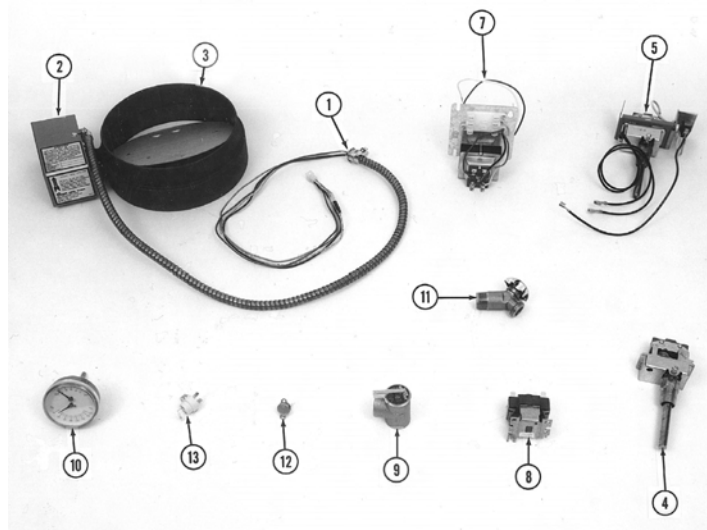
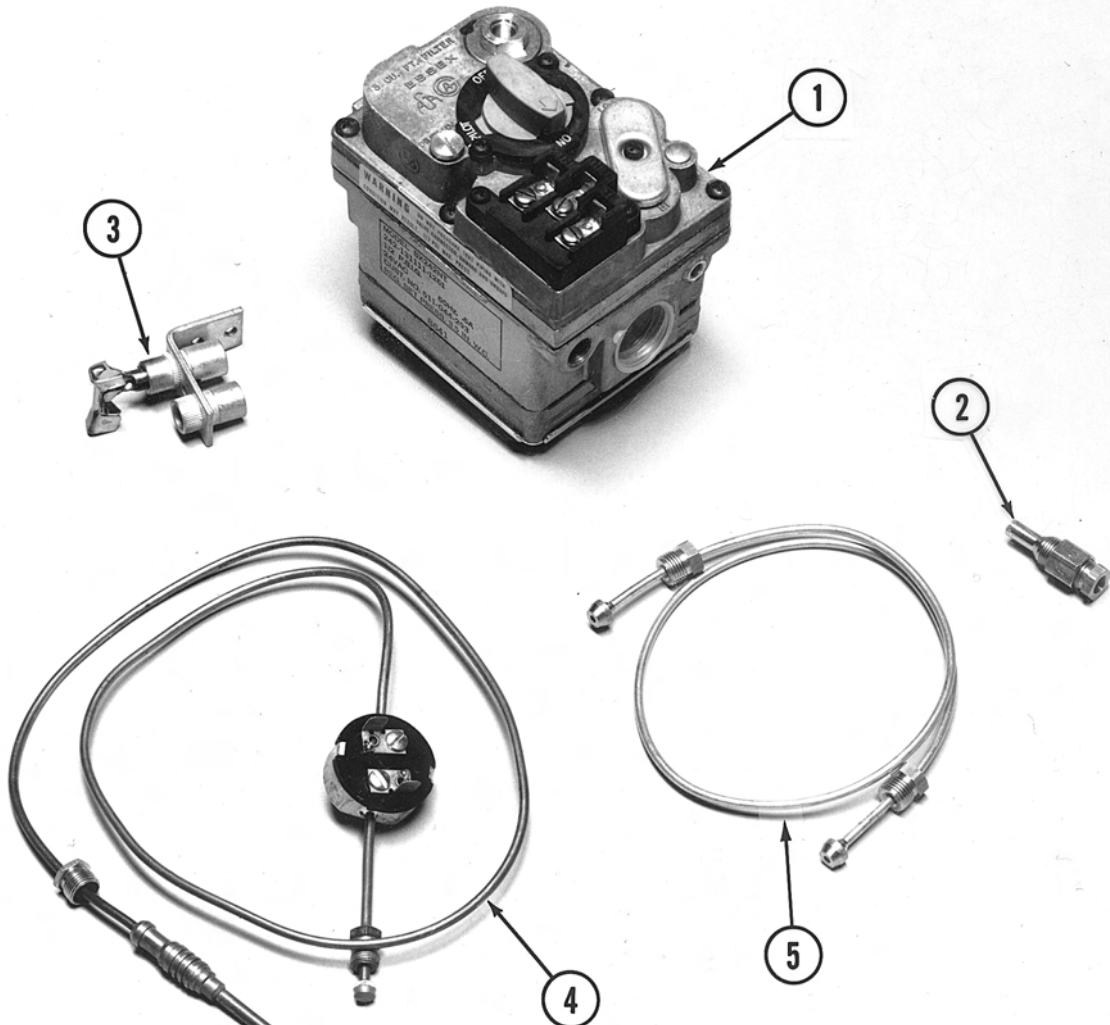


Fig. No.	Part No.	Description	Mfr.	Mfr.'s Part No.	Notes
<b>COMPONENTS FOR PI/PID MODELS</b>					
1	591-391-795	Vent Damper Wiring Harness	Weil-McLain		
2	510-512-337	Vent Damper Motor Operator	Effikal	RVGP	
	510-312-255	Vent Damper Motor Operator	Johnson	M35BE-1C	
3	381-800-477	Vent Damper Assemble, 7"	Effikal	RVGP-KS-7BKF	
	381-800-477	Vent Damper Assemble, 7"	Johnson	Q35GH-2	
	381-800-478	Vent Damper Assemble, 8"	Effikal	RVGP-KS-8BKF	
	381-800-478	Vent Damper Assemble, 8"	Johnson	Q35GK-2	
	381-800-445	Vent Damper Assemble, 9"	Effikal	RVGP-KS-9BKF	
	381-800-445	Vent Damper Assemble, 9"	Johnson	Q35GM-2	
4	510-312-250	High Limit Control, SPST, Automatic Recycle, 140-240 °F Range, 30° Fixed Differential with 3/4" N.P.T. Well	White-Rodgers	11B81-3	
	510-312-250	High Limit Control, SPST, Automatic Recycle, 140-240 °F Range, 30° Fixed Differential with 3/4" N.P.T. Well	Honeywell	L4080D1036	
<b>24 VOLT STANDING PILOT COMPONENTS</b>					
5	510-312-145	Combined Operating and Fixed High Limit Temperature Control, SPST, Automatic Recycle, Operating High Limit 140-240°F Range, Fixed High Limit 240°F with 3/4" N.P.T. Well	White-Rodgers	11B81-703	
<b>COMPONENTS COMMON TO ALL PFG BOILERS</b>					
7	510-312-166	Combination Transformer-Relay Receptacle, 120/24 V, 40Va	White Rodgers	S84A-85	
	510-312-166	Combination Transformer-Relay Receptacle, 120/24 V, 40Va	White Rodgers	599-9001	
	510-312-166	Combination Transformer-Relay Receptacle, 120/24 V, 40Va	Honeywell	R8285K1004	
	510-312-166	Combination Transformer-Relay Receptacle, 120/24 V, 40Va	Products Unlimited	57-01E07CSF223	
8	510-350-223	Plug-In DPST Relay with 24 Volt Holding Coil	Honeywell	R8222U1006	
	510-350-223	Plug-In DPST Relay with 24 Volt Holding Coil	White-Rodgers	91-322000-11000	
	510-350-223	Plug-In DPST Relay with 24 Volt Holding Coil	Products Unlimited	9100-241Q223	
9	511-546-924	ASME Relief Valve, Set to Relieve at 30 PSIG, 3/4" N.P.T. Female Inlet	Watts	335	
	511-546-924	ASME Relief Valve, Set to Relieve at 30 PSIG, 3/4" N.P.T. Female Inlet	Conbraco	10-408-05	
10	510-218-097	Combination Gauge, 2-1/2" Dial, 0-60 PSIG, 60-260°F, Long Shank, 1/4" N.P.T. Back Mount	ENFM	4104	
	510-218-097	Combination Gauge, 2-1/2" Dial, 0-60 PSIG, 60-260°F, Long Shank, 1/4" N.P.T. Back Mount	Ametek	PT 1088	
11	511-210-423	Drain Valve, 1-1/2" Shank, 3/4" N.P.T.	Conbraco	31-606-01	
	510-300-013	Spill Switch with Reset, 210 °F PFG-5 only	Elmwood Sensors	2455RM-8174-0201	
13	512-050-230	Rollout Thermal Fuse Element, 228° C PFG-5 only	Elmwood Sensors	RD226-001	
13	512-050-230	Rollout Thermal Fuse Element, 228° C PFG-5 only	Microtemp	G4AM0600229C	

# PFG Standing Pilot Series 3-6



Obsolete see Thermocouple  
to Thermopile Conversion Kit

GAS

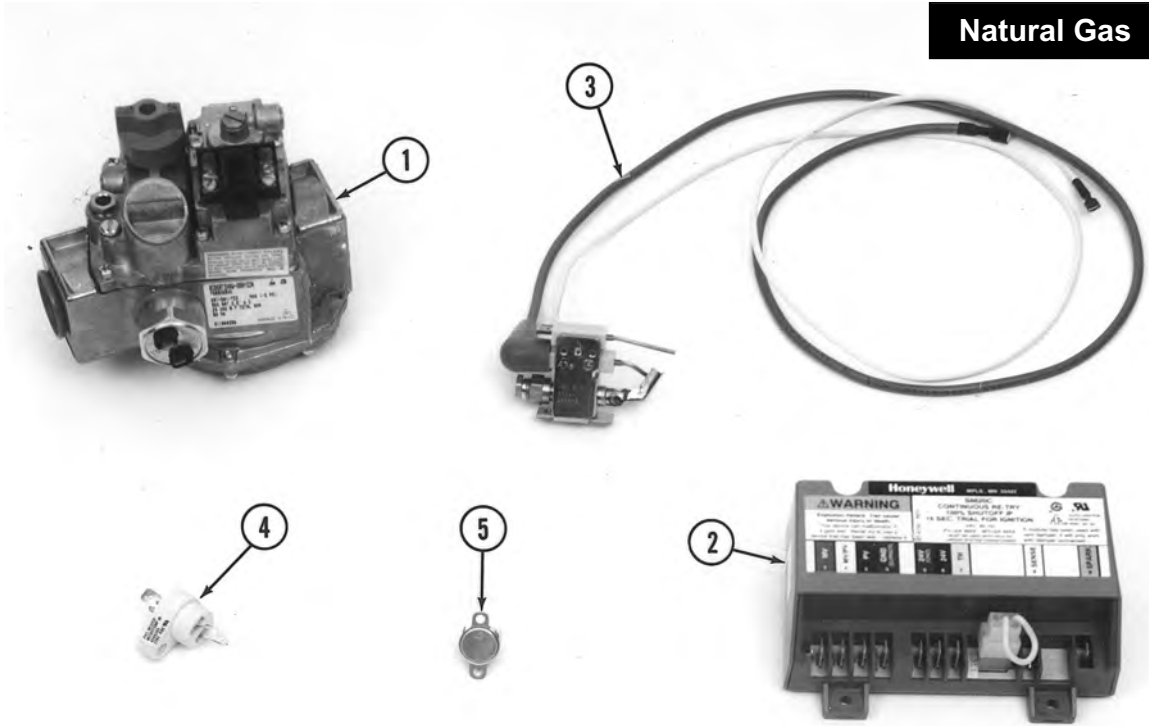
## PFG Standing Pilot Series 3-6

Fig. No.	Part No.	Description	Mfr.	Mfr.'s Part No.	Notes
<b>COMPONENTS FOR NATURAL GAS</b>					
1N	NLA	Combination Gas Valve, 3/4" X 3/4" N.P.T., 24 volt, Natural Gas (PFG 5, Series 3 and 4 only)	Essex	SX242-131111-3262	1
1N		Combination Gas Control Valve, 511-044-219 is <b>OBSELETE</b> and replaced by the Thermocouple to Thermopile conversion kit below	Robertshaw	5A7 501 723	1
2N	560-528-950	Natural Gas Pilot Orifice, A26, .026 Diameter	Honeywell	388146-AG	
NS	510-811-461	Thermocouple to Thermopile conversion kit, natural gas (PFG 6 & 7 only, Series 3 – 7) includes natural gas valve, lead wire, thermopile and instructions	Weil-McLain		
1N	510-811-641	Thermopile gas valve, 3/4" X 1" N.P.T., 24 volt, natural gas (PFG 6 & 7 only, Series 3 - 7)	Robertshaw	5D7 501 723	
<b>COMPONENTS FOR PROPANE GAS</b>					
1P	NLA	Combination Gas Valve, 3/4" X 3/4" N.P.T., 24 volt, propane gas (PFG 5, Series 3 and 4 only)			2
1P		Combination Gas Control Valve, 511-044-277 is <b>OBSELETE</b> and replaced by the Thermocouple to Thermopile conversion kit below	Robertshaw	5A7 502 789	
2P	560-528-957	Propane Gas Pilot Orifice, 0.010 Diameter	Honeywell	388146KR	
NS	510-811-462	Thermocouple to Thermopile conversion kit, propane gas (PFG 6 & 7 only, Series 3 – 7) includes propane gas valve, lead wire, thermopile, and instructions.	Weil-McLain		
1P	510-811-643	Thermopile gas valve, 3/4" X 1" N.P.T., 24 volt, propane gas (PFG 6 & 7 only, Series 3 – 7)	Robertshaw	5D7 502 789	
<b>COMMON COMPONENTS</b>					
3	511-330-186	Pilot Burner, Constant Burning Thermally Supervised	Honeywell	Q327A1642	
4		Thermocouple with Spade Terminal block, is obsolete and replaced by the Thermocouple to Thermopile conversion kit	Honeywell	Q309B1177	
5	560-742-860	Pilot Tubing, 1/8" O.D. alum. X 22-3/4" Long with Compression Fittings	Weil-McLain		
NS	511-724-259	Thermopile, 36" (PFG 6 & 7 only, Series 3 – 7)	Robertshaw	CP-2	
NS	590-850-561	Lead wire, 5" (PFG 6 & 7 only (Series 3 – 7)	Weil-McLain		
N.S.	591-391-879	Wiring Harness PFG-6,7	Weil-McLain		

GAS

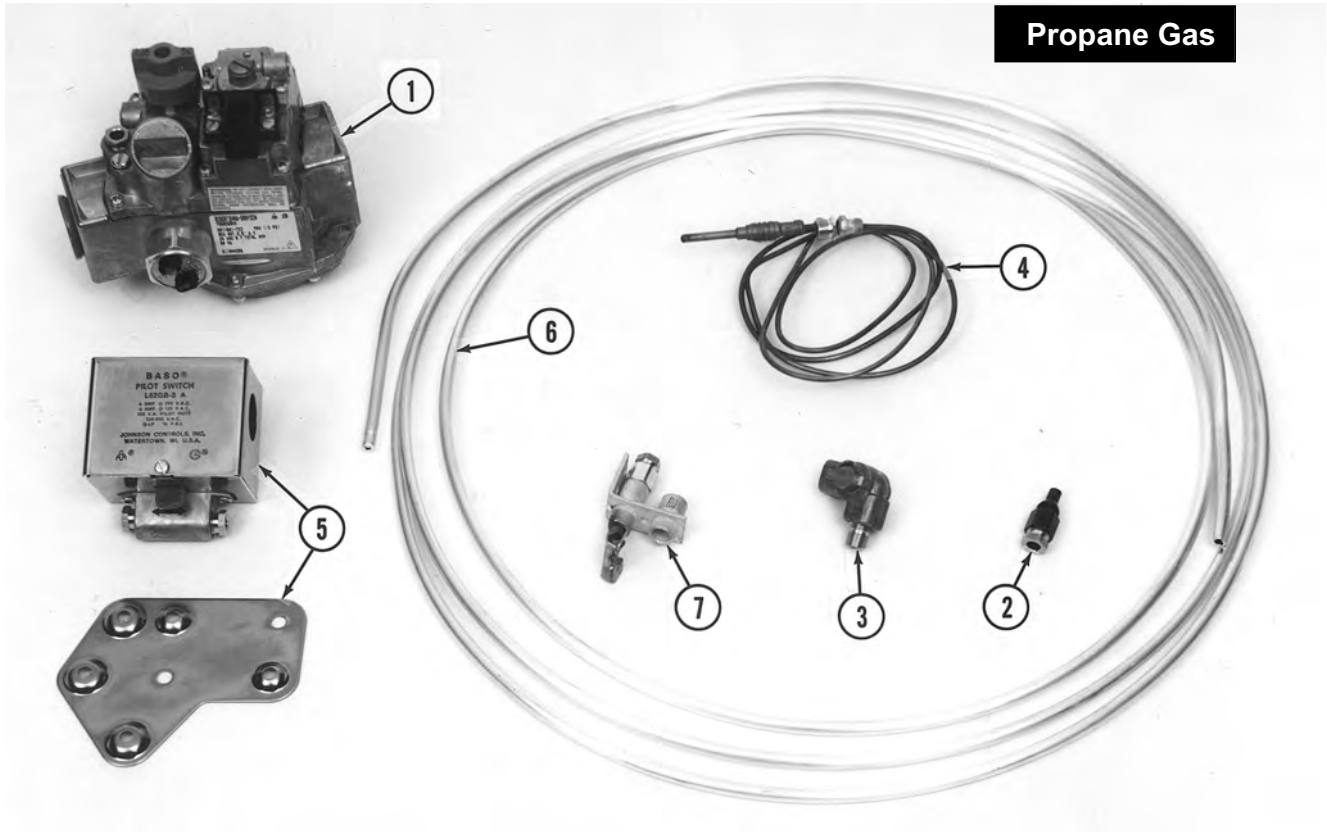
# PFG Intermittent Pilot Series 4-6

Natural Gas



GAS

Propane Gas



**PFG Intermittent Pilot  
Series 4-6**

Fig. No.	Part No.	Description	Mfr.	Mfr.'s Part No.	Notes
<b>COMPONENTS FOR NATURAL GAS</b>					
1N	511-044-382	*Combination Gas Control Valve, 3/4" X 3/4" N.P.T., 24 Volt, PFG-5	Honeywell	VR8304P4348	
	511-044-286	*Combination Gas Control Valve, 3/4" X 1" N.P.T., 24 Volt, PFG-6/7	Robertshaw	5R1 501 723	
	511-044-287	*Combination Gas Control Valve, 1" X 1" N.P.T., 24 Volt, PFG-8	Robertshaw	5N6 501 723	
2N	511-330-097	Ignition-Sensing Control Module without Damper Molex, Series 6	United Technologies	1003-511 1003-611A	
	511-330-095	Ignition-Sensing Control Module with Damper Molex, Series 4 & 5	United Technologies	1003-510	
3N	511-330-221	Pilot Assembly with Ignition Lead and Orifice	Precision Speed Equipment	PSE-NA16	
4	512-050-230	Thermal Fuse Element 229°	Elmwood Sensors	RD226-001	
5	510-300-013	Spill Switch with Reset 210° (PFG-5)	Elmwood Sensors	2455RM-8174-0201	
<b>COMPONENTS FOR PROPANE GAS</b>					
1P	511-044-278	*Combination Gas Control Valve, 3/4" X 1" N.P.T., 24 Volt, PFG-6,7	Robertshaw	5R1 502 789	
	511-044-279	*Combination Gas Control Valve, 1" X 1" N.P.T., 24 Volt, PFG-8	Robertshaw	5N6 502 789	
2P					
	511-330-222	Pilot Assembly with Ignition Lead and Orifice	Precision Speed Equipment	PSE-LP16	
3	511-246-340	Pilot Shut-off Valve, 1/8" N.P.T. X 1/4" CC	Conbraco		
4	511-724-245	Thermocouple, 48"	Honeywell	Q309A2010	
5	511-330-229	Pilot Switch Box	Johnson Controls	L62GB-3C	
6	560-742-905	Aluminum Tubing, 1/4" O.D. X 60"	Weil-McLain		
7	511-330-186	Standing Pilot Burner	Honeywell	Q327A1642	
	591-391-878	Wiring Harness PFG-5 PI	Weil-McLain		
	591-391-880	Wiring Harness PFG-6,7,8 PI	Weil-McLain		
NS	510-811-405	Conversion Kit: Natural to LP PFG 6 & 7 – SP Models only	Weil-McLain		
NS	510-811-406	Conversion Kit: Natural to LP PFG 6 & 7 – PI Models only	Weil-McLain		
NS	510-811-407	Conversion Kit: Natural to LP PFG 8 – PI Models only	Weil-McLain		

GAS