



Replacement parts

Go to www.weil-mclain.com to locate Weil-McLain distributors

▲WARNING Replacement parts must be purchased through a local Weil-McLain distributor. When ordering, specify boiler model and size and include description and part number of replacement part. Results from using modified or other manufactured parts will not be covered by warranty and may damage boiler or impair operation.

NOTICE Weil-McLain part numbers are found in Weil-McLain Boilers and Controls Repair Parts Lists.

▲WARNING The boiler contains ceramic fiber materials. Use care when handling these materials per instructions on page 97 of this manual. Failure to comply could result in severe personal injury.

Figure 108 Miscellaneous parts and kits

Item	Description	Part Number for SlimFit 550/750
1	Condensate neutralizer kit (up to 3000 MBH)	383-600-076
2	Heat exchanger cleaning tool	591-706-200
3	Pressure relief valve ASME 30 PSI, 1 1/4" NPT female ASME 50 PSI, 1 1/4" NPT female ASME 80 PSI, 1 1/4" NPT female (includes new P/T gauge) ASME 100 PSI, 1 1/4" NPT female (includes new P/T gauge)	383-600-093 383-600-101 383-600-299 383-600-298
5	Antifreeze, Sentinel X500 (5 liters) Corrosion inhibitor, Sentinel X100 (5 gallons) Corrosion inhibitor, Sentinel X100 (50 gallons) Inhibitor quick-test kit Cleaner, Sentinel X400 (one tube, 275 ml)	592-900-004 592-900-016 592-900-017 592-900-005 592-900-003
6	Annual maintenance kit consisting of: (1) ignitor (2) washers for ignitor (2) blower connection gaskets (2) ignitor/flame sensor gasket (1) flame sensor (1) length of silicone cord for cleanout (4) screws for ignitor/sensor (1) inhibitor test kit plate	383-600-225
7	Pressure/Temperature Gauge 1/4 NPT 0-75 PSI (for 30 - 50 PSIG relief valves) Pressure/Temperature Gauge 1/4 NPT 0-150 PSI (for 80 - 100 PSIG relief valves)	383-000-000 570-218-055
8	SlimFit Vent/Air Adapter 6 Inch CPVC/PVC – Converts boiler connection to CPVC/PVC diameter.	560-907-739
9	SlimFit Vent/Air Adapter 8 Inch CPVC/PVC – Converts boiler connection to CPVC/PVC diameter.	560-907-738

Vent/air piping components

Vent Manufacturer	Vent Type	Adapter Description	Vent Mfr's P/N
Centrotherm	InnoFlue SW Polypropylene	Tapered 10" to 6" reducer	ISTR1006
		Tapered 10" to 8" reducer	ISTR1008
DuraVent	PolyPro Polypropylene	9.85" to 6" PP (Exhaust)	810007177
		9.85" Adapter to 6" PP (Air)	810007178
		9.85" Adapter to 8" PP (Exhaust)	810007179
		9.85" Adapter to 8" PP (Air)	810007180
	FasNSeal AL29-4C	9.85" Adapter to 6" FNS (Exhaust)	810007181
		9.85" Adapter to 6" FNS (Air)	810007182
		9.85" Adapter to 8" FNS (Exhaust)	810007183
		9.85" Adapter to 8" FNS (Air)	810007184
Heatfab / Selkirk	SAF-T Vent EZ SEAL AL29-4C	SlimFit adapter to 6"	96WMSF
		SlimFit adapter to 8"	98WMSF
MetalFab Inc.	CORR/Guard AL29-4C	SlimFit adapter to 6"	6FCG9WMA
		SlimFit adapter to 8"	8FCG9WMA
Nova Flex Group	Z-Vent AL29-4C	SlimFit Adaptor 6"	2SVESFA1006
		SlimFit adapter 8"	2SVESFA1008



Replacement parts *(continued)*

Go to www.weil-mclain.com to locate Weil-McLain distributors

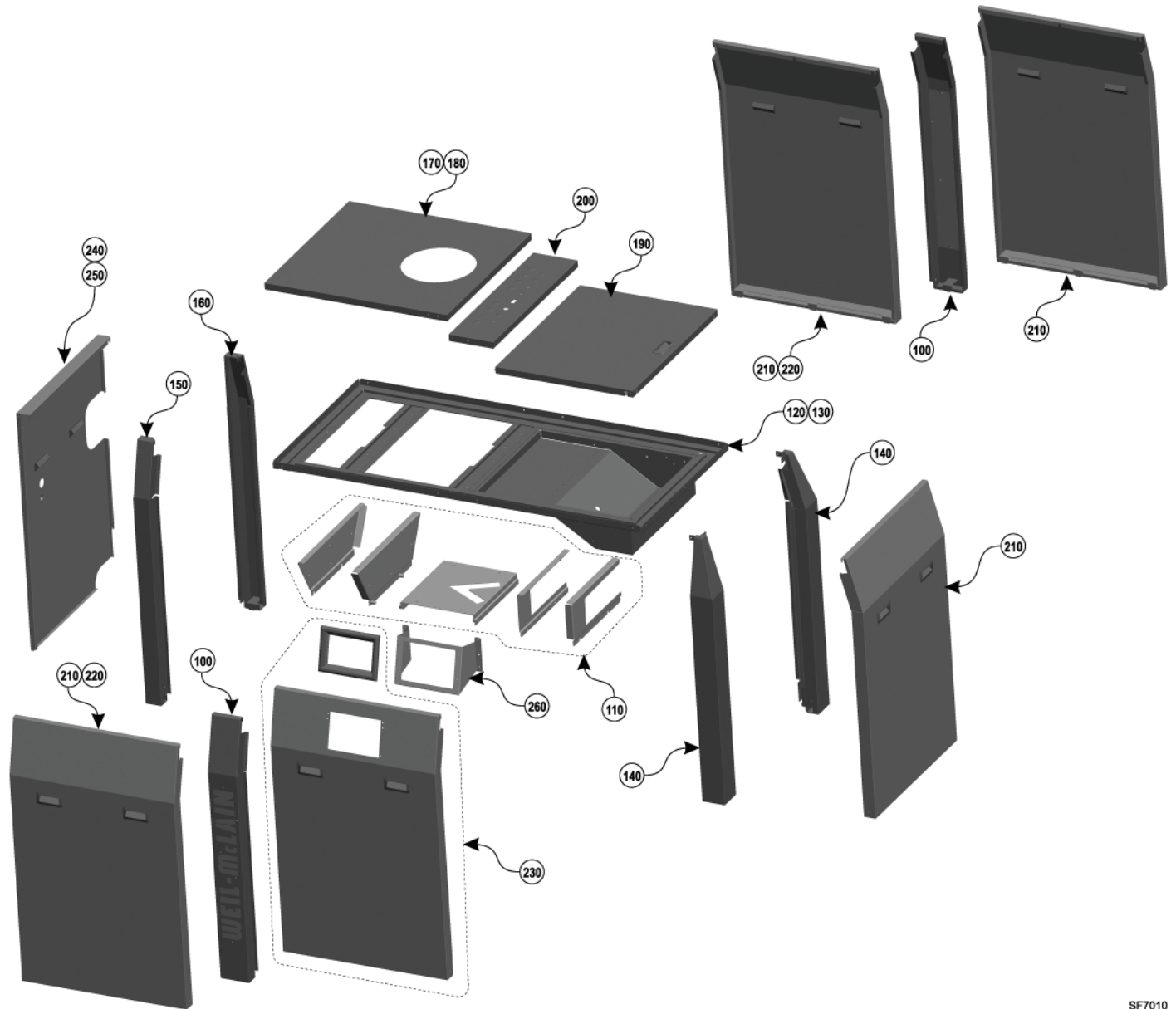
Figure 109 Jacket parts

Item	Description	Part Number for SlimFit 550/750
100	Jacket side post with mounting plate	426-700-330
110	Support frame bracket kit (Frame components, hardware)	383-600-249
120	Jacket top frame kit, SF1000/1500 (Frame, hardware)	383-600-253
130	Jacket top frame kit, SF2000 (Frame, hardware)	383-600-254
140	Jacket corner post, front (Post, hardware)	383-600-258
150	Jacket corner post, back/left	426-700-315
160	Jacket corner post, back/right	426-700-316
170	Jacket top size C, SF1000/1500 (Panel, hardware)	383-600-261
180	Jacket top size D, SF2000 (Panel, hardware)	383-600-262
190	Jacket top size A (Panel, hardware)	383-600-263
200	Jacket top size B (Panel, plugs, hardware)	383-600-265
210	Jacket access door, size B, SF1000/1500 (Panel with handles)	426-700-325
220	Jacket access door, size C, SF2000 (Panel with handles)	426-700-326
230	Door panel, size A (Panel with handles, bezel, hardware)	426-700-329
240	Door panel, size D (Panel with handles)	426-700-327
250	Door panel, size E (Panel with handles)	426-700-328
260	Display panel mounting bracket (Bracket, hardware)	383-600-264



Replacement parts *(continued)*

Figure 110 Jacket parts



SF7010



Replacement parts *(continued)*

Go to www.weil-mclain.com to locate Weil-McLain distributors

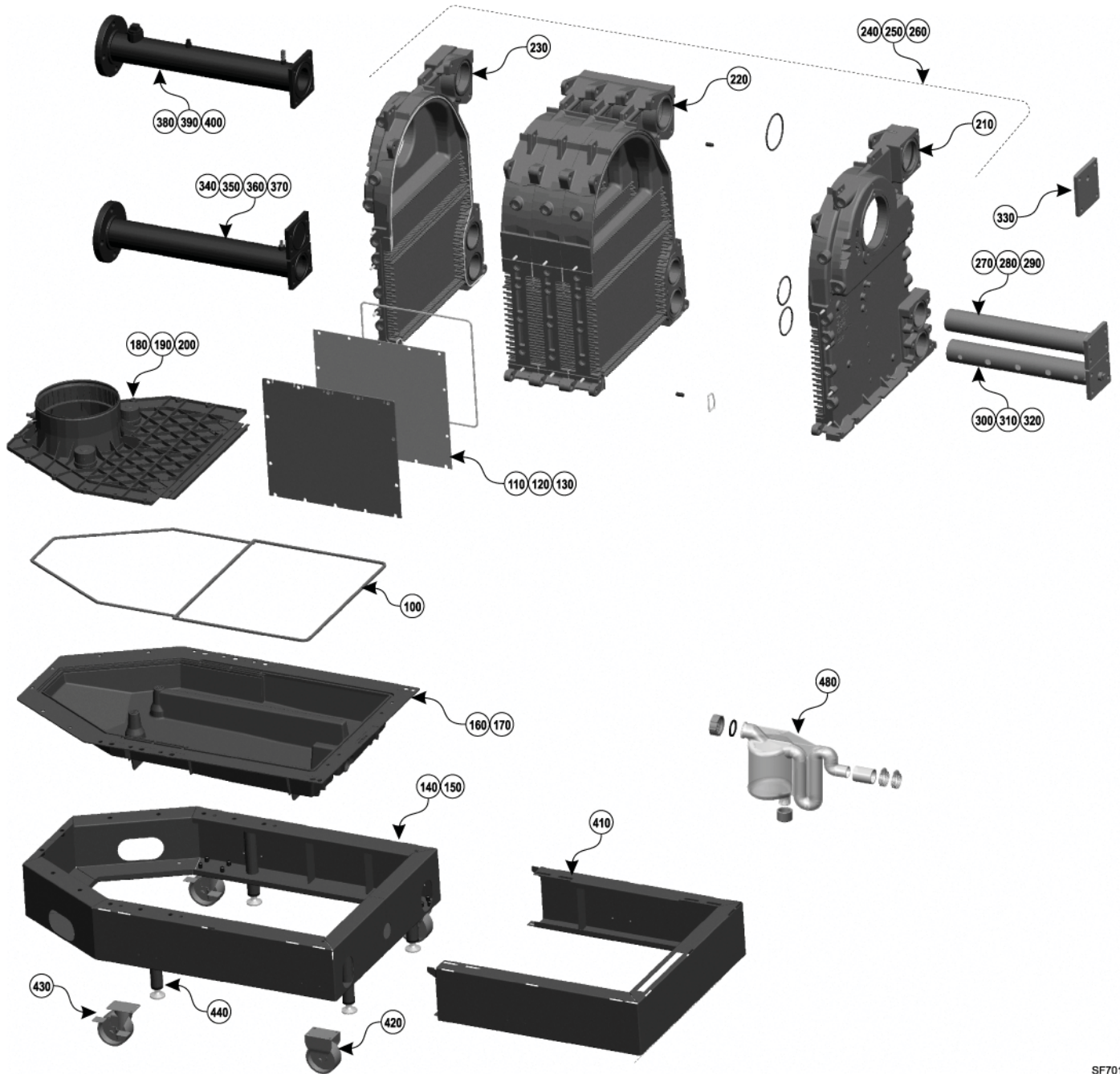
Figure 111 Heat exchanger

Item	Description	Part Number
100	Silicone cord, 10 mm x 100 meters	383-600-201
110	Cleanout plate gasket kit, SF1000 (gasket, silicone sealing cord, hardware)	383-600-202
120	Cleanout plate gasket kit, SF1500 (gasket, silicone sealing cord, hardware)	383-600-203
130	Cleanout plate gasket kit, SF2000 (gasket, silicone sealing cord, hardware)	383-600-204
140	Bottom frame, SF1000/1500 (Frame, casters, hardware, o-ring, silicone sealing cord, silicone sealant)	383-600-205
150	Bottom frame, SF2000 (Frame, casters, hardware, o-ring, silicone sealing cord, silicone sealant)	383-600-206
160	Flue collector base kit, SF1000/1500 (Flue collector, silicone sealing cord, silicone sealant, hardware)	383-600-207
170	Flue collector base kit, SF2000 (Flue collector, silicone sealing cord, silicone sealant, hardware)	383-600-208
180	Flue collar adapter kit, SF1000 (Adapter, silicone sealing cord, gasket, o-ring, flue temperature sensor, hardware)	383-600-209
190	Flue collar adapter kit, SF1500 (Adapter, silicone sealing cord, gasket, o-ring, flue temperature sensor, hardware)	383-600-210
200	Flue collar adapter kit, SF2000 (Adapter, silicone sealing cord, gasket, o-ring, flue temperature sensor, hardware)	383-600-211
210	Heat exchanger front section (Section, silicone sealant, o-rings, hardware)	383-600-212
220	Heat exchanger intermediate sections (Section, silicone sealant, o-rings, hardware)	383-600-213
230	Heat exchanger back section (Section, silicone sealant, o-rings, hardware)	383-600-214
240	Heat exchanger, complete, assembled, SF1000	383-600-215
250	Heat exchanger, complete, assembled, SF1500	383-600-216
260	Heat exchanger, complete, assembled, SF2000	383-600-217
270	Return distribution tube, blank, SF1000 (Tube, flange, o-ring, hardware)	383-600-218
280	Return distribution tube, blank, SF1500 (Tube, flange, o-ring, hardware)	383-600-219
290	Return distribution tube, blank, SF2000 (Tube, flange, o-ring, hardware)	383-600-220
300	Return distribution tube, perforated, SF1000 (Tube, flange, o-ring, hardware)	383-600-221
310	Return distribution tube, perforated, SF1500 (Tube, flange, o-ring, hardware)	383-600-222
320	Return distribution tube, perforated, SF2000 (Tube, flange, o-ring, hardware)	383-600-223
330	Supply cover plate with LWCO port (plate, o-ring, hardware)	383-600-224
340	Return cover plate, blank (plate, o-ring, hardware) (Not shown)	383-600-228
350	Return manifold with flange, SF2000 (Manifold, flange, o-ring, temperature sensor, sealant)	383-600-229
360	Return manifold with flange, SF1500 (Manifold, flange, o-ring, temperature sensor, sealant)	383-600-276
370	Return manifold with flange, SF1000 (Manifold, flange, o-ring, temperature sensor, sealant)	383-600-277
380	Supply manifold with flange, SF2000 (Manifold, flange, o-ring, temperature sensor, sealant)	383-600-230
390	Supply manifold with flange, SF1500 (Manifold, flange, o-ring, temperature sensor, sealant)	383-600-278
400	Supply manifold with flange, SF1000 (Manifold, flange, o-ring, temperature sensor, sealant)	383-600-279
410	Bottom end rail kit	383-600-248
420	Caster kit, non-swivel (Caster, hardware)	383-600-270
430	Caster kit, swivel (Caster, hardware)	383-600-271
440	Leveling leg kit (Leveling leg, adapter)	383-600-272
460	Support frame bracket (Frame, hardware) (Not shown)	383-600-289
470	Hex head plug, 1/8 BSP, SS (Not shown)	561-431-484
480	Condensate trap coupling assembly	561-013-872



Replacement parts *(continued)*

Figure 112 Heat exchanger



SF7011



Replacement parts *(continued)*

Go to www.weil-mclain.com to locate Weil-McLain distributors

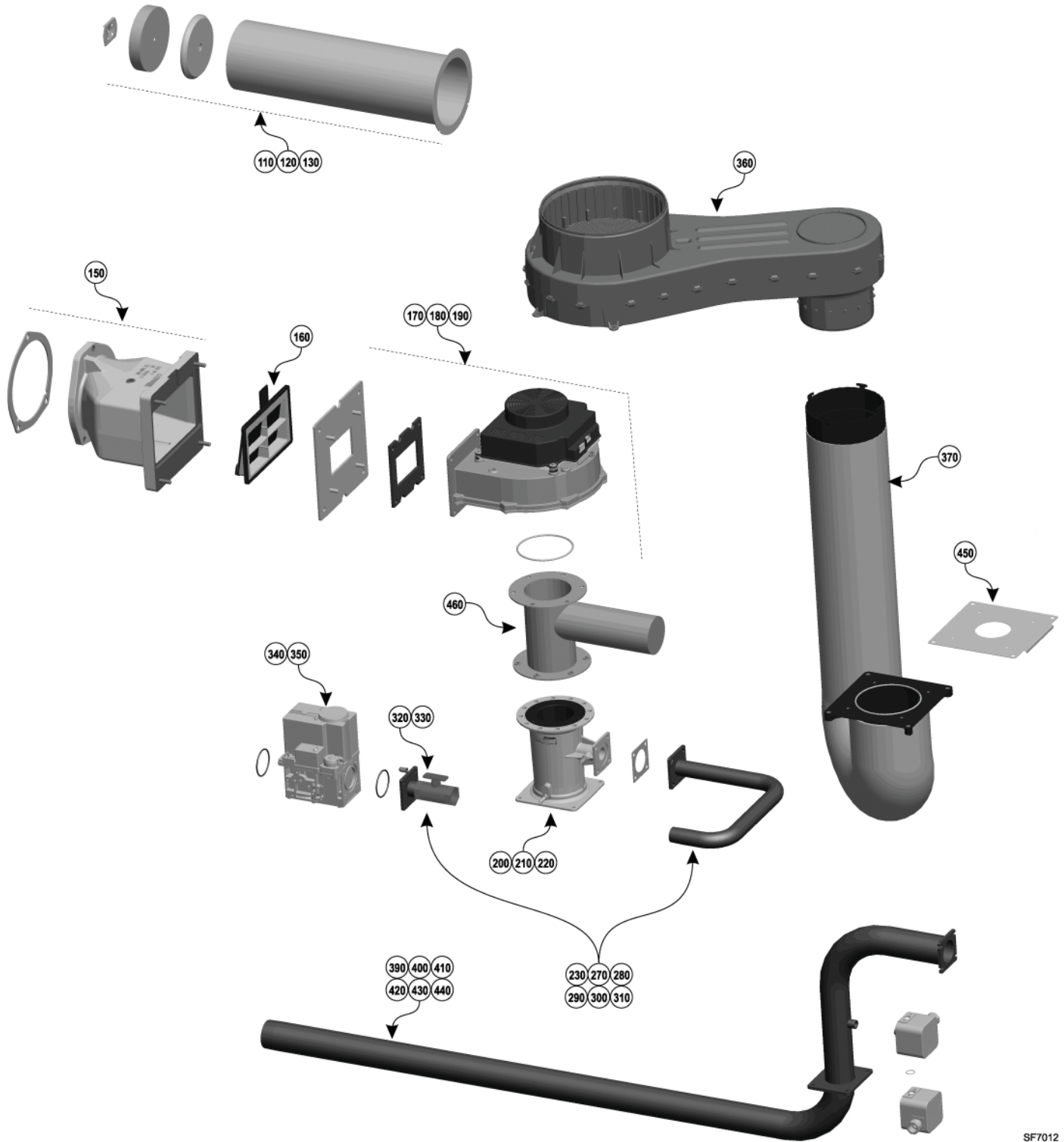
Figure 113 Burner, blower, venturi and gas train

Item	Description	Part Number
100	Piping end combustion chamber access plate kit (plate, gasket, insulation, hardware) (Not shown)	383-600-231
110	Burner kit, SF2000 (burner, insulation ring, plate, hardware)	383-600-232
120	Burner kit, SF1500 (burner, insulation ring, plate, hardware)	383-600-280
130	Burner kit, SF1000 (burner, insulation ring, plate, hardware)	383-600-281
140	Burner cover plate kit (plate, insulation, hardware) (Not shown)	383-600-233
150	Mixing tube kit (Mixing tube, flapper valve, gasket, hardware)	383-600-234
160	Flapper valve kit (flapper valve, hardware)	383-600-235
170	Blower kit, SF2000 (blower, o-ring, hardware)	383-600-236
180	Blower kit, SF1500 (blower, o-ring, hardware)	383-600-282
190	Blower kit, SF1000 (blower, o-ring, hardware)	383-600-283
200	Venturi kit, SF2000 (venturi, o-ring, gasket, hardware)	383-600-237
210	Venturi kit, SF1500 (venturi, o-ring, gasket, hardware)	383-600-284
220	Venturi kit, SF1000 (venturi, o-ring, gasket, hardware)	383-600-285
230	Gas manifold, SF1000L (Manifold, gasket, manual gas valve, o-rings, hardware)	383-600-238
270	Gas manifold, SF1000R (Manifold, gasket, manual gas valve, o-rings, hardware)	383-600-239
280	Gas manifold, SF1500L (Manifold, gasket, manual gas valve, o-rings, hardware)	383-600-240
290	Gas manifold, SF1500R (Manifold, gasket, manual gas valve, o-rings, hardware)	383-600-241
300	Gas manifold, SF2000L (Manifold, gasket, manual gas valve, o-rings, hardware)	383-600-242
310	Gas manifold, SF2000R (Manifold, gasket, manual gas valve, o-rings, hardware)	383-600-243
320	Manual gas valve, T-handle, SF1000/1500	383-600-244
330	Manual gas valve, T-handle, SF2000	383-600-245
340	Automatic gas valve kit, SF2000 (Automatic valve, plastic reference line tubing, hardware)	383-600-246
350	Automatic gas valve kit, SF1000/1500 (Automatic valve, plastic reference line tubing, hardware)	383-600-286
360	Air inlet box kit (Box, hardware)	383-600-251
370	Air inlet hose kit (Hose, hardware)	383-600-252
390	Gas manifold pipe kit, SF1000L (Pipe, sealant, gasket, hardware)	383-600-291
400	Gas manifold pipe kit, SF1000R (Pipe, sealant, gasket, hardware)	383-600-292
410	Gas manifold pipe kit, SF1500L (Pipe, sealant, gasket, hardware)	383-600-293
420	Gas manifold pipe kit, SF1500R (Pipe, sealant, gasket, hardware)	383-600-294
430	Gas manifold pipe kit, SF2000L (Pipe, sealant, gasket, hardware)	383-600-295
440	Gas manifold pipe kit, SF2000R (Pipe, sealant, gasket, hardware)	383-600-296
450	Orifice plate	SF1000 383-600-301 SF1500 383-600-302 SF2000 383-600-303
460	Acoustic adapter, SF1000 only	383-600-307



Replacement parts *(continued)*

Figure 114 Burner, blower, venturi and gas train



SF7012



Replacement parts *(continued)*

Go to www.weil-mclain.com to locate Weil-McLain distributors

Figure 115 Controls

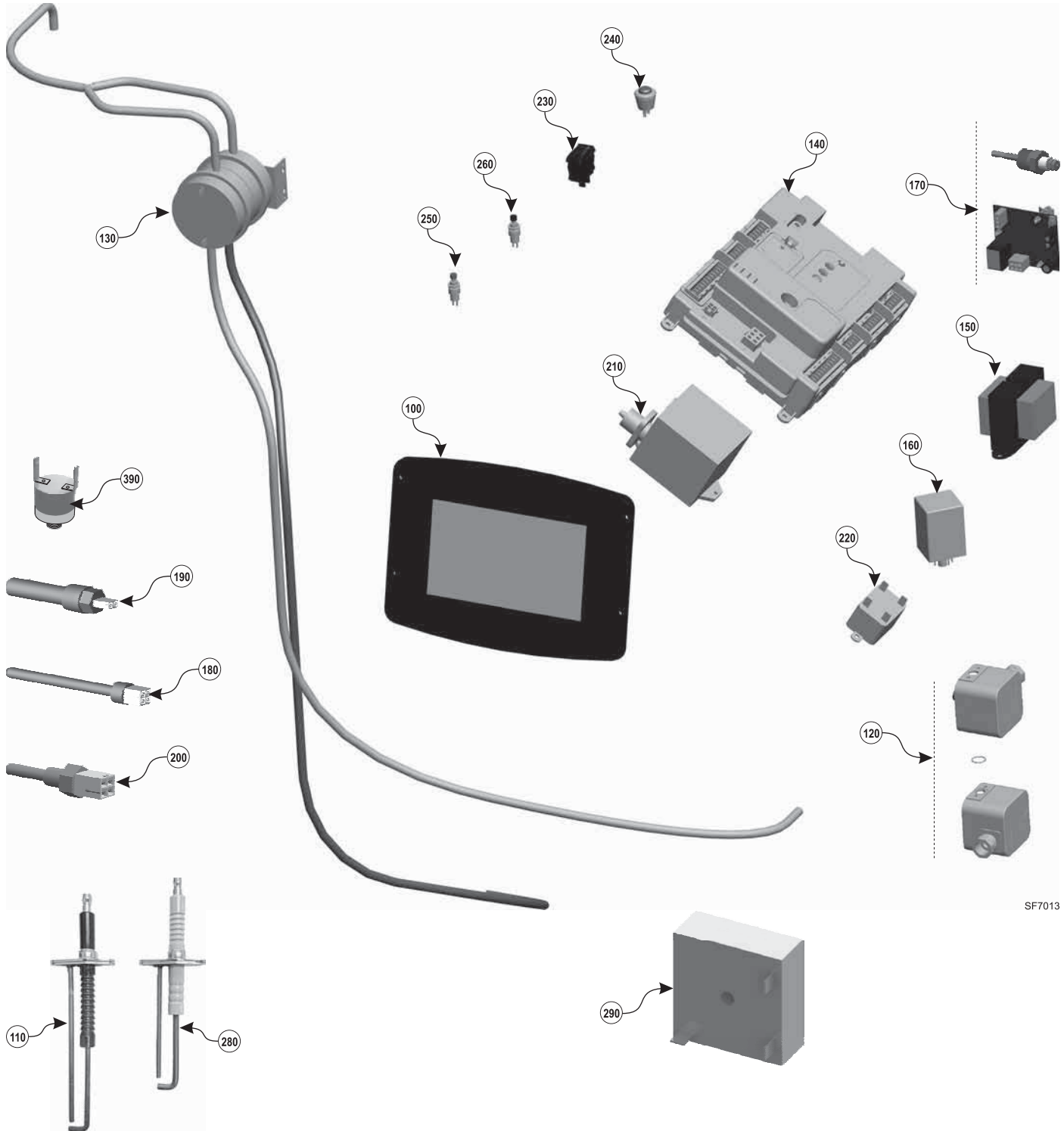
Item	Description	Part Number
100	Display panel kit	383-600-200
110	Ignitor kit (ignitor, gasket, hardware, ground harness)	383-600-226
120	Gas pressure switch kit (High/low pressure switches, hardware, sealant)	383-600-247
130	Pressure switch kit (Pressure switches, hoses, hardware)	383-600-308
140	Weil-McLain Sola control module kit (Module, hardware)	SF1000 383-600-255 SF1500 383-600-305 SF2000 383-600-306
150	Control transformer, 120/24 VAC	511-802-015
160	Blower relay (without socket)	570-350-231
170	LWCO kit (Circuit board, probe)	383-600-288
180	Flue temperature sensor kit (Sensor, gasket)	383-600-290
190	Temperature sensor, single – 1/4" NPT Return Water Sensor	571-724-295
200	Temperature sensor, dual – 1/8" NPT Supply Water Sensor	571-724-297
210	Ignition module	511-330-436
220	Minimum air flow switch relay	570-250-232
230	Boiler On/Off switch	383-500-205
240	Boiler reset switch	511-624-659
250	LWCO reset switch (red button) (part of control wiring harness)	Not available
260	LWCO test switch (black button) (part of control wiring harness)	Not available
270	Control circuit fuse (2-amp, 24-volt) (not shown) (part of control wiring harness)	591-850-191
280	Flame sensor kit	383-600-300
290	Time delay relay kit (single)	383-600-309
300	Harness-Wiring Low Water Cutoff Reset	591-391-766
310	Harness-Wiring Flame Sensor	591-391-767
320	Harness-Wiring Blower Control	591-391-768
330	Harness-Wiring Ground	591-391-770
340	Harness-Wiring Gas Pressure Switch	591-391-771
350	Harness-Wiring Main Bottom	591-391-773
360	Harness-Wiring Main Top	591-391-774
370	Harness-Wiring Auxiliary Bottom	591-391-775
380	Harness-Wiring Auxiliary Top	591-391-776
390	Heat Exchanger Thermal Switch	511-624-660

Go to www.weil-mclain.com to locate Weil-McLain distributors



Replacement parts *(continued)*

Figure 116 Controls



SF7013