

Replacement parts

WARNING

Replacement parts must be purchased through a local Weil-McLain distributor. When ordering, specify boiler model and size and include description and part number of replacement part. Results from using modified or other manufactured parts will not be covered by warranty and may damage boiler or impair operation.

NOTICE

Weil-McLain part numbers are found in Weil-McLain Boilers and Controls Repair Parts Lists.

WARNING

The boiler contains ceramic fiber materials. Use care when handling these materials per instructions on page 29 of this manual. Failure to comply could result in severe personal injury.

Replace boiler jacket front door after startup or servicing

WARNING

Replace boiler jacket front door after start or servicing. The boiler front door must be securely fastened to the boiler to prevent boiler from drawing air from inside the boiler room. This is particularly important if the boiler is located in the same room as other appliances. Failure to keep the door securely fastened could result in severe personal injury or death.

Miscellaneous parts and kits

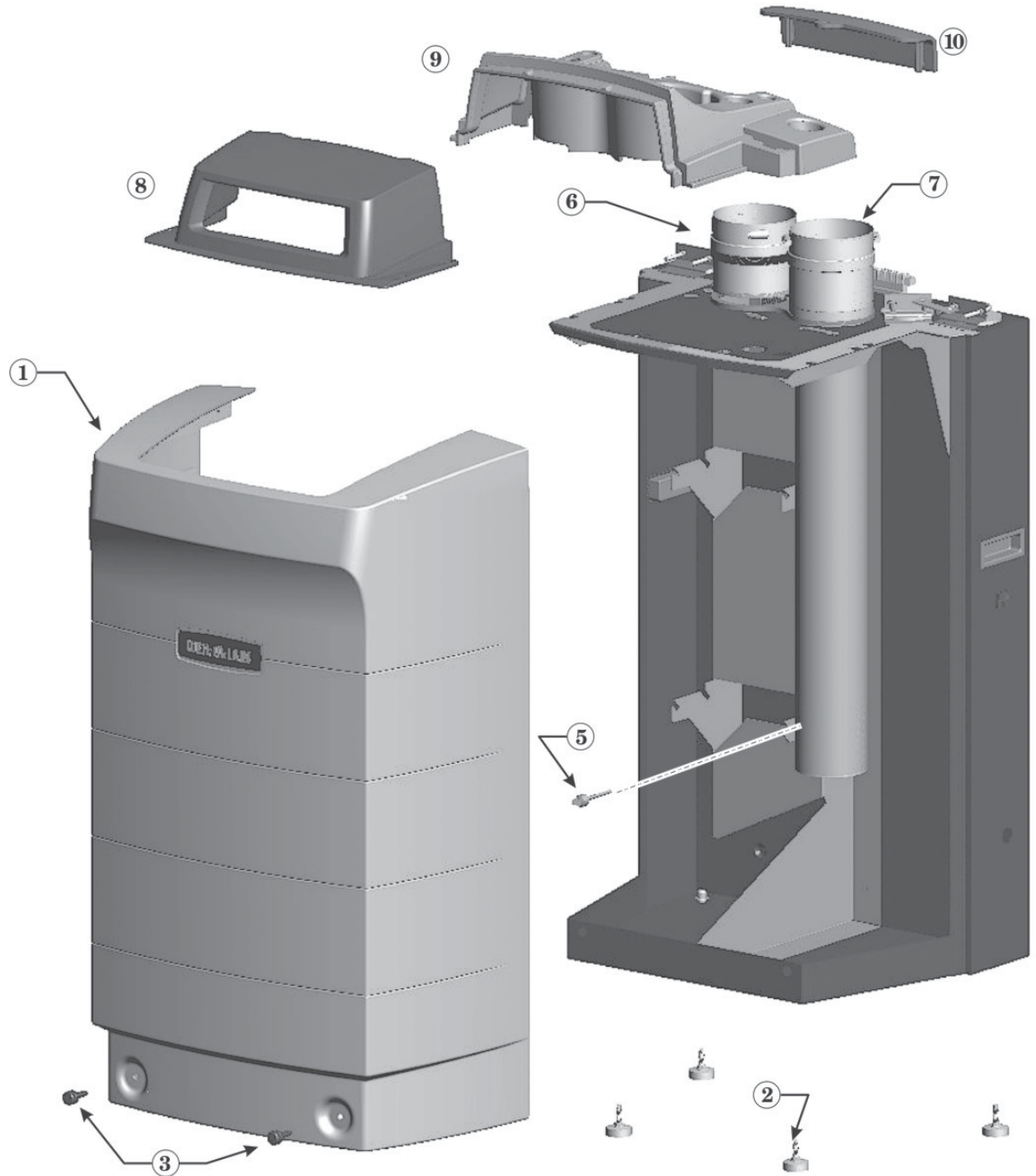
Item	Description	Part Number
1	Pressure relief valve, ASME 30 PSI, ¾" npt male, (watts #330)	383-500-095
2	Boiler circulator, without flanges Ultra-80 & -105 Taco Model 007 Ultra-155, -230 & -310 . Taco Model 0011	511-405-113 511-405-124
3	Circulator hardware kit – inlet, 1" (1 flange, 2 nuts, 2 screws, and 1 gasket) (Ultra-80 to -230)	381-354-525
4	Circulator hardware kit (flange, nuts, screws, and gasket) Ultra-80 to -310, 1¼" Ultra-310, 1½"	381-354-526 381-354-531
5	Sidewall vent termination kit 3" vent 4" vent	383-500-397 383-500-398
6	Vent termination bird screen (2 required for Ultra-80, -105 & -155)	3" vent 383-500-105
7	Vent termination bird screen (2 required for Ultra-230 & -310 only)	4" vent 383-500-110
8	Natural to propane conversion kit for Ultra-80 Natural to propane conversion kit for Ultra-105 (orifice bag assembly)	383-501-020 540-100-001
9	Propane to natural conversion kit for Ultra-80	383-501-021
10	Natural to propane conversion kit for Ultra-155 (orifice bag assembly) Natural to propane conversion kit for Ultra-230 (orifice bag assembly) Natural to propane conversion kit for Ultra-310 Series 2 (orifice bag assembly)	383-500-115 383-500-120 540-202-831
11	Alarm control kit	383-500-080
12	Outdoor temperature sensor	383-500-125

Replacement parts *(continued)***Jacket parts**

Item	Description	Part Number
1	Jacket front door	383-500-135
2	Boiler leg kit	4 Required 383-500-065
3	Knurled head screw for jacket front door	2 Required 383-500-320
4	Knurled head screw clip-on receptacle (not shown)	2 Required 383-500-180
5	Flue temperature sensor replacement kit	383-500-055
6	Air adapter assembly (Includes adapter, gasket and mounting bracket)	
	Ultra-80, -105, -155, 3"	383-500-145
	Ultra-230, -310, 4"	383-500-150
7	Flue outlet pipe adapter	Ultra-80 & -105, 3" Ultra-155, 3" Ultra-230, -310, 4" 560-900-001 383-500-155 383-500-160
8	Top cover, front	383-500-165
9	Top cover, rear	Ultra-80 to -230 Ultra-310 383-500-170 595-000-006
10	Electrical cabinet door	383-500-175

Replacement parts *(continued)*

Jacket parts



U034

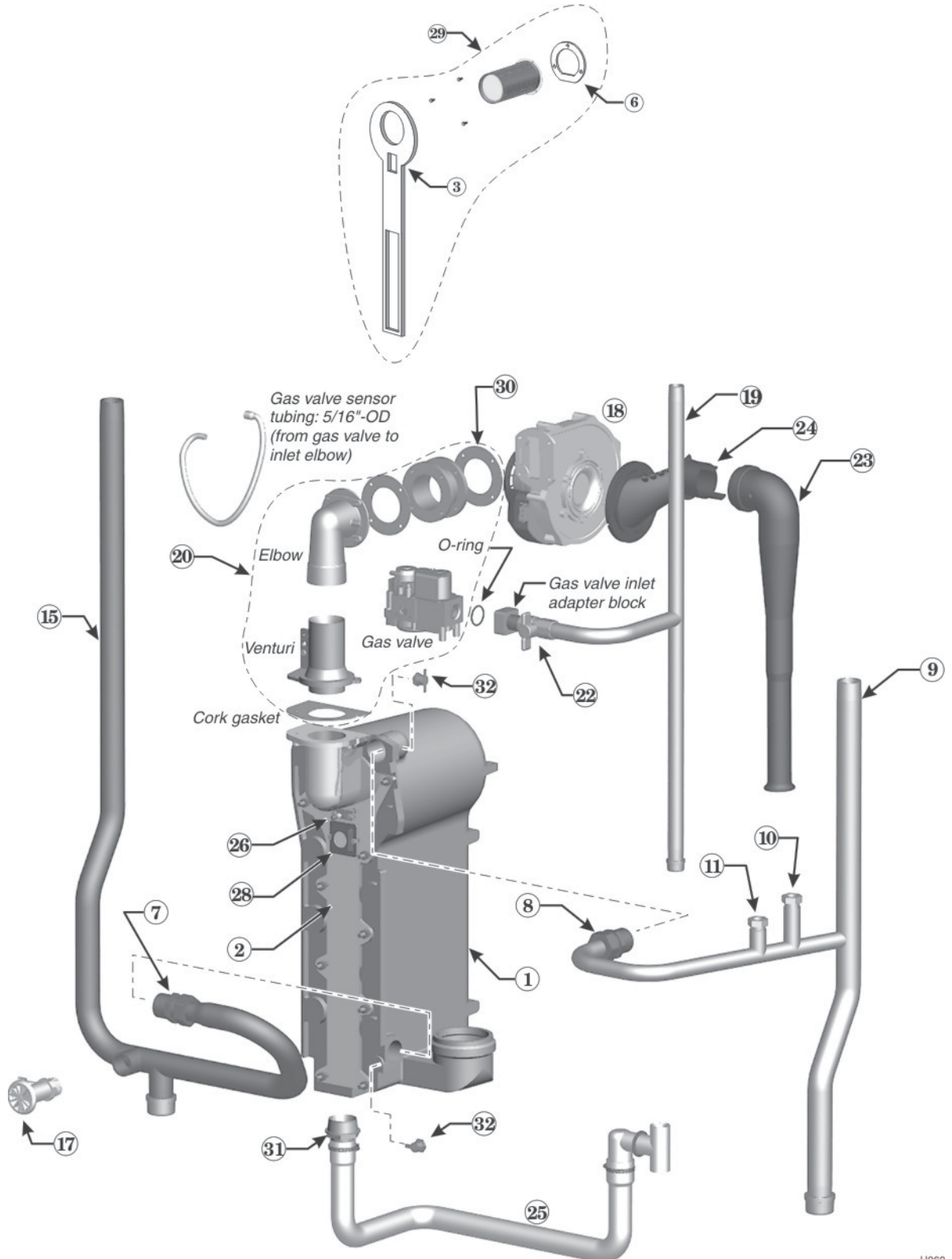
Replacement parts *(continued)*

Heat exchanger and piping — Ultra-80 & -105

Item	Description	Boiler Models	Part Number
1	Heat exchanger replacement kit — Heat exchanger, cover plate, burner, electrode, water sensors, compression fittings, condensate fitting, gaskets, and hardware	Ultra-80NG Ultra-80LP Ultra-105	383-501-023 383-501-024 383-501-035
2	Cover plate replacement kit — Cover plate, cover plate gasket, burner gasket, and hardware	Ultra-80, -105	383-501-022
3	Cover plate gasket/insulation	Ultra-80, -105	591-200-000
6	Burner gasket	Ultra-80, -105	590-300-000
7	Water compression fitting, 28 mm	Ultra-80, -105	383-500-260
8	Water compression fitting, 22 mm	Ultra-80, -105	564-100-002
9	Water supply piping assembly — Pipe, temperature well, check valve, cap (assembled) & compression fitting	Ultra-80, -105	383-501-036
10	½" NPT well for temperature gauge	All	383-500-270
11	Pressure/temperature gauge check valve	All	383-500-275
15	Return water pipe assembly — Pipe, drain valve, cap (assembled) & compression fitting	Ultra-80, -105	383-501-037
17	Boiler drain valve, ¾" NPT	All	511-246-392
18	Blower assembly kit — Blower, gasket, and hardware	Ultra-80, -105	383-501-027
19	Gas pipe assembly — Gas pipe, shut-off valve, 1 1/2" nipple, adapter block, O-ring, and hardware	Ultra-80, -105	383-501-038
20	Gas valve/venturi kit — Gas Valve, venturi, 90° elbow, gaskets, and hardware (assembled) (For LP boilers, make sure to reinstall the existing propane orifice.)	Ultra-80	383-501-029
	Gas valve/venturi kit — Gas Valve, venturi, 90° elbow, gaskets, and hardware (assembled) (For LP boilers, make sure to reinstall the existing propane orifice.)	Ultra-105	383-501-030
22	Manual gas valve, ½" NPT	Ultra-80, -105	Obtain locally
23	Air silencer kit — Air silencer and gasket	Ultra-80, -105	383-501-026
24	Air silencer adapter kit — Air silencer adapter and hardware	Ultra-80, -105	383-501-025
25	Condensate trap kit — Condensate trap, hose clamps, pvc fittings, and gasket	Ultra-80, -105	383-501-031
26	Ignition electrode kit — Ignition electrode, suppressor, gasket, and hardware	All	383-500-045
27	Ignition cable kit (not shown) — Ignition cable, suppressor, and wire tie	All	383-500-050
28	Inspection glass kit — Bracket, glass, gasket, and hardware	All	383-500-020
29	Burner replacement kit — Burner, gaskets and hardware	Ultra-80NG Ultra-80LP Ultra-105	383-501-032 383-501-033 383-501-034
30	Gasket	Ultra-80, -105	590-300-003
31	Condensate fitting	Ultra-80, -105	561-200-000
32	Return/supply sensor kit — (1) sensor	All	383-500-300

Replacement parts *(continued)*

Heat exchanger and piping — Ultra-80 & -105



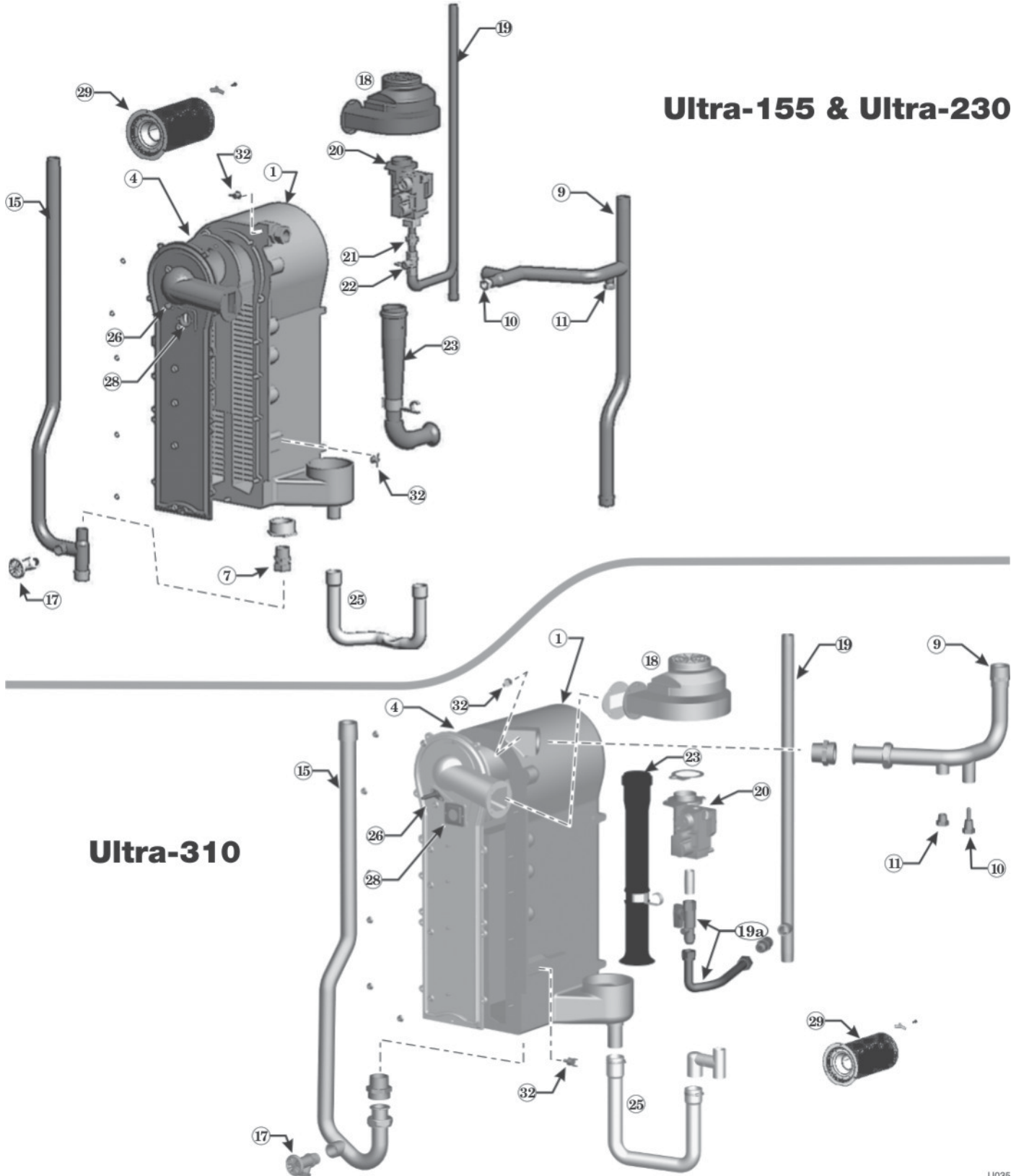
Replacement parts *(continued)*

Heat exchanger and piping — Ultra-155 to -310

Item	Description	Boiler Models	Part Number
1	Heat exchanger replacement kit — Heat exchanger, cover plate, burner, electrode, water sensors, compression fittings, gaskets, and hardware	Ultra-155 Ultra-230 Ultra-310	383-500-070 383-500-075 383-500-375
2	Cover plate replacement kit — Cover plate, cover plate gasket, burner gasket, and hardware	-155/-230/-310	383-500-395
4	Cover plate insulation	-155/-230/-310	383-500-250
5	Cover plate gasket (not shown)	-155/-230/-310	383-500-255
7	Water compression fitting, 28 mm	Ultra-155/-230	383-500-260
9	Water supply piping assembly — Pipe, temperature well, check valve, cap (assembled) & compression fitting	Ultra-155/-230 Ultra-310	383-501-036 383-500-380
10	½" NPT well for temperature gauge	All	383-500-270
11	Pressure/temperature gauge check valve	All	383-500-275
14	Return water bushing, 1¼" BSP x 1" BSP (not used on Ultra-310)	Ultra-155/-230	383-500-280
15	Return water pipe assembly — Pipe, drain valve, cap (assembled) & compression fitting	Ultra-155/-230 Ultra-310	383-500-285 383-500-385
17	Boiler drain valve, ¾" NPT	All	511-246-392
18	Blower assembly kit — Blower, gasket, and hardware	Ultra-155	383-500-035
	Blower assembly kit — Blower, gasket, molex adapter, and hardware	Ultra-230	383-500-040
	Blower assembly kit — Blower, gasket, and hardware	Ultra-310	383-500-360
19	Gas pipe assembly — Gas pipe and shut-off valve	Ultra-155/-230 Ultra-310	383-500-290
	Gas pipe (Ultra-310 only)		560-907-679
19a	Flexible gas line section and shut-off valve (Ultra-310 only)	Ultra-310	560-900-016
20	Gas valve/venturi kit — Gas Valve/venturi assembly, adapter block, O-ring and hardware (For LP boilers, make sure to reinstall the existing propane orifice.)	Ultra-155 Ultra-230 Ultra-310	383-500-025 383-500-030 383-500-390
21	Ground joint union, ½" NPT	Ultra-155/-230	Obtain locally
22	Manual gas valve, ½" NPT	Ultra-155/-230	Obtain locally
23	Air silencer kit — Air silencer and gasket	Ultra-155/-230 Ultra-310	383-500-295 383-500-355
25	Condensate trap kit — Condensate trap, hose clamps, pvc fittings, and gasket	Ultra-155 Ultra-230 Ultra-310	383-501-031 383-500-060 383-500-365
26	Ignition electrode kit — Ignition electrode, suppressor, gasket, and hardware	All	383-500-045
27	Ignition cable kit (not shown) — Ignition cable, suppressor, and wire tie	All	383-500-050
28	Inspection glass kit — Bracket, glass, gasket, and hardware	All	383-500-020
29	Burner replacement kit — Burner, gaskets and hardware	Ultra-155 Ultra-230 Ultra-310	383-500-085 383-500-090 383-500-407
32	Return/supply sensor kit — (1) sensor	All	383-500-300

Replacement parts *(continued)*

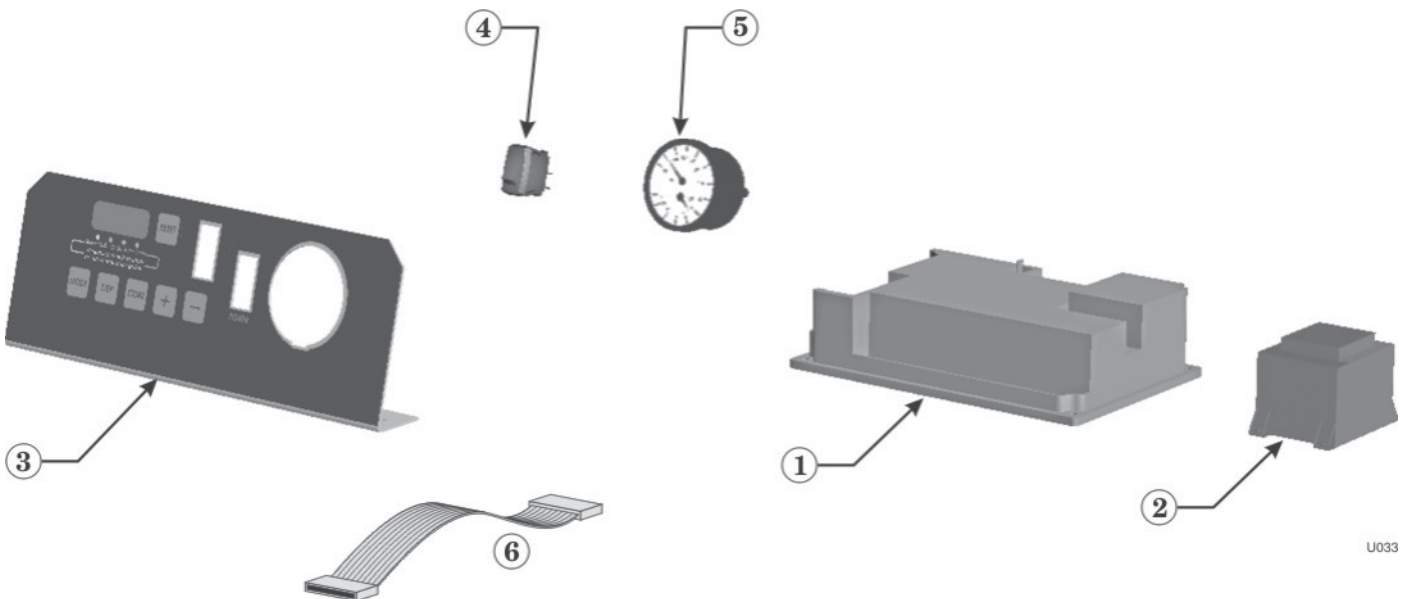
Heat exchanger and piping — Ultra-155 to -310



Replacement parts *(continued)*

Controls

Item	Description	Part Number
1	Ultra control module Ultra-80/105/155/230 Ultra-310	383-500-190 511-330-258
2	Transformer, 120v/24v	383-500-195
3	Display board kit (Includes display with data port, bracket, label, off-set and dust cover)	383-500-408
4	On/off power switch	383-500-205
5	Pressure/temperature gauge assy., (Includes temperature and pressure sensor)	383-500-210
6	Ribbon cable, control module to display board	383-500-215
7	Low voltage wire harness assembly for Ultra-80 & -105 (not shown) Low voltage wire harness assembly for Ultra-155 & -230 (not shown) Low voltage wire harness assembly for Ultra-310 (not shown)	591-300-002 383-500-220 591-391-941
8	Line voltage wire harness assembly for Ultra-80 & -105 (not shown) Line voltage wire harness assembly for Ultra-155 & -230 (not shown) Line voltage wire harness assembly for Ultra-310 (not shown)	591-300-001 383-500-230 591-391-940
9	Control module fuses (not shown) F1 — 5-amp, fast-blow (5 fuses) F3 — 4-amp, slow-blow (5 fuses)	383-500-235 383-500-240
10	120 volt, 3-wires receptacle (not shown)	383-500-245
11	Circulator relay (Ultra-310 only, not shown) White-Rodgers 90-362 SPST, 120 VAC	510-350-200



U033