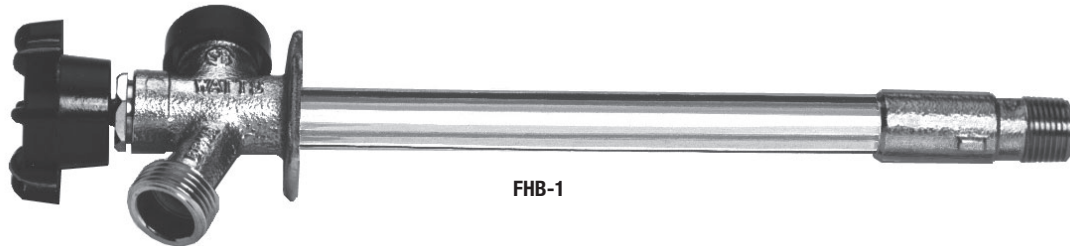


Series FHB-1, FHB-2 Anti-Siphon Frost-Proof Sill Cock

Freezeless, Self-draining Wall Hydrant

Sizes: 1/2", 3/4" (15, 20mm)



Installation Instructions

In addition to protection from freezing, the anti-siphon protects against possible outside water being siphoned back into the water supply system.

Provides a year round supply of outside water without fear of pipes freezing and bursting. Hose must be removed to allow water to drain to prevent freezing.

Series:

FHB-1	Inlet 1/2" copper or male I.P.S.
FHB-2	Inlet 3/4" male I.P.S. or 1/2" female I.P.S.
FHB-2-3/4	Inlet 3/4" copper or 3/4" male I.P.S.

INSTALLERS PLEASE NOTE:

- Hose end must be installed sufficiently lower than seat end to allow for proper drainage.
- Open valve before heating seat end for solder connection to avoid burning the rubber seat washer.

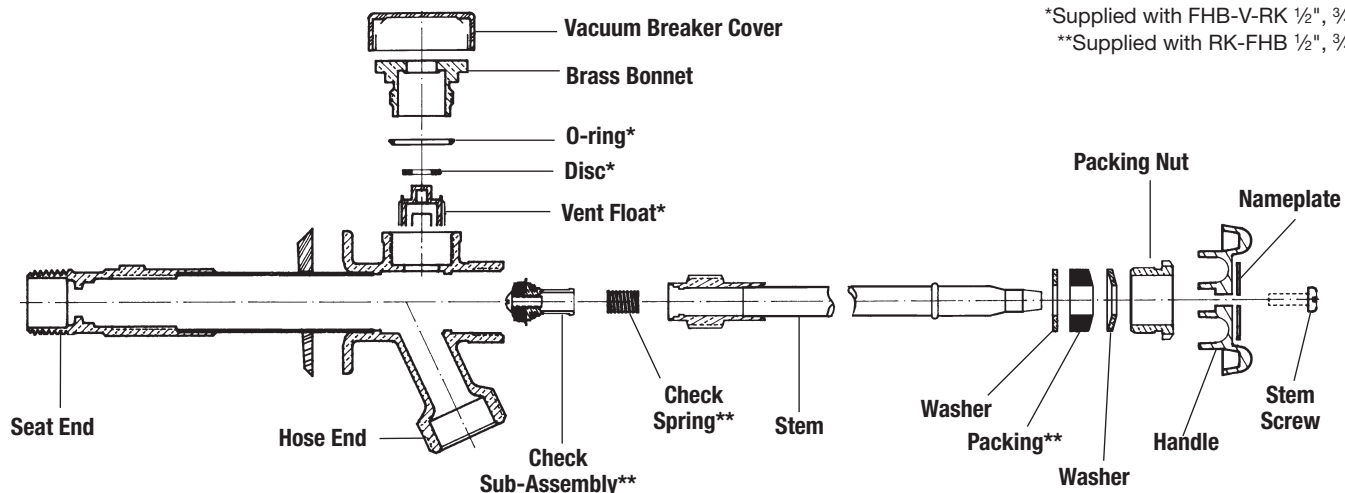
The frost-proof sill cock assures no-freeze operation because the valve mechanism shuts off water inside the building, where it is heated. If building will be unheated for any length of time, then all water lines should be drained and plumbing fixtures winterized.



A plastic siding wedge is provided to compensate for lap siding installations. Slip the wedge between frost-proof flange and siding to form an attractive finish and solid base for mounting.

Secure sill cock flange with two #8 or #10 ovalhead wood screws (of proper length) or with appropriate masonry hardware.

See back page for Repair Kit and Servicing information.



*Supplied with FHB-V-RK 1/2", 3/4"
 **Supplied with RK-FHB 1/2", 3/4"

Repair Kits

Ordering Code No.	Kit No.	Valve Series	Size
0723064	FHB-V-RK 1/2", 3/4"	FHB	All
0723061	FHB-FHB 1/2", 3/4"	FHB	All

FHB-V-RK 1/2", 3/4" consists of: bonnet O-ring, disc, and vent float.

RK-FHB 1/2", 3/4" consists of: check sub-assembly, check spring and stem packing.

Service – Repair Kits (FHB)

For repair to the stem assembly (RK-FHB 1/2", 3/4") *See Important Note.

1. Remove handle screw, handle and nameplate. Unscrew packing nut and remove 2 packing washers and packing. Using handle, unscrew stem assembly until threads disengage and slide out.
2. Remove old check sub-assembly by pulling it straight out from the end of the check stem. Remove old check spring. Replace with new check stem and check sub-assembly. (Push new assembly in by hand).
3. Reinsert stem assembly by following step 1 in reverse.

For Repair to the vent float assembly (FHB-V-RK 1/2", 3/4") *See Important Note.

1. Unsnap plastic vacuum breaker cover. Then unscrew brass bonnet from valve body. Remove vent float and disc assembly.
2. Remove old o-ring from the brass bonnet and replace with the new o-ring.
3. Reinsert new vent float sub-assembly and top works by following step 1 in reverse.

***Important Note:** Prior to performing service to the FHB stem assembly, water supply to the unit must be shut off and the pressure drained from the valve.

Service to vent float assembly may be performed without shutting off supply as long as FHB is in closed position and pressure is drained from the valve.

CALIFORNIA PROPOSITION 65 WARNING

WARNING: This product contains chemicals known to the State of California to cause cancer and birth defects or other reproductive harm. (California law requires this warning to be given to customers in the State of California.)

For more information: www.watts.com/prop65

Limited Warranty: Watts Regulator Co. (the "Company") warrants each product to be free from defects in material and workmanship under normal usage for a period of one year from the date of original shipment. In the event of such defects within the warranty period, the Company will, at its option, replace or recondition the product without charge.

THE WARRANTY SET FORTH HEREIN IS GIVEN EXPRESSLY AND IS THE ONLY WARRANTY GIVEN BY THE COMPANY WITH RESPECT TO THE PRODUCT. THE COMPANY MAKES NO OTHER WARRANTIES, EXPRESS OR IMPLIED. THE COMPANY HEREBY SPECIFICALLY DISCLAIMS ALL OTHER WARRANTIES, EXPRESS OR IMPLIED, INCLUDING BUT NOT LIMITED TO THE IMPLIED WARRANTIES OF MERCHANTABILITY AND FITNESS FOR A PARTICULAR PURPOSE.

The remedy described in the first paragraph of this warranty shall constitute the sole and exclusive remedy for breach of warranty, and the Company shall not be responsible for any incidental, special or consequential damages, including without limitation, lost profits or the cost of repairing or replacing other property which is damaged if this product does not work properly, other costs resulting from labor charges, delays, vandalism, negligence, fouling caused by foreign material, damage from adverse water conditions, chemical, or any other circumstances over which the Company has no control. This warranty shall be invalidated by any abuse, misuse, misapplication, improper installation or improper maintenance or alteration of the product.

Some States do not allow limitations on how long an implied warranty lasts, and some States do not allow the exclusion or limitation of incidental or consequential damages. Therefore the above limitations may not apply to you. This Limited Warranty gives you specific legal rights, and you may have other rights that vary from State to State. You should consult applicable state laws to determine your rights. **SO FAR AS IS CONSISTENT WITH APPLICABLE STATE LAW, ANY IMPLIED WARRANTIES THAT MAY NOT BE DISCLAIMED, INCLUDING THE IMPLIED WARRANTIES OF MERCHANTABILITY AND FITNESS FOR A PARTICULAR PURPOSE, ARE LIMITED IN DURATION TO ONE YEAR FROM THE DATE OF ORIGINAL SHIPMENT.**



Water Safety & Flow Control Products

USA: 815 Chestnut St., No. Andover, MA 01845-6098; www.watts.com

Canada: 5435 North Service Rd., Burlington, ONT. L7L 5H7; www.wattscanada.ca