

Series 009, LF009

Reduced Pressure Zone Assemblies

Sizes 1/4" - 1"

Repair Kits

When ordering specify Ordering Code, Kit No., and Valve Size.

ORDERING CODE	KIT NO.	SIZE	LIST PRICE
---------------	---------	------	------------

Total Repair Kits

ORDERING CODE	KIT NO.	SIZE	LIST PRICE
0887298	RK 009-T	1/4" - 1/2"	\$136.00
0888527	RK 009M3-T	3/4"	140.00
0887302	RK 009M2-T	3/4"	140.00
0887283	RK 009-T	3/4" - 1"	225.50
0887793	RK 009M2-T	1"	217.00

Kit consists of: relief valve repair kit, first check repair kit, second check repair kit, retainer (if plastic)

Relief Valve Kits

Total Relief Valve Kits

ORDERING CODE	KIT NO.	SIZE	LIST PRICE
0887294	RK 009 VT	1/4" - 1/2"	\$98.00
0887509	RK SS009 VT	1/2"	99.75
0887002	RK 009M2 VT	3/4"	123.00
0887520	RK SS009M2/M3 VT	1/4" - 3/4"	125.50
0888524	RK 009M3 VT	3/4"	123.00
0887015	RK 009 VT	3/4" - 1"	174.50
0887503	RK SS009VT	1"	171.50
0887785	RK 009M2 VT	1"	168.00

Kit consists of: seat, seat O-ring, stem & diaphragm assembly, stem O-ring, cover O-ring and RV spring.

Relief Valve Rubber Parts Kits

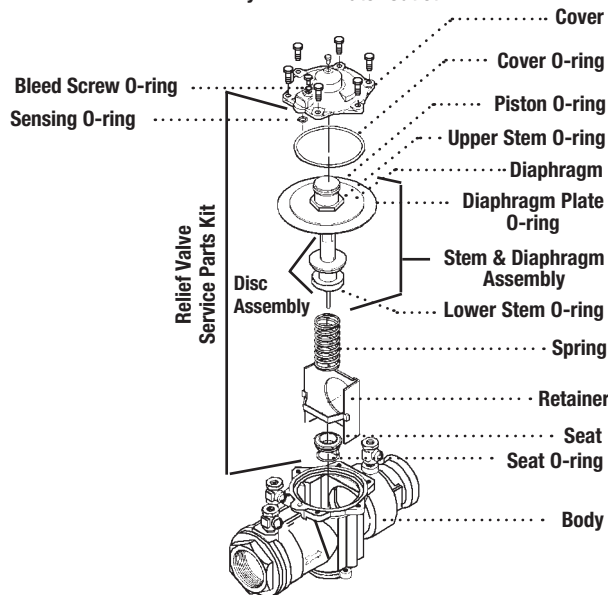
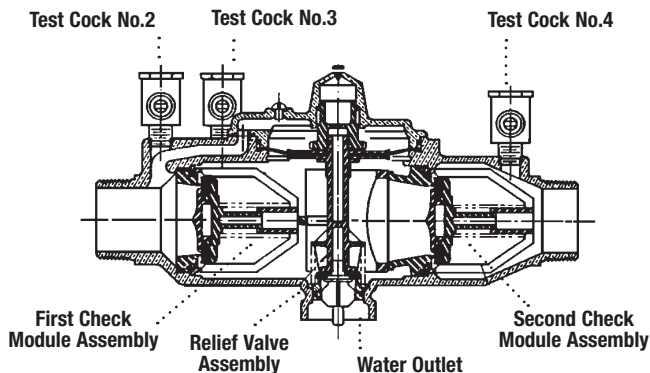
ORDERING CODE	KIT NO.	SIZE	LIST PRICE
0887295	RK 009 RV	1/4" - 1/2"	42.00
0887510	RK SS009 RV	1/2"	43.25
0886998	RK 009M2 RV	3/4"	47.75
0887519	RK SS009M2/M3 RV	1/4" - 3/4"	51.00
0888523	RK 009M3 RV	3/4"	47.75
0887181	RK 009 RV	3/4" - 1"	49.25
0887529	RK SS009 RV	3/4" - 1"	51.00
0887786	RK 009M2 RV	1"	47.75

Kit consists of: diaphragm, disc assembly, stem O-rings, seat O-ring and cover O-ring.

Total Rubber Parts Kits

ORDERING CODE	KIT NO.	SIZE	LIST PRICE
0887297	RK 009 RT	1/4" - 1/2"	66.75
0887511	RK SS009 RT	1/2"	68.00
0886999	RK 009M2 RT	3/4"	71.00
0887521	RK SS009M2 RT	1/4" - 3/4"	76.25
0888597	RK SS009M3 RT	1/4" - 3/4"	76.25
0888526	RK 009M3 RT	3/4"	74.00
0887182	RK 009 RT	3/4" - 1"	74.00
0887530	RK SS009 RT	1"	76.25
0887787	RK 009M2 RT	1"	71.00

Kit consists of: diaphragm, two disc assemblies, stem O-rings, cover O-ring, two seat O-rings and RV seat O-ring.



ORDERING CODE	KIT NO.	SIZE	LIST PRICE
---------------	---------	------	------------

Cover Kits

ORDERING CODE	KIT NO.	SIZE	LIST PRICE
0794044	LFK 009 C	1/4" - 1/2"	\$62.75
0887500	RK SS009 C	1/2"	176.50
0887013	RK 009 C	3/4" - 1"	99.75
0887501	RK SS009M2/M3 C	1/4" - 3/4"	196.50
0794045	LFK 009M2/M3 C	3/4"	69.75
0887502	RK SS009 C	1"	285.50
0794046	LFK 009M2 C	1"	110.50

Kit consists of: cover and cover O-ring.

*The wetted surface of this product contacted by consumable water contains less than 0.25% of lead by weight.

2

Reduced Pressure Zone Assemblies

Series 009, LF009

Reduced Pressure Zone Assemblies

Sizes 1 1/4" – 2"

Repair Kits

When ordering specify Ordering Code, Kit No., and Valve Size.

ORDERING CODE	KIT NO.	SIZE	LIST PRICE
---------------	---------	------	------------

Total Repair Kits

LEAD FREE	ORDERING CODE	KIT NO.	SIZE	LIST PRICE
	0887794	RK 009M2-T	1 1/4"– 1 1/2"	\$346.50
	0887284	RK 009-T	1 1/4"– 2"	443.00
	0887269	RK 009M1-T	1 1/4"– 2"	429.00
LEAD FREE	0887795	RK 009M2-T	2"	421.50

Kit consists of: relief valve repair kit, first check repair kit, second check repair kit, retainer (if plastic)

Relief Valve Kits

Relief Valve Total Kits

LEAD FREE	ORDERING CODE	KIT NO.	SIZE	LIST PRICE
	0887307	RK 009M2 VT	1 1/4"– 1 1/2"	\$ 228.00
	0887277	RK 009M1 VT	1 1/4"– 2"	323.00
	0887016	RK 009 VT	1 1/4"– 2"	336.00
LEAD FREE	0887545	RK 009M2 VT	2"	317.00

Kit consists of: RV assembly, seat, seat O-ring, cover O-ring, sensing passage O-ring and upper stem O-ring and RV spring.

Relief Valve Rubber Parts Kits

LEAD FREE	ORDERING CODE	KIT NO.	SIZE	LIST PRICE
	0887306	RK 009M2 RV	1 1/4"– 1 1/2"	55.75
	0887276	RK 009M1 RV	1 1/4"– 2"	58.25
	0887184	RK 009 RV	1 1/4"– 2"	62.75
LEAD FREE	0887544	RK 009M2 RV	2"	57.00

Kit consists of: diaphragm, seat O-ring, cover O-ring and sensing passage O-ring.

Complete Rubber Parts Kits

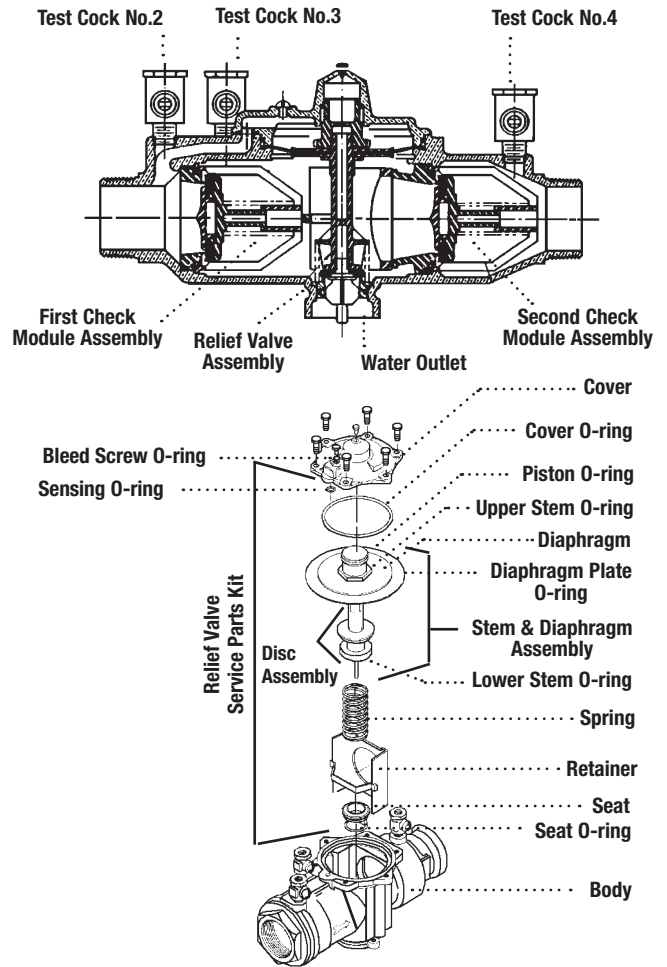
LEAD FREE	ORDERING CODE	KIT NO.	SIZE	LIST PRICE
	0887309	RK 009M2 RT	1 1/4"– 1 1/2"	110.00
	0887185	RK 009 RT	1 1/4"– 2"	154.00
	0887280	RK 009M1 RT	1 1/4"– 2"	119.00
LEAD FREE	0887547	RK 009M2 RT	2"	111.50

Kit consists of: two check assembly O-rings, two disc assemblies, one cover O-ring, one RV diaphragm, one RV seat O-ring, one sensing passage O-ring, one diaphragm plate O-ring, one RV lower stem O-ring, one RV upper stem O-ring, one RV disc assembly and one bleed screw O-ring.

Cover Kits

LEAD FREE	ORDERING CODE	KIT NO.	SIZE	LIST PRICE
	0794047	LFRK 009M2 C	1 1/4"– 1 1/2"	141.50
	0794048	LFRK 009M2 C	2" 009M2, 1 1/4" - 2" 009/009M1	160.00

Kit consists of: cover, cover O-ring sensing passage O-ring, bleed screw O-ring, vent hood and bleed screw.



2

Reduced Pressure Zone Assemblies

*The wetted surface of this product contacted by consumable water contains less than 0.25% of lead by weight.

Series 009, LF009

Reduced Pressure Zone Assemblies

Sizes 1/4" – 2"

Check valve kits

When ordering specify Ordering Code, Kit No., and Valve Size.

1/4" – 1"

ORDERING CODE	KIT NO.	SIZE	LIST PRICE
---------------	---------	------	------------

First Check Kits

0887291	RK 009 CK1	1/4" – 1/2"	\$42.00
0887505	RK SS009 CK1	1/2" – 3/4"	43.25
0887000	RK 009M2 CK1	3/4"	35.25
0887515	RK SS009M3 CK1	1/4" – 3/4"	35.75
0888520	RK 009M3 CK1	3/4"	35.25
0887005	RK 009 CK1	3/4" – 1"	66.25
0887009	RK 009 CK1SS	3/4" – 1"	245.50
0887525	RK SS009 CK1	1"	65.00
0887789	RK 009 M2 CK1	1"	64.00

Kit consists of: check assembly and cover O-ring.

Second Check Kits

0887292	RK 009 CK2	1/4" – 1/2"	41.00
0887506	RK SS009 CK2	1/2" – 3/4"	41.75
0887001	RK 009M2 CK2	3/4"	29.00
0887516	RK SS009M3 CK2	1/4" – 3/4"	29.50
0888521	RK 009M3 CK2	3/4"	29.00
0887007	RK 009 CK2	3/4" – 1"	60.25
0887011	RK 009 CK2SS	3/4" – 1"	211.50
0887526	RK SS009 CK2	1"	59.25
0887790	RK 009M2 CK2	1"	58.25

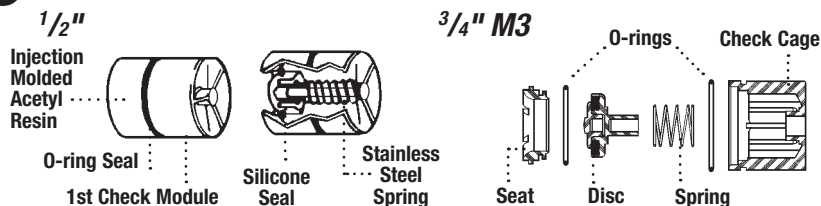
Kit consists of: check assembly and cover O-ring.

Check Rubber Parts

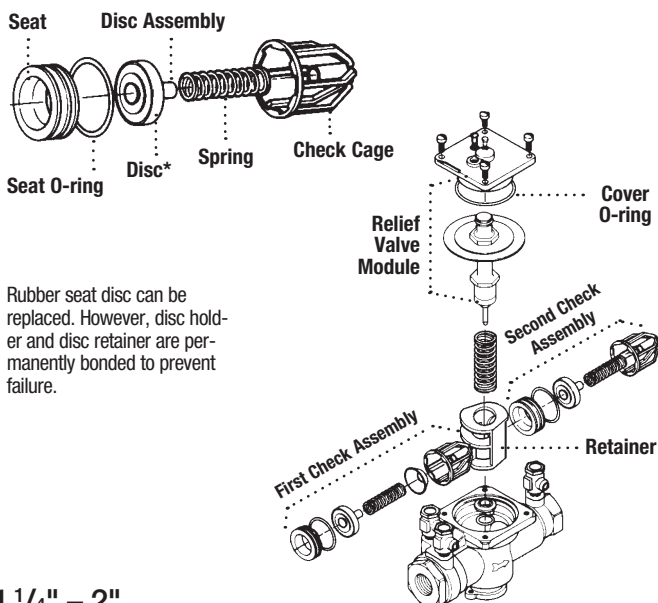
0887293	RK 009 RC3	1/4" – 1/2"	25.00
0887507	RK SS009 RC1	1/2" – 3/4"	25.50
0887508	RK SS009 RC2	1/2" – 3/4"	25.50
0887003	RK 009M2 RC3	3/4"	24.00
0888595	RK SS009M3 RC1	1/4" – 3/4"	25.50
0888596	RK SS009M3 RC2	1/4" – 3/4"	25.50
0888522	RK 009M3 RC3	3/4"	24.00
0887017	RK 009 RC1	3/4" – 1"	12.75
0887180	RK 009 RC2	3/4" – 1"	12.75
0887527	RK SS009 RC1	1"	13.00
0887528	RK SS009 RC2	1"	13.00
0887791	RK 009M2 RC1	1"	12.50
0887792	RK 009M2 RC2	1"	12.50

Kit consists of: disc, cover O-ring and seat O-ring.

CHECK ASSEMBLIES



1" – 2"



Rubber seat disc can be replaced. However, disc holder and disc retainer are permanently bonded to prevent failure.

1 1/4" – 2"

ORDERING CODE	KIT NO.	SIZE	LIST PRICE
---------------	---------	------	------------

First Check Kits

0887300	RK 009M2 CK1	1 1/4" – 1 1/2"	\$121.50
0887270	RK 009M1 CK1	1 1/4" – 2"	132.50
0887006	RK 009 CK1	1 1/4" – 2"	135.00
0887010	RK 009 CK1SS	1 1/4" – 2"	350.00
0887272	RK 009M1 CK1SS	1 1/4" – 2"	336.00
0887540	RK 009M2 CK1	2"	130.00

Kit consists of: first check assembly, cover O-ring and sensing passage O-ring.

Second Check Kits

0887301	RK 009M2 CK2	1 1/4" – 1 1/2"	113.50
0887271	RK 009M1 CK2	1 1/4" – 2"	118.00
0887008	RK 009 CK2	1 1/4" – 2"	120.00
0887012	RK 009 CK2SS	1 1/4" – 2"	302.00
0887273	RK 009M1 CK2SS	1 1/4" – 2"	290.50
0887541	RK 009M2 CK2	2"	115.50

Kit consists of: second check assembly, cover O-ring and sensing passage O-ring.

First Check Rubber Parts Kits

0887304	RK 009M2 RC1	1 1/4" – 1 1/2"	25.75
0887274	RK 009M1 RC1	1 1/4" – 2"	30.75
0887018	RK 009 RC1	1 1/4" – 2"	45.50
0887542	RK 009M2 RC1	2"	27.25

Kit consists of: first check assembly O-ring, disc holder assembly, cover O-ring and sensing passage O-ring.

Second Check Rubber Parts Kits

0887305	RK 009M2 RC2	1 1/4" – 1 1/2"	25.75
0887275	RK 009M1 RC2	1 1/4" – 2"	30.75
0887183	RK 009 RC2	1 1/4" – 2"	45.75
0887543	RK 009M2 RC2	2"	27.25

Kit consists of: second check assembly O-ring, disc holder assembly, cover O-ring and sensing passage O-ring.

*The wetted surface of this product contacted by consumable water contains less than 0.25% of lead by weight.

2

Reduced Pressure Zone Assemblies

Series 009, LF009

Reduced Pressure Zone Assemblies

Sizes 2 1/2" – 3"

Repair Kits

When ordering specify Ordering Code, Kit No., and Valve Size.

ORDERING CODE	KIT NO.	SIZE	LIST PRICE
---------------	---------	------	------------

Total Repair Kits»

LEAD FREE	0794051	LFRK 009-T	2 1/2" – 3"	\$1,368.00
-----------	---------	------------	-------------	------------

Kit consists of: relief valve repair kit, first check repair kit, second check repair kit, retainer (if plastic)

Relief Valve Kits

Total Relief Valve Kit»

LEAD FREE	0794052	LFRK 009 VT	2 1/2" – 3"	744.50
-----------	---------	-------------	-------------	--------

Kit consists of: seat, stem assembly, spring, two piston O-rings, flow tube O-ring and cover O-ring.

Relief Valve Rubber Parts»

LEAD FREE	0794053	LFRK 009 RV	2 1/2" – 3"	134.50
-----------	---------	-------------	-------------	--------

Kit consists of: diaphragm, disc, molded disc assembly, piston O-ring, stem O-ring and cover O-ring.

Stem O-ring located between stem and piston O-ring.

Check valve kits

When ordering specify Ordering Code, Kit No., and Valve Size.

ORDERING CODE	KIT NO.	SIZE	LIST PRICE
---------------	---------	------	------------

First Check Parts Kit»

LEAD FREE	0794054	LFRK 009 CK1	2 1/2" – 3"	\$548.00
-----------	---------	--------------	-------------	----------

Second Check Parts Kit»

LEAD FREE	0794055	LFRK 009 CK2	2 1/2" – 3"	531.50
-----------	---------	--------------	-------------	--------

Kit consists of: check assembly, cover O-ring and flow tube O-ring.

First Check Rubber Parts Kit

LEAD FREE	0887281	RK 009 RC1	2 1/2" – 3"	65.25
-----------	---------	------------	-------------	-------

Second Check Rubber Parts Kit

LEAD FREE	0887205	RK 009 RC2	2 1/2" – 3"	59.25
-----------	---------	------------	-------------	-------

Kit consists of: disc, seat O-ring, cover O-ring and flow tube O-ring.

Total Rubber Parts

LEAD FREE	0794056	LFRK 009 RT	2 1/2" – 3"	206.50
-----------	---------	-------------	-------------	--------

Kit consists of: diaphragm, two molded disc assemblies, two seat O-rings, RV O-ring, two piston O-rings, RV stem O-ring, flow tube O-ring and cover O-ring.

Cover Kit

LEAD FREE	0887282	RK 009 C	2 1/2" – 3"	413.00
-----------	---------	----------	-------------	--------

Kit consists of: cover, cover O-ring and flow tube O-ring.

Check Seat Kit

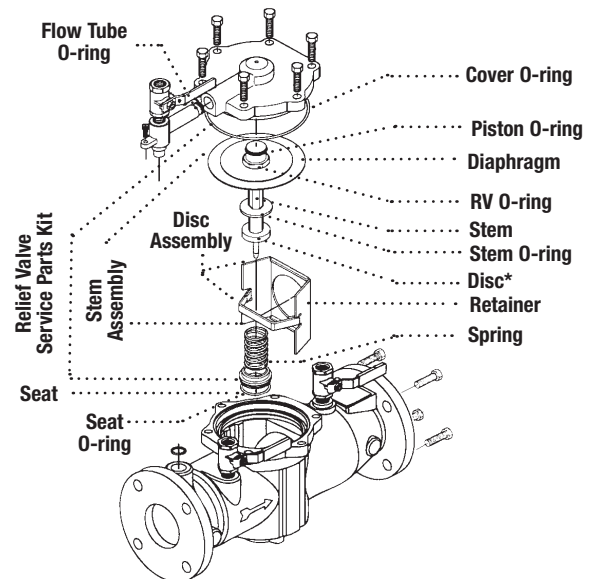
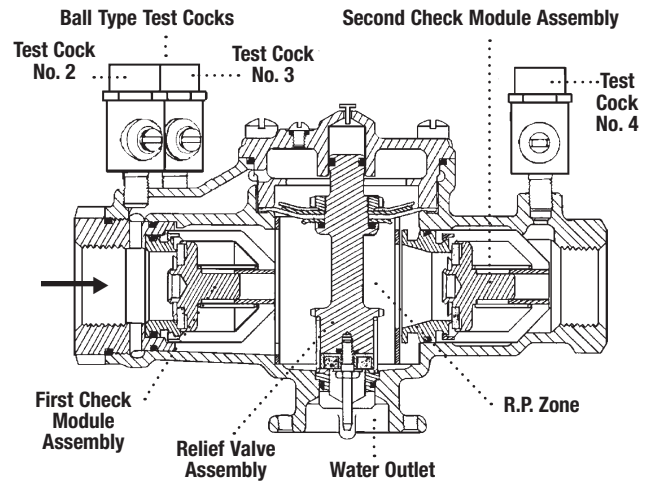
LEAD FREE	0887208	RK 009 S1	2 1/2" – 3"	103.00
LEAD FREE	0887209	RK 009 S2	2 1/2" – 3"	103.00

Kit consists of: check seat, seat O-ring and cover O-ring.

Rubber seat disc can be replaced. However, disc holder and disc retainer are permanently bonded to prevent failure.

First and Second Check Valve modules are not interchangeable.

*The wetted surface of this product contacted by consumable water contains less than 0.25% of lead by weight.



Check Assemblies

