

# Schedule 40

## Innovator Plus® 940/941

Combines the Innovator® Overflow Assembly and the Perfect Fit® Drain Assembly

### Sturdy 1.5" Schedule 40 PVC or ABS Solvent-Weld Assembly

#### SPECIFICATIONS

#### FEATURES:

- Eliminates all screws
- Eliminates need for separate overflow test plug
- Eliminates leaks due to loose overflow attachment
- Hand-adjustable flange allows a tight-fitting overflow flange on a wide range of tub angles.
- Reversible tee and elbow for direct-drain application

#### APPROVALS (940/941 models):

- Manufactured in compliance with ASME A112.18.2-2005/CSA B125.2-2005.

#### PATENTS (Innovator®):

- U.S. Pat. Numbers 5,890,241; 6,637,050; 6,675,406; 7,127,752; and Patents Pending
- Canadian Patent Number 2,437,448
- Mexican Patent Numbers PA/a/2003007344; PA/a/2005002784

#### THREAD SIZE (Strainer Body and Drain Elbow):

- 1<sup>3</sup>/<sub>8</sub>" - 16 NPSM (Fine Thread)
- 1.625" Major Diameter (outside thread diameter)
- 16 threads per inch

#### PIPING:

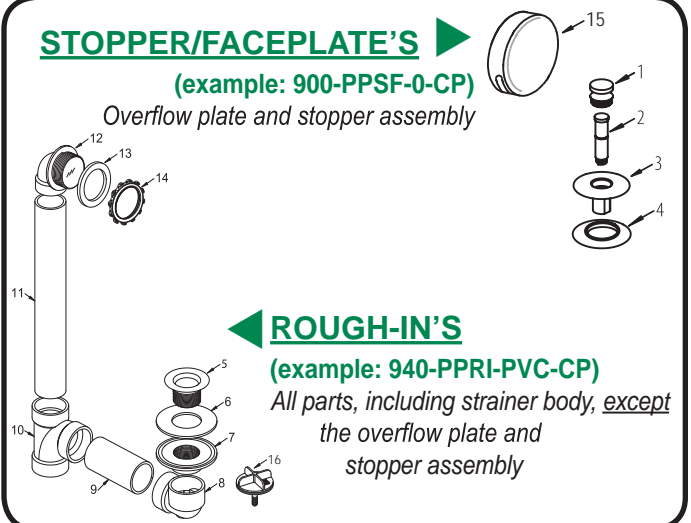
- PVC
- ABS

#### ROUGH-IN (RI's) and STOPPER/FACEPLATE (SF's)

##### STOPPER/FACEPLATE'S

(example: 900-PPSF-0-CP)

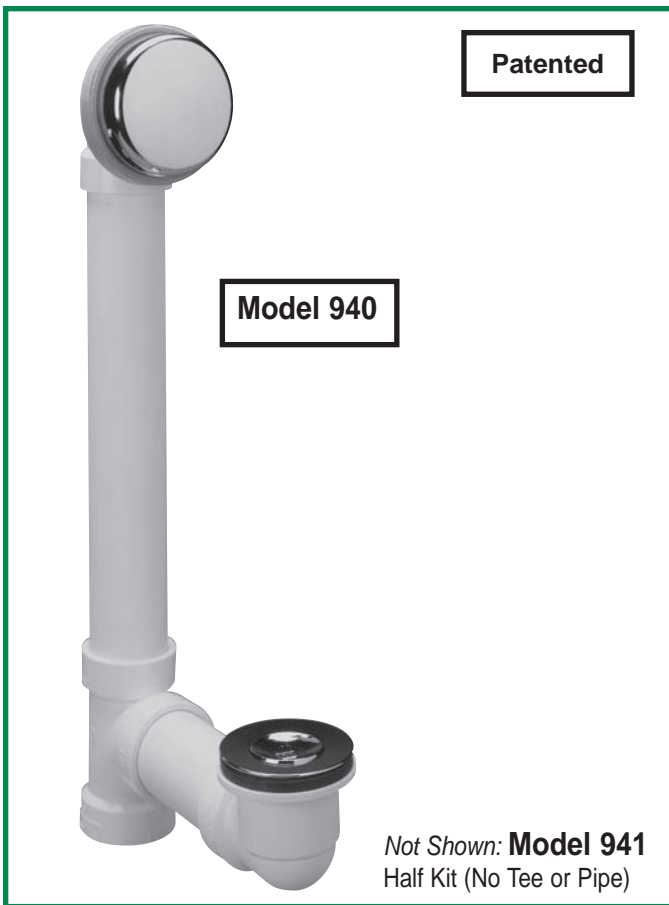
Overflow plate and stopper assembly



##### ROUGH-IN'S

(example: 940-PPRI-PVC-CP)

All parts, including strainer body, except the overflow plate and stopper assembly



### Special Features of the 940:



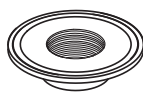
Includes built-in test membrane

Easily remove membrane after test

Snap-on overflow plate. No screws



Drain Flange Gasket



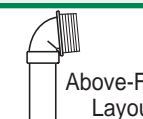
Perfect Fit Drain Flange



Perfect Fit Drain Elbow



Standard Layout



Above-Floor Layout

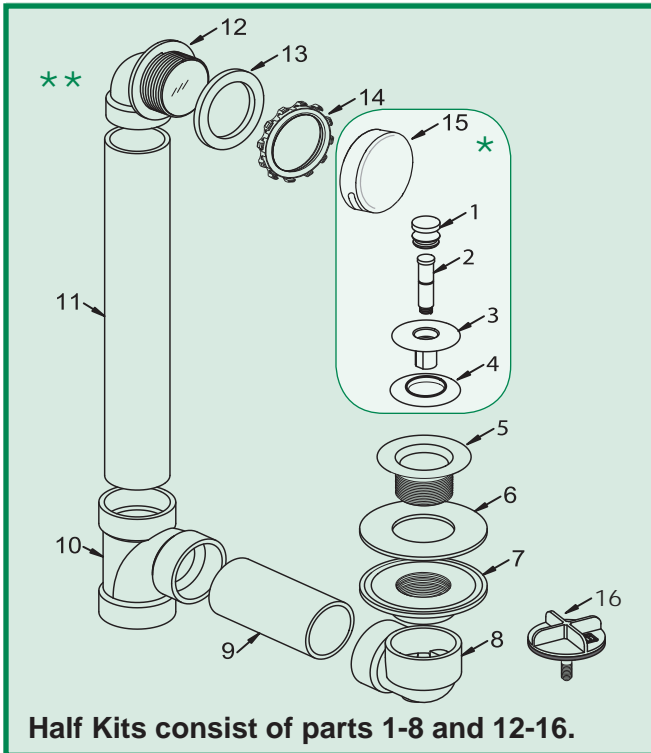


Direct-Drain Layout



For More Information Contact:  
**WATCO Manufacturing Company**  
 1220 South Powell Road  
 Independence, MO 64057-2724  
 Ph. 816-796-3900 • FAX 816-796-0875  
[www.watcomfg.com](http://www.watcomfg.com)

# 940/941 Series Parts List



Item	Part #	Description
1.	01010CP	Knob, Brass
2.	11510	Friction Ring (11505) and Post (11532)
3.	01013CP	Stopper, Brass
4.	11507	Seal, 1/16" dia.
5.	01022CP	Strainer Body, 1.625" - 16 - 1.25", Metal
6.	10693	Drain Flange Gasket, Perfect Fit®
7.	11022	Drain Flange, Perfect Fit®, ABS
	14022	Drain Flange, Perfect Fit®, PVC
8.	11023	Drain/Overflow Elbow, Perfect Fit®, ABS
	14023	Drain/Overflow Elbow, Perfect Fit®, PVC
9.	SCHABS-4.625...	Pipe, Schedule 40, ABS, 1.5" x 4.625"
	SCHPVC-4.625...	Pipe, Schedule 40, PVC, 1.5" x 4.625"
10.	14011	Sanitary Tee, Schedule 40, ABS
	14010	Sanitary Tee, Schedule 40, PVC
11.	SCHABS-11.75...	Pipe, Schedule 40, ABS, 1.5" x 11.75"
	SCHPVC-11.75...	Pipe, Schedule 40, PVC, 1.5" x 11.75"
12.	11020	Innovator® Overflow Ell, Schedule 40, ABS
	14020	Innovator® Overflow Ell, Schedule 40, PVC
13.	10675	Overflow Ell Washer, Foam
14.	11121	ABS Retainer Star Nut for Innovator®
15.	01004CP	Overflow Plate for Innovator®
16.	11575	Test Plug with O-Ring-type Gasket

\* SF: (example: 900-PPSF) Parts #1 thru #4, and #15

\*\* RI: (example: 940-PPRI) Parts #5 thru #14, and #16

## OPTIONAL TUB CLOSURES FOR 940/941-SERIES BATH WASTES (PUSH PULL® ALSO SHOWN ABOVE)

PUSH PULL® Fine Thread		LIFT & TURN Fine Thread		PRESFLO® Fine Thread		FOOT ACTUATED Fine Thread	
	1. 01010CP 01010_* 2. 11510 3. 01013CP 01013_* 4. 11507 5. 01022CP 01022_*		1. 01010CP 01010_* 2. 11079 3. 11088 4. 11290CP 01013_* 5. 11507 6. 01022CP 01022_*		1. 11155CP 11155_* 2. 11131 3. 11070CP 11070_* 4. 96039: Suction Cup for removing stopper		1. 38412CP 38412_* 2. 11491CP 01022_*

U.S. Pat. No. 4,720,877      U.S. Pat. No. 5,758,368      U.S. Pat. No. 4,457,030

\*If finish other than Chrome is desired, please use this part number and indicate desired finish.

## Finishes Available in the 940/941 Series:

Tub Closures:	PUSH PULL®	LIFT & TURN	PRESFLO®	FOOT ACT.
CP - Chrome Plated	●	●	●	●
AB - Antique Brass				
AP - Aged Pewter	●	●	●	
BB - Brushed Bronze	●	●	●	
BN - Brushed Nickel	●	●	●	●
BO - Bone	●	●		
BS - Biscuit	●	●		
BZ - Oil-Rubbed Bronze	●	●	●	●
CB - Chrome Brushed	●	●	●	
NP - Nickel Polished	●	●	●	●
PB - Polished Brass	●	●	●	●
PN - Pearl Nickel	●	●	●	
WH - White	●	●		
WI - Wrought Iron	●	●	●	

**ADA**      PRESFLO® (PF)  
Foot Actuated (FA) only

See current price list for complete item numbers and available options.

When ordering, please specify complete item number and any applicable option codes.