



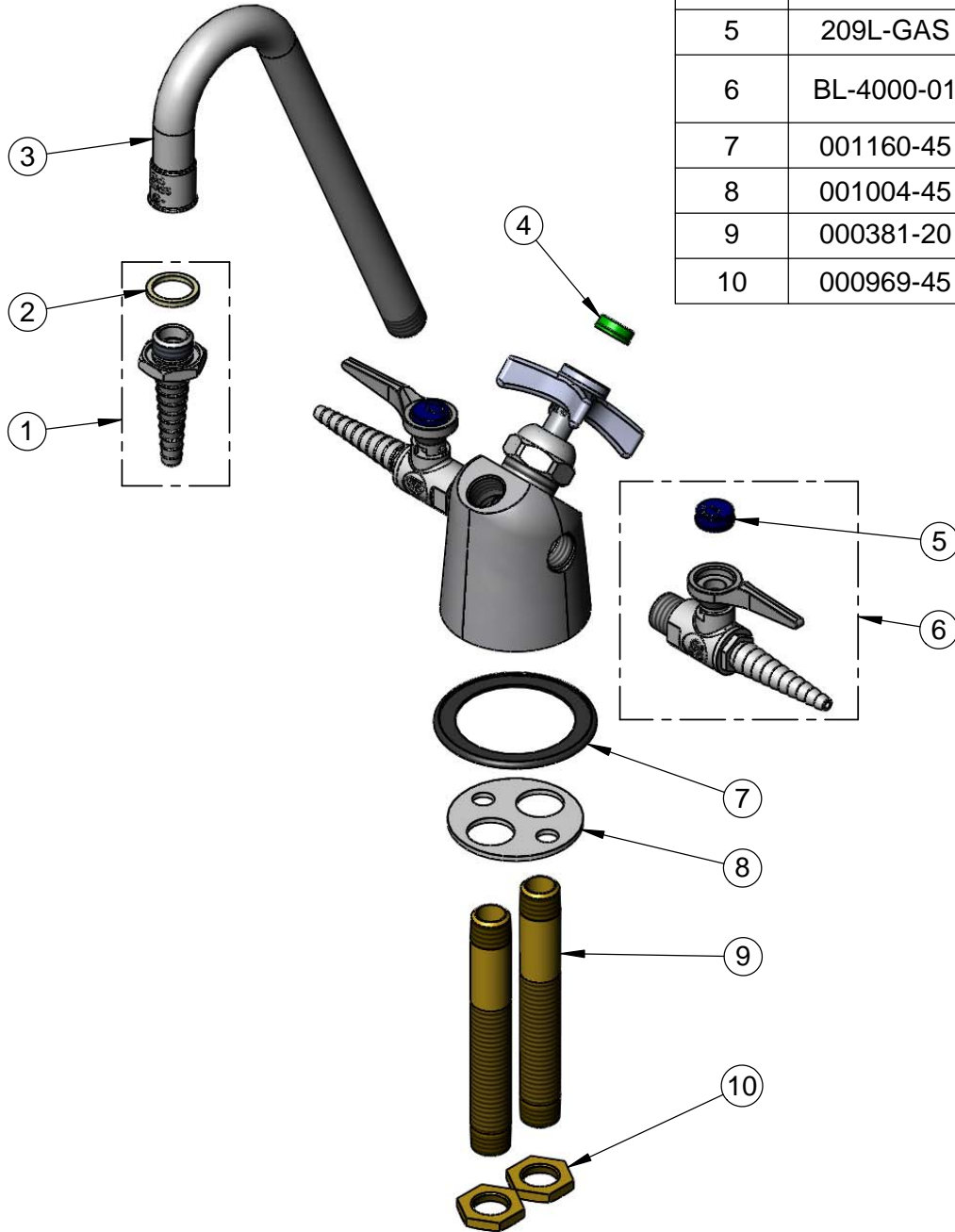
T&S BRASS AND BRONZE WORKS, INC.
 2 Saddleback Cove / P.O. Box 1088
 Travelers Rest, SC 29690

Model No.
BL-6000-02

Item No.

Travelers Rest, SC: 800-476-4103 • Simi Valley, CA: 800-423-0150 • Fax: 864-834-3518 • www.tsbrass.com

| ITEM NO. | SALES NO. | DESCRIPTION |
|----------|------------|--|
| 1 | B-0198 | Serrated Tip |
| 2 | 001051-45 | Washer |
| 3 | 000392-40 | Gooseneck, 3/8", Rigid, Brass |
| 4 | 001191-45 | Green CW Index |
| 5 | 209L-GAS | Cap, Index, Blue, Gas |
| 6 | BL-4000-01 | Ball Valve Hose Cock w/ GAS, AIR & VAC Indexes |
| 7 | 001160-45 | Gasket, BL-6000 |
| 8 | 001004-45 | Washer, Turret BL-6000, Brass |
| 9 | 000381-20 | Nipple, Supply, 3/8" Pipe, Brass |
| 10 | 000969-45 | Nut, Lock, 3/8" NPSL, Brass |



Product Specifications:
 Combination Gas & Water Fixture w/ (2) Ball Valve Gas Cocks,
 6" Rigid Gooseneck w/ Serrated Tip & 3/8" NPT Male Inlets

| | | |
|----------------------|-----------------------|--------------------------|
| Drawn DMH | Checked JRM | Approved JHB |
| Scale: NTS | | Date: 05/21/12 |