

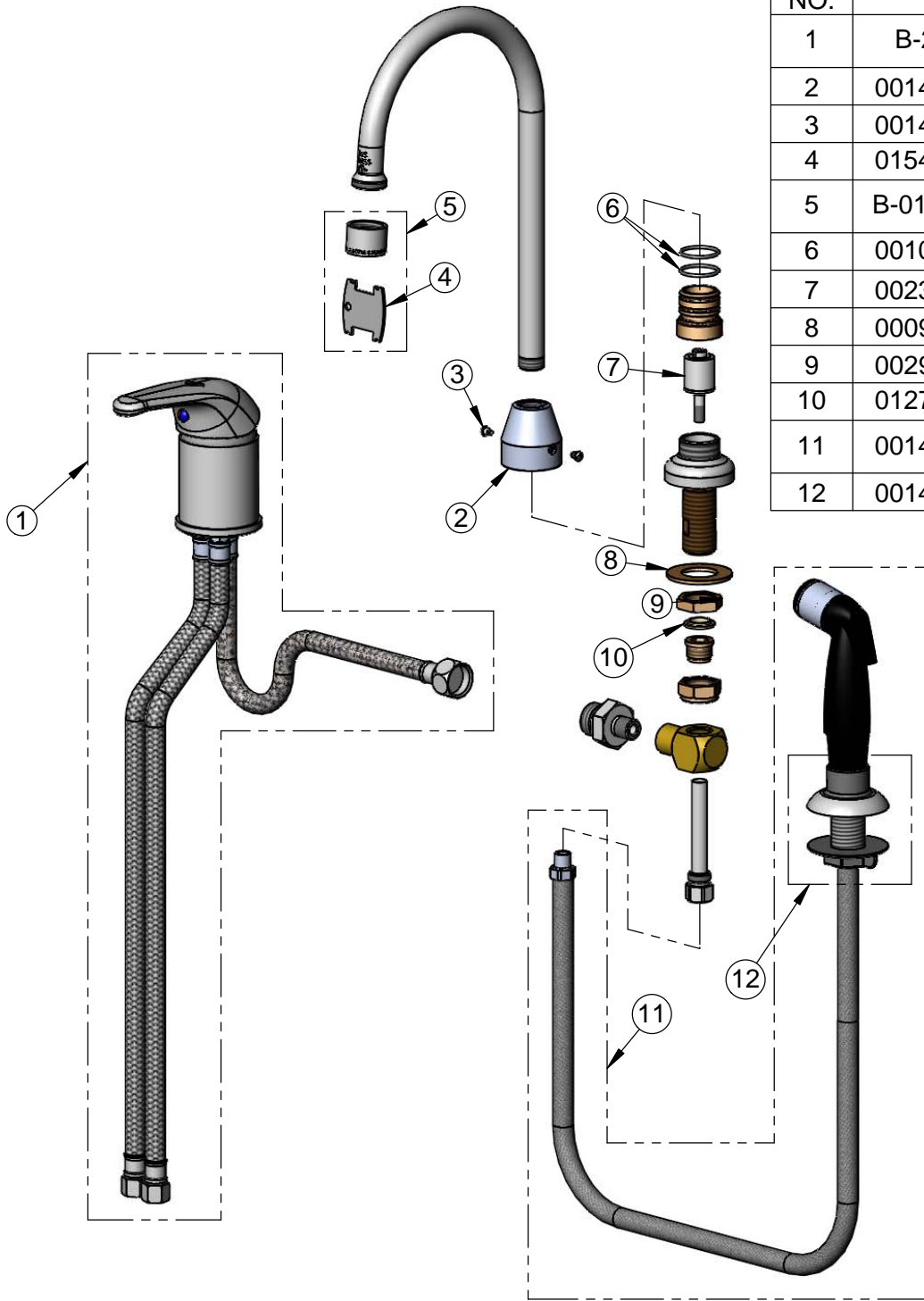


T&S BRASS AND BRONZE WORKS, INC.
 2 Saddleback Cove / P.O. Box 1088
 Travelers Rest, SC 29690

Model No.
B-2743

Item No.

Travelers Rest, SC: 800-476-4103 • Simi Valley, CA: 800-423-0150 • Fax: 864-834-3518 • www.tsbrass.com



| ITEM NO. | SALES NO. | DESCRIPTION |
|----------|-----------|--|
| 1 | B-2740 | Side Mount Single Lever Control Faucet |
| 2 | 001485-40 | B-1172 Diverter Cover |
| 3 | 001486-45 | Diverter Cover Screw |
| 4 | 015425-45 | Vandal Resistant Key |
| 5 | B-0199-06 | VR 2.2 GPM Aerator w/ Key |
| 6 | 001069-45 | O-ring |
| 7 | 002338-45 | Diverter Valve |
| 8 | 000999-45 | Brass Lock Washer |
| 9 | 002954-45 | Shank Lock Nut |
| 10 | 012702-45 | Washer, Cross Body |
| 11 | 001495-45 | 48" Sidespray & Hose Guide, 1/8" NPT |
| 12 | 001496-45 | Hose Guide B-1172 |

Product Specifications:
 Side Mount Faucet w/ Remote On-Off Control Base, 17" Flexible
 Stainless Steel Supply Hoses, Swivel Gooseneck w/ 2.2 GPM
 Vandal Resistant Aerator & 48" Sidespray

| | | |
|----------------------|-----------------------|--------------------------|
| Drawn DHL | Checked DMH | Approved JHB |
| Scale: NTS | | Date: 02/04/14 |