



T&S BRASS AND BRONZE WORKS, INC.
 2 Saddleback Cove / P.O. Box 1088
 Travelers Rest, SC 29690



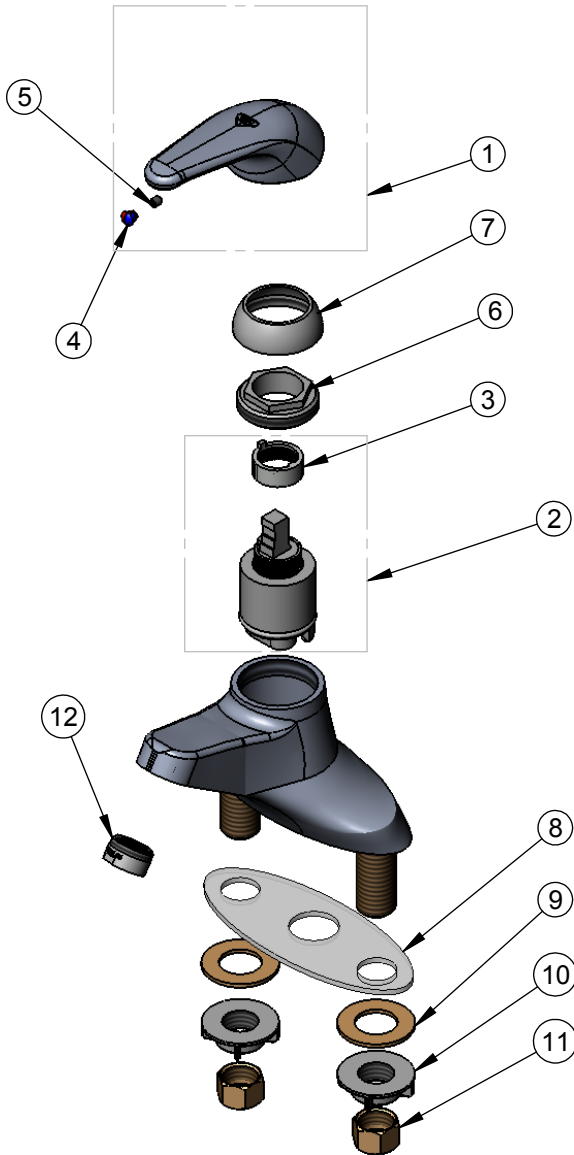
REG. #A2601
 ISO #9001

Model No.
B-2711

Item No.

Travelers Rest, SC: 800-476-4103 Simi Valley, CA: 800-423-0150 Fax: 864-834-3518 www.tsbrass.com

ITEM NO.	SALES NO.	DESCRIPTION
1	013113-45	B-2710 Handle, Single Lever
2	013111-45	B-2710 Cartridge Assembly
3	015400-45	Limit Switch
4	014173-45	Index, Temperature
5	016675-45	Set Screw
6	016663-45	Locking Nut
7	016661-45	Trim Ring
8	014167-45	Deck Gasket
9	000999-45	Brass Lock Washer
10	016673-45	Shank Nut
11	000958-20	Coupling Nut
12	016671-45	Aerator 2.2 GPM



Product Specifications:

4" Centerset Single Lever Faucet
 1/2" NPSM Male Inlet Shanks,
 Temperature Limit Stop & Ceramic Cartridge

Drawn ARH	Checked DHL	Approved JHB
Scale: 1:4		Date: 01/16/08