



T&S BRASS AND BRONZE WORKS, INC.

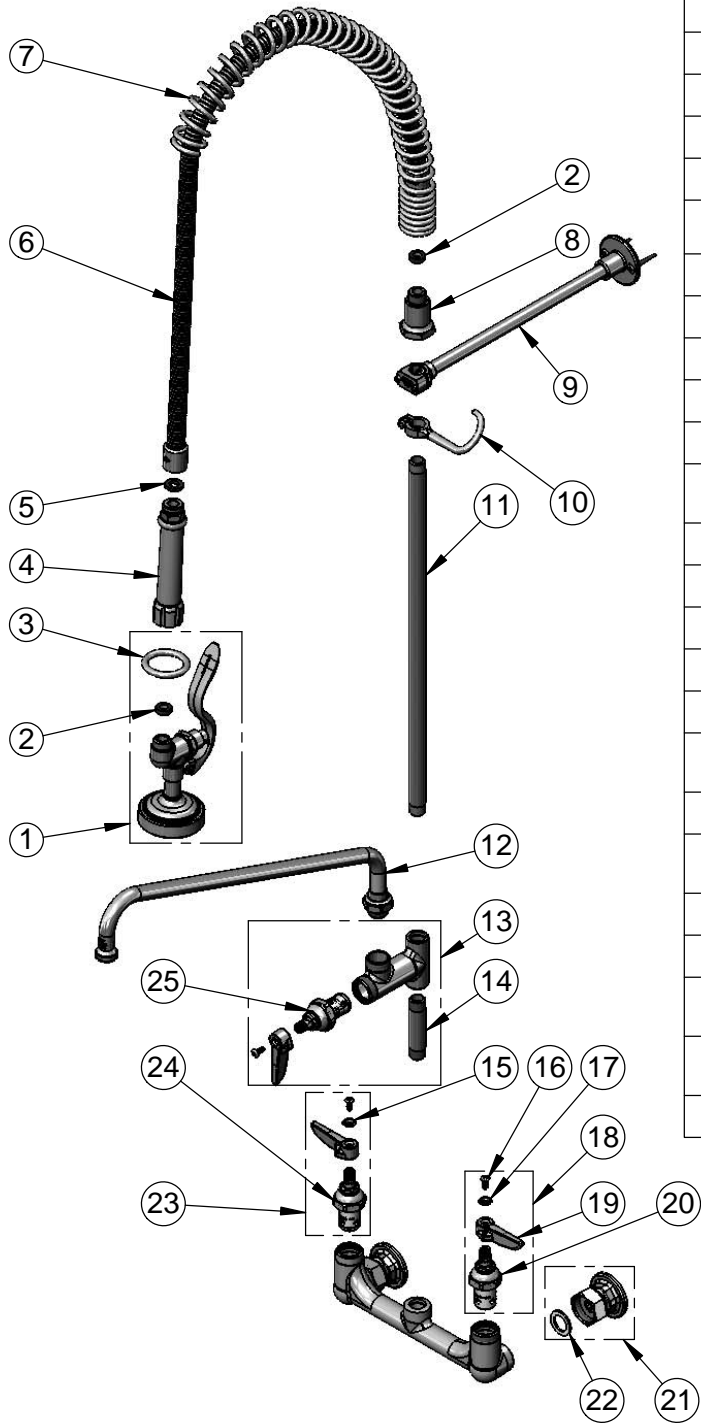
2 Saddleback Cove / P.O. Box 1088
Travelers Rest, SC 29690

Model No.

B-2194

Item No.

Travelers Rest, SC: 800-476-4103 • Simi Valley, CA: 800-423-0150 • Fax: 864-834-3518 • www.tsbrass.com



ITEM NO.	SALES NO.	DESCRIPTION
1	B-0107	Gray Spray Valve
2	010476-45	#27 Washer
3	000907-45	Spray Valve Hold Down Ring
4	002987-40	Gray Grip Handle
5	001014-45	Washer, B-0100 Hose Barrel
6	B-0044-H2A	44" Flexible Stainless Steel Hose, Less Handle
7	000888-45	EasyInstall Overhead Spring
8	000821-40	Spring Body
9	B-0109-03	12" Wall Bracket
10	004R	Finger Hook
11	000369-40	3/8" NPT x 18" Riser
12	064X	16" Swing Nozzle w/ Stream Regulator Outlet
13	B-0155-LN	Add-On Faucet, Less Nozzle
14	000358-40	Nipple, 3/8" NPT x 3"
15	001661-45	Red Index-HW
16	000922-45	Lever Handle Screw
17	001660-45	Blue Index-CW
18	002711-40	Eterna Cartridge, LTC w/ Spring Check, Handle, Index & Screw
19	001638-45	Lever Handle
20	012442-40	Eterna Cartridge, LTC w/ Spring Check
21	00AA	1/2" NPT Female Eccentric Flange
22	001019-45	Coupling Nut Washer
23	002712-40	Eterna Cartridge, RTC w/ Spring Check, Handle, Index & Screw
24	012443-40	Eterna Cartridge, RTC w/ Spring Check
25	005960-40QT	1/4 Turn Eterna Cartridge, RTC

Product Specifications:

Pre-Rinse Unit: 8" Wall Mount Mixing Faucet, Eterna Cartridges w/ Spring Checks, Add-On Faucet, 16" Swing Nozzle w/ Stream Regulator Outlet, 44" Flexible Stainless Steel Hose, 1.42 GPM Spray Valve, 12" Wall Bracket & 1/2" NPT Female Inlets

Drawn

KJG

Checked

DMH

Approved

JHB

Scale:

NTS

Date:

08/16/13