



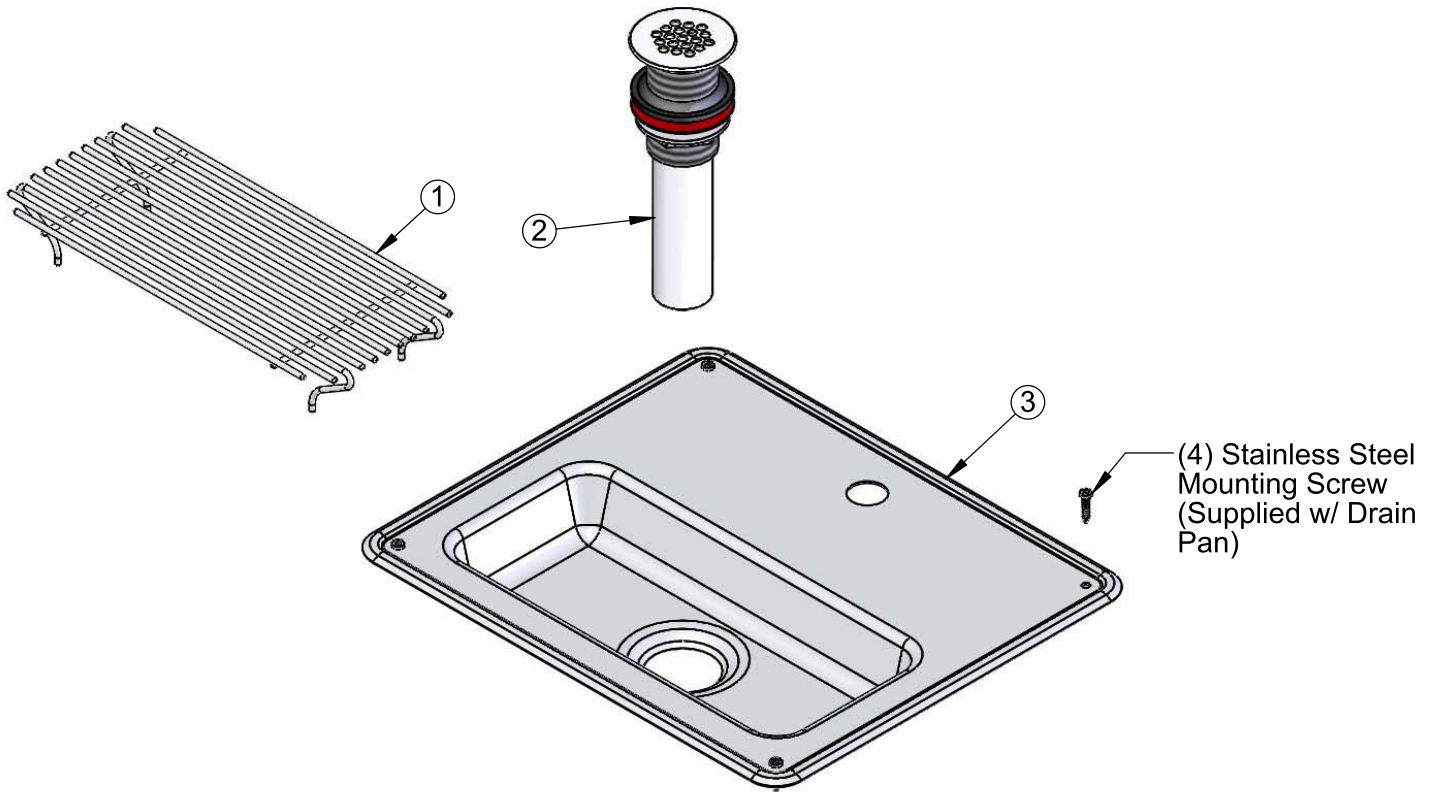
T&S BRASS AND BRONZE WORKS, INC.
 2 Saddleback Cove / P.O. Box 1088
 Travelers Rest, SC 29690

Model No.
B-1231

Item No.

Travelers Rest, SC: 800-476-4103 • Simi Valley, CA: 800-423-0150 • Fax: 864-834-3518 • www.tsbrass.com

| ITEM NO. | SALES NO. | DESCRIPTION |
|----------|-----------|----------------|
| 1 | 183F | Drip Pan Grid |
| 2 | 010126-45 | Drip Pan Drain |
| 3 | 010123-45 | Drip Pan |



Product Specifications:
 18 Gauge Die-Stamped Stainless Steel Drip Pan, Drop-In Grid & Ø 1 1/4" Drain

Product Compliance:
 ASME A112.18.2 / CSA B125.2 (Drain)